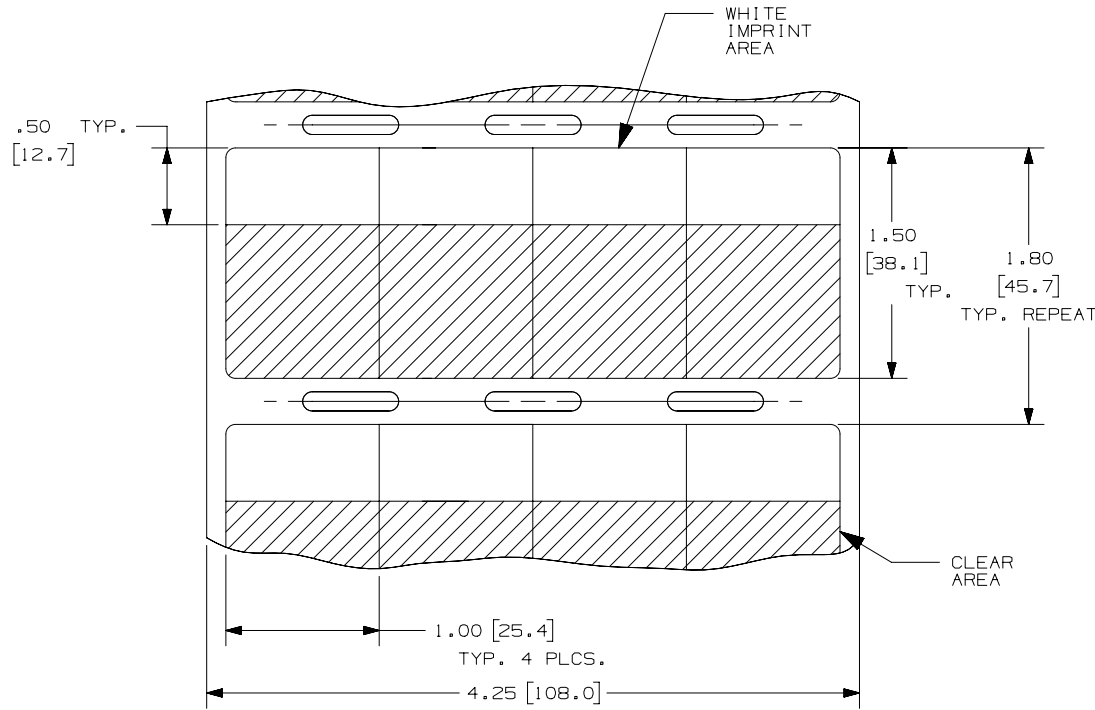


THIS COPY IS PROVIDED ON A RESTRICTED BASIS AND IS NOT TO BE USED IN ANY WAY DETRIMENTAL TO THE INTERESTS OF PANDUIT CORP.

PART NUMBER	MATERIAL	MARKER SIZE inches [mm]	LABELS PER ROW	LABELS PER ROLL
TTSL-2	GMV17	1.00 [25.40] X 1.50 [38.10]	4	2500



NOTES:
1. MILLIMETERS ARE IN [].

REV	DATE	BY	CHK	APR	DESCRIPTION	ECN
0	9/20/16	RVU	SEWH	JHAC	DRAWING RELEASE.	GAECN03638

TITLE TTSL-2 THERMAL TRANSFER SELF-LAMINATING LABEL CUSTOMER DRAWING					
ITEM REVISION NAME 100364BA/14	PANDUIT				
DATASET FILE NAME 100364BA_DC_C11663/14A					
UNLESS OTHERWISE SPECIFIED, DIMENSIONAL TOLERANCES ARE: IN [mm] .x ± .12 [3.05] .xxx ± .025 [.635] .xx ± .062 [1.57] ANGLES ±					
DRAWING NUMBER: C11663					
DRAWN BY RVU	DATE 9/20/16	CHK JHAC	SCALE NTS	SHT 1 OF 1	SIZE A

D10100DA/15