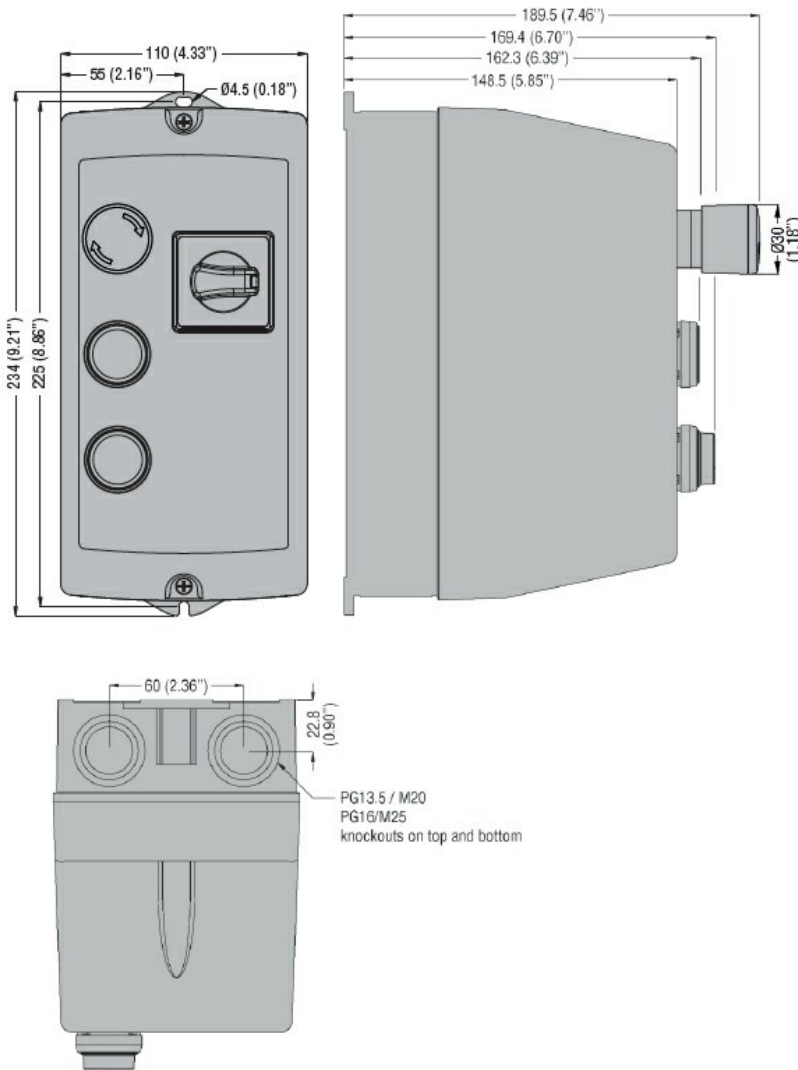




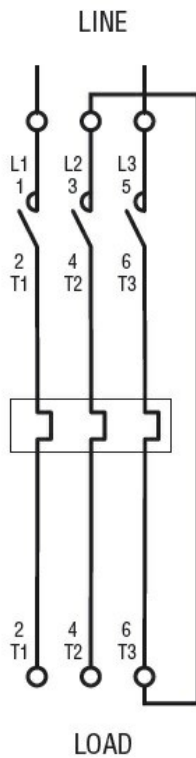
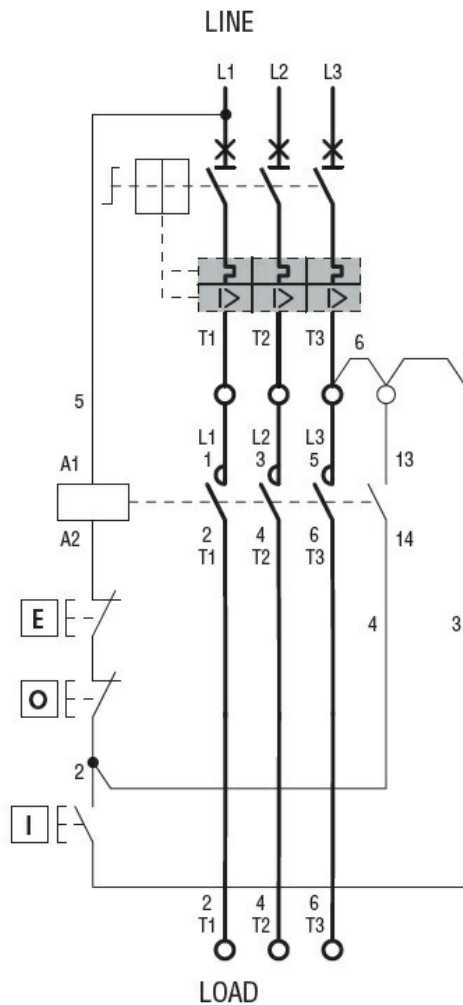
Product designation	Direct-on-line starter		
Product type designation	M2P00911		
<b>Electrical features</b>			
Relay adj range	A	1.6-2.5	
IEC technical characteristics ( $\leq 440V$ )			
	le	A	2.5
	kW	kW	0.75
<b>Mechanical features</b>			
Weight	g	1515	
<b>Ambient conditions</b>			
Operating temperature			
	min	°C	-25
	max	°C	+60
Storage temperature			
	min	°C	-40
	max	°C	+70
<b>Resistance &amp; Protection</b>			
Frontal IP degree	IP65		
<b>Dimensions</b>			



Wiring diagrams

Incorporated button control  
and rotary actuator for 3-phase motors

Power  
connection for 1-phase  
motors



I = Start; O = Stop; E = Emergency Stop

**Certifications and compliance**

Compliance

IEC/EN 60947-1  
IEC/EN 60947-4-1

Certificates

EAC

**ETIM classification**

ETIM 8.0

EC001037 -  
Motor  
starter/Motor  
starter  
combination