



Product designation				Changeover Switch
Product type designation				GLC
Number of poles	Nr.			3
Operating voltage type				AC
Contact characteristics				
IEC Conventional free air thermal current I _{th}	A			200
Rated insulation voltage U _i IEC/EN	V			1000
Rated impulse withstand voltage U _{imp}	kV			12
Operating current I _e				
AC-31B	400V	A	200	
	500V	A	200	
	690V	A	200	
AC-32B	400V	A	200	
	500V	A	200	
	690V	A	200	
AC-33B	400V	A	200	
	500V	A	200	
	690V	A	200	
Power dissipation per pole max	W			4
Rated operational power AC23A	400V	kW	110	
	690V	kW	200	
Rated short time current (1s) I _{cs} (rms)	kA			8
Conditional short-circuit current (rms)	kA			100
Short-circuit protection with fuse	Class/A			gG/200
Making capacity AC23A 400V	A			2000
Breaking capacity AC23A 400V	A			1600
Mechanical life	cycles			20000
Mechanical features				
Operating position	normal allowable		Vertical plan Any	
Fixing	Screw			
Terminals	type			M8 x 20
Tightening torque for terminals	min	Nm	15	
	max	Nm	22	
	min	lbin	132	
	max	lbin	194	
Conductor section				

IEC min	mm ²	70
IEC max	mm ²	185
AWG/kcmil min		00
AWG/kcmil max		400

Ambient conditions

Operating temperature

min	°C	-25
max	°C	+55

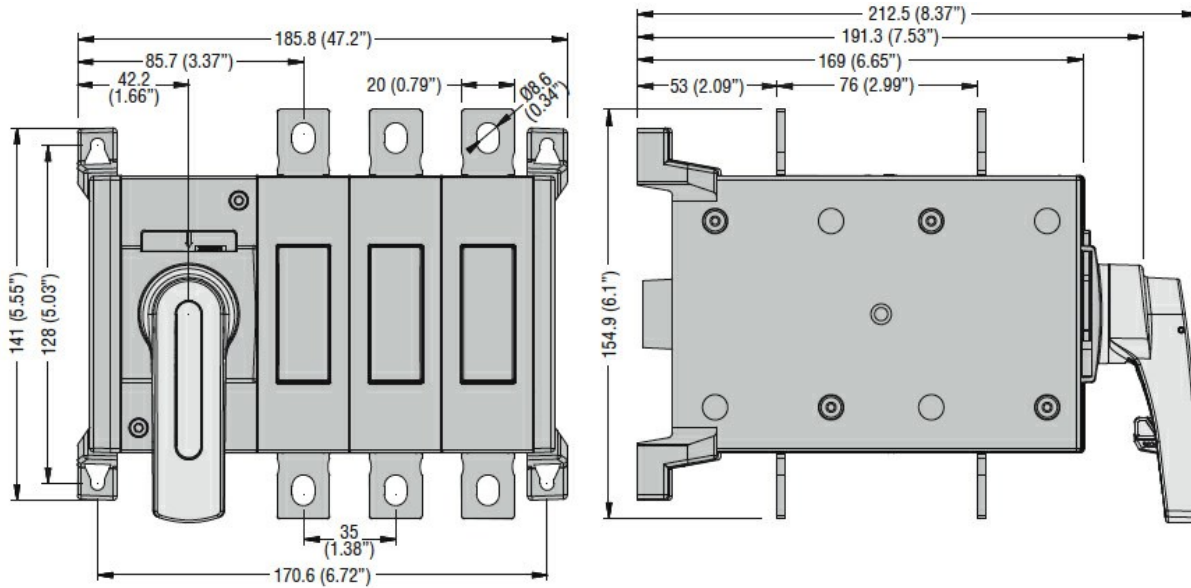
Storage temperature

min	°C	-40
max	°C	+70

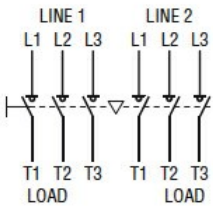
Max altitude

m	3000
---	------

Dimensions



Wiring diagrams



Certifications and compliance

Compliance

IEC/EN 60947-1
IEC/EN 60947-3
IEC/EN 60947-6-1

ETIM classification

ETIM 8.0

EC000216 -
Switch
disconnecter