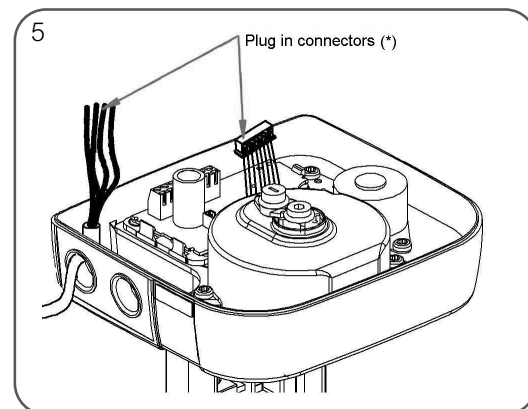
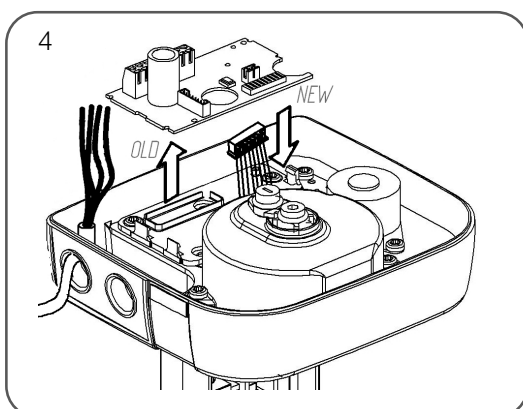
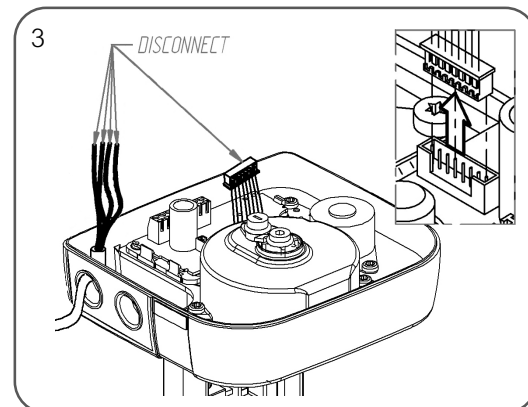
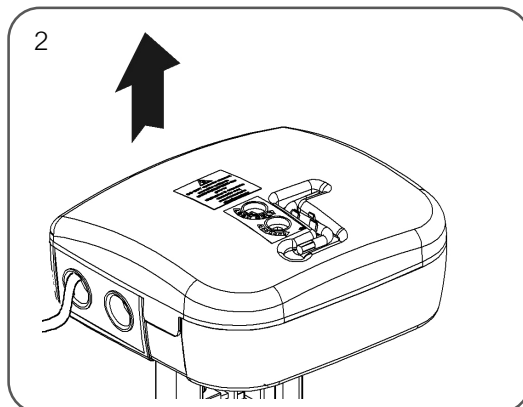
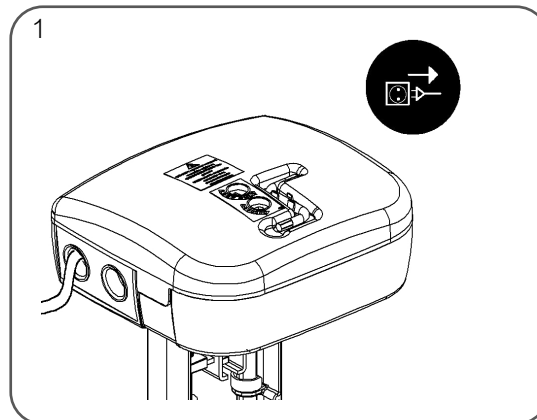


SpaceLogic MG900 SR/MG900C SR

Circuit board

Notice: Hot media hazard. Before removing circuit board from actuator, ensure that the valve is in emergency position. Work should be carried out by a competent engineer.

Part number	Description
MG900-SU-PCB	Circuit board for MG900 SRU
MG900-SD-PCB	Circuit board for MG900 SRD
MG900C-SU-PCB	Circuit board for MG900C SRU
MG900C-SD-PCB	Circuit board for MG900C SRD



(*) See 02-00011 or 02-00014 installation instructions.