

# STS030-HN030-AK22

STS

MOTOR FEEDBACK SYSTEMS ROTARY HIPERFACE®

**SICK**  
Sensor Intelligence.

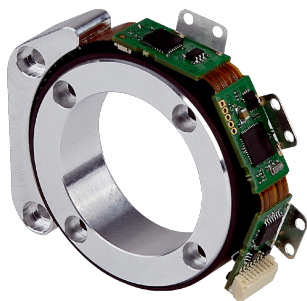


Illustration may differ



### Ordering information

Type	Part no.
STS030-HN030-AK22	1121155

Other models and accessories → [www.sick.com/STS](http://www.sick.com/STS)

### Detailed technical data

#### Features

<b>Items supplied</b>	Magnetic tape not included with delivery
-----------------------	--

#### Performance

<b>Sine/cosine periods per revolution</b>	70
<b>Number of the absolute ascertainable revolutions</b>	1
<b>Total number of steps</b>	2,240 via RS485
<b>Measuring step</b>	4.52 " For interpolation of the sine/cosine signals with, e. g., 12 bits
<b>Available memory area</b>	1,792 Byte
<b>System accuracy</b>	± 0.09° <sup>1)</sup>
<b>Repeatability</b>	0.01° <sup>1)</sup>
<b>Pin length</b>	2 mm

<sup>1)</sup> Typical values for mechanical runout of the system from ≤ 50 µm and +20 °C.

#### Interfaces

<b>Type of code for the absolute value</b>	Binary
<b>Code sequence</b>	Increasing, when turning the shaft For clockwise rotation, looking in direction "A" (see dimensional drawing)
<b>Communication interface</b>	HIPERFACE®

#### Electrical data

<b>Connection type</b>	Male connector, 8-pin
<b>Supply voltage</b>	7 V DC ... 12 V DC
<b>Recommended supply voltage</b>	8 V DC
<b>Current consumption</b>	250 mA <sup>1)</sup>
<b>MTTF: mean time to dangerous failure</b>	190 years (EN ISO 13849) <sup>2)</sup>

<sup>1)</sup> Without load.

<sup>2)</sup> This product is a standard product and does not constitute a safety component as defined in the Machinery Directive. Calculation based on nominal load of components, average ambient temperature 60°C, frequency of use 8760 h/a. All electronic failures are considered hazardous. For more information, see document no. 8015532.

Mechanical data

<b>Shaft version</b>	Through hollow shaft
<b>Material, sensor head</b>	Aluminum
<b>Material, magnetic tape</b>	17410 Hard ferrite 9/28 P
<b>Material, ring</b>	Aluminum
<b>Dimensions</b>	See dimensional drawing
<b>Weight</b>	≤ 0.15 kg (sensor head) ≤ 0.25 kg (Magnetic tape ring)
<b>Moment of inertia of the rotor</b>	85 gcm <sup>2</sup>
<b>Operating speed</b>	10,500 min <sup>-1</sup>
<b>Angular acceleration</b>	≤ 50,000 rad/s <sup>2</sup>
<b>Permissible radial shaft movement</b>	≤ 0.6 mm <sup>1)</sup>
<b>Permissible axial shaft movement</b>	± 0.5 mm <sup>1)</sup>

<sup>1)</sup> Relative to the installation position, as described in the assembly instructions (order nr. 8026831) and in the proposed customer fitting.

Ambient data

<b>Operating temperature range</b>	-30 °C ... +105 °C, sensor head -30 °C ... +100 °C, Magnetic tape ring
<b>Storage temperature range</b>	-30 °C ... +100 °C, without package
<b>Relative humidity/condensation</b>	95 %, Condensation not permitted
<b>Resistance to shocks</b>	100 g, 6 ms (according to EN 60068-2-27)
<b>Frequency range of resistance to vibrations</b>	20 g, 10 Hz ... 2,000 Hz (EN 60068-2-6)
<b>EMC</b>	According to EN 61000-6-2 and EN 61000-6-4 <sup>1)</sup>
<b>Enclosure rating</b>	IP00
<b>Temperature coefficient magnetic tape</b>	(11 ± 1) µm/K/m
<b>Maximum permitted ambient field strength</b>	< 3 kA/m ... 4 kA/m (3.8 mT ... 5 mT), to guarantee compliance with the quoted accuracy values <sup>2)</sup>
<b>Maximum permitted field strength</b>	< 150 kA/m (< 190 mT), to ensure that the magnetic tape is not permanently damaged

<sup>1)</sup> The EMC according to the standards quoted is achieved when the motor feedback system is mounted in an electrically conductive housing, which is connected to the central earthing point of the motor controller via a cable screen. Please observe the information in the mounting instructions (part number 8026831).

<sup>2)</sup> The maximum permitted external field influence is reached when the position value deviates from the original value (without external field influence) by more than 5 µm. This value is reached when, at the sensor location, a field strength of 3 kA/m to 4 kA/m (3.8 mT to 5 mT) occurs in addition to the field strength of the magnetic tape.

Classifications

<b>ECLASS 5.0</b>	27270590
<b>ECLASS 5.1.4</b>	27270590
<b>ECLASS 6.0</b>	27270590
<b>ECLASS 6.2</b>	27270590
<b>ECLASS 7.0</b>	27270590
<b>ECLASS 8.0</b>	27270590
<b>ECLASS 8.1</b>	27270590
<b>ECLASS 9.0</b>	27270590
<b>ECLASS 10.0</b>	27273805
<b>ECLASS 11.0</b>	27273901

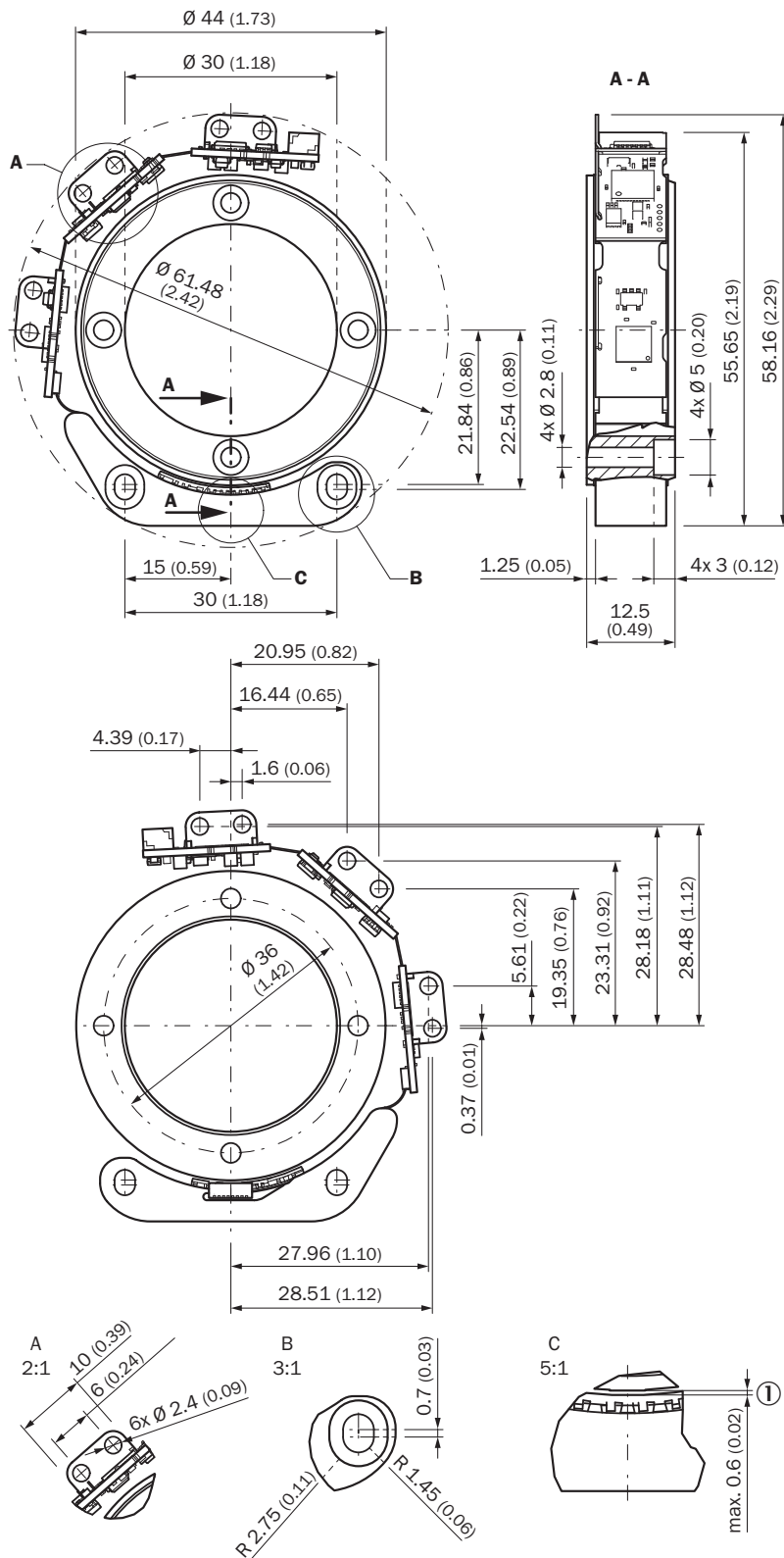
# STS030-HN030-AK22 | STS

MOTOR FEEDBACK SYSTEMS ROTARY HIPERFACE®

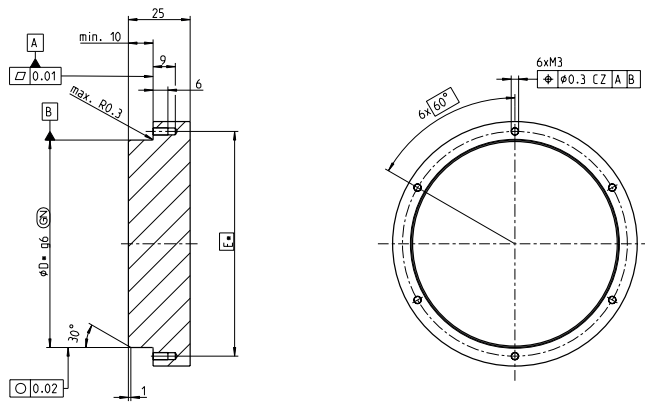
<b>ECLASS 12.0</b>	27273901
<b>ETIM 5.0</b>	EC001486
<b>ETIM 6.0</b>	EC001486
<b>ETIM 7.0</b>	EC001486
<b>ETIM 8.0</b>	EC001486
<b>UNSPSC 16.0901</b>	41112113

Dimensional drawing (Dimensions in mm (inch))

Distance between sensor head and magnetic ring



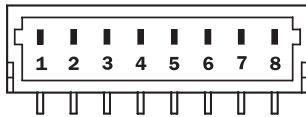
### Attachment specifications



Type	Ø D	Ø E
STS030	30 mm	36 mm
STS065	65 mm	72 mm
STS084	84 mm	91 mm

### PIN assignment

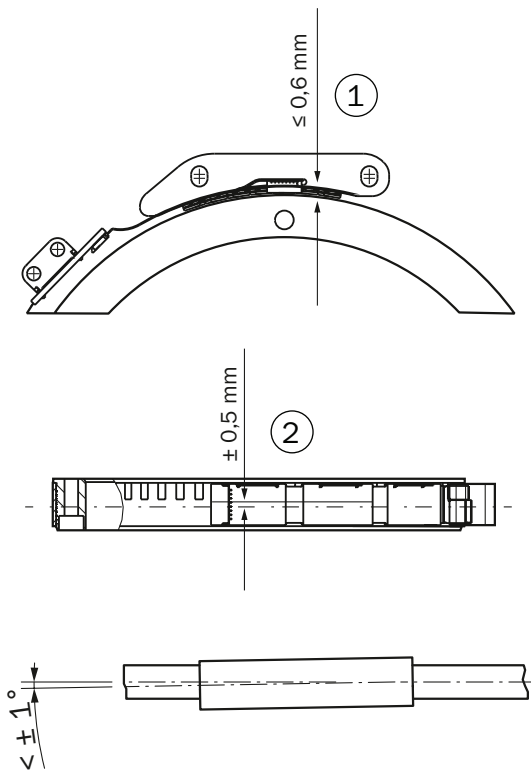
View of the plug-in face



PIN	Signal	Wire colors (cable connection)	Explanation
1	U <sub>S</sub>	Red	Supply voltage
2	+ SIN	White	Process data channel
3	REFSIN	Brown	Process data channel
4	+ COS	Pink	Process data channel
5	REFCOS	Black	Process data channel
6	GND	Blue	Ground connection
7	Data +	Gray or yellow	Parameter channel RS 485
8	Data -	Green or purple	Parameter channel RS 485

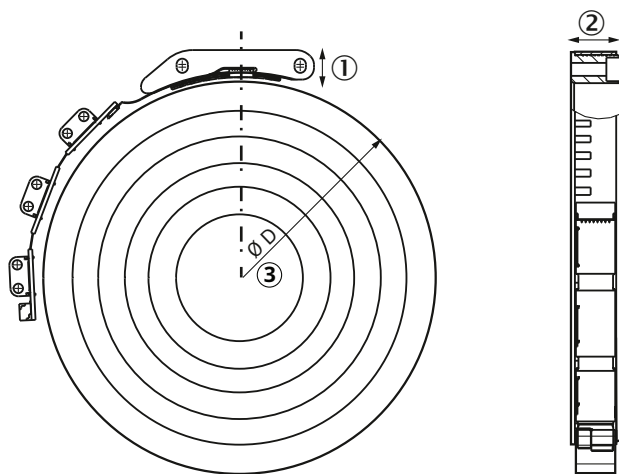
The GND connection (0 V) of the supply voltage is not connected to the housing

Position tolerance



- ① Distance between sensor head and magnetic ring
- ② Axial tolerances

Operation note



- ① Height 10 mm
- ② Encoder width 12. mm
- ③ Magnet ring sizes

Parameter	Inner diameter
D1	30 mm
D4	65 mm
D5	84 mm

# STS030-HN030-AK22 | STS

MOTOR FEEDBACK SYSTEMS ROTARY HIPERFACE®

Parameter	Inner diameter
Dx	Weitere Ringgrößen auf Anfrage



## SICK AT A GLANCE

SICK is one of the leading manufacturers of intelligent sensors and sensor solutions for industrial applications. A unique range of products and services creates the perfect basis for controlling processes securely and efficiently, protecting individuals from accidents and preventing damage to the environment.

We have extensive experience in a wide range of industries and understand their processes and requirements. With intelligent sensors, we can deliver exactly what our customers need. In application centers in Europe, Asia and North America, system solutions are tested and optimized in accordance with customer specifications. All this makes us a reliable supplier and development partner.

Comprehensive services complete our offering: SICK LifeTime Services provide support throughout the machine life cycle and ensure safety and productivity.

For us, that is “Sensor Intelligence.”

## WORLDWIDE PRESENCE:

Contacts and other locations –[www.sick.com](http://www.sick.com)