



Top push rod -  
metal and low rod  
plunger  
KSA3

Product designation

Product type designation

**General characteristics**

Material

Housing

Polymer  
thermoplastic

**Contact characteristics**

Type of contact

1NO/NC

Thermal current I<sub>th</sub>

A

15

IEC/EN 60947-5-1 designation

A600 P300

Rated insulation voltage U<sub>i</sub>

V

250

Switching speed

min

m/s

0.01

max

m/s

1

Operating speed

min

m/s

0.05

max

m/s

1

IEC Conventional free air thermal current I<sub>th</sub>

A

15

Resistance per pole (average value)

mΩ

<15

Conductivity

10mA 5V

**Mechanical features**

Terminals type

Screw

Operating head fixing

Fixed

Operating torque

N

2.5

ozin

9

Weight

g

33

**Operations**

Mechanical life

cycles

20000000

Electrical life

cycles

500000

Mechanical operation

cycles/h

240

**Ambient conditions**

Temperature

Operating temperature

min

°C

-25

max

°C

+70

Storage temperature

min

°C

-40

max

°C

+70

**Resistance & Protection**

IP degree

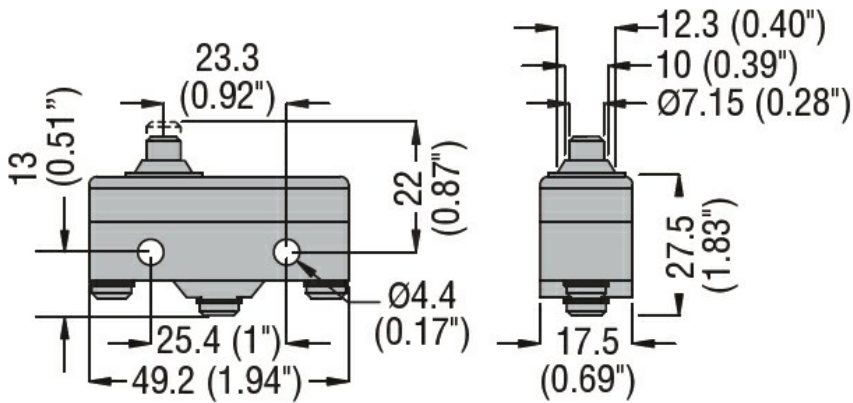
Body housing

IP00 or IP20 with  
terminal shroud

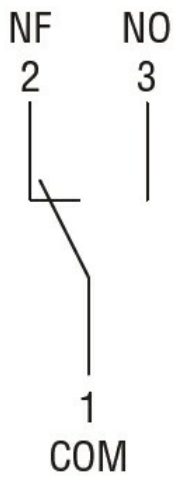
Pollution degree

3

**Dimensions**



**Wiring diagrams**



**Certifications and compliance**

Compliance

CSA C22.2 n° 14.  
IEC/EN 60947-1  
IEC/EN 60947-5-1  
IEC/EN 61058-1  
UL508

Certificates

cURus  
EAC

**ETIM classification**

ETIM 8.0

EC000030 - End switch