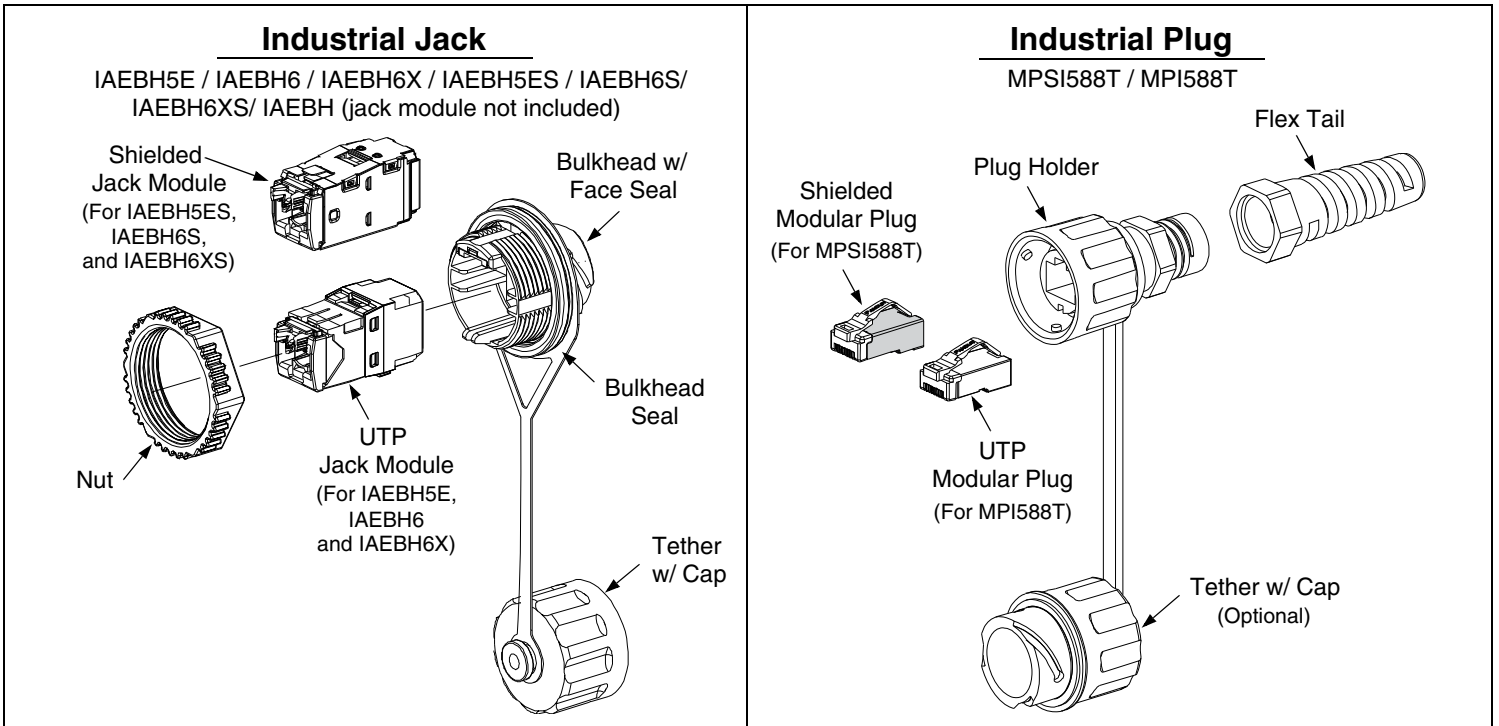
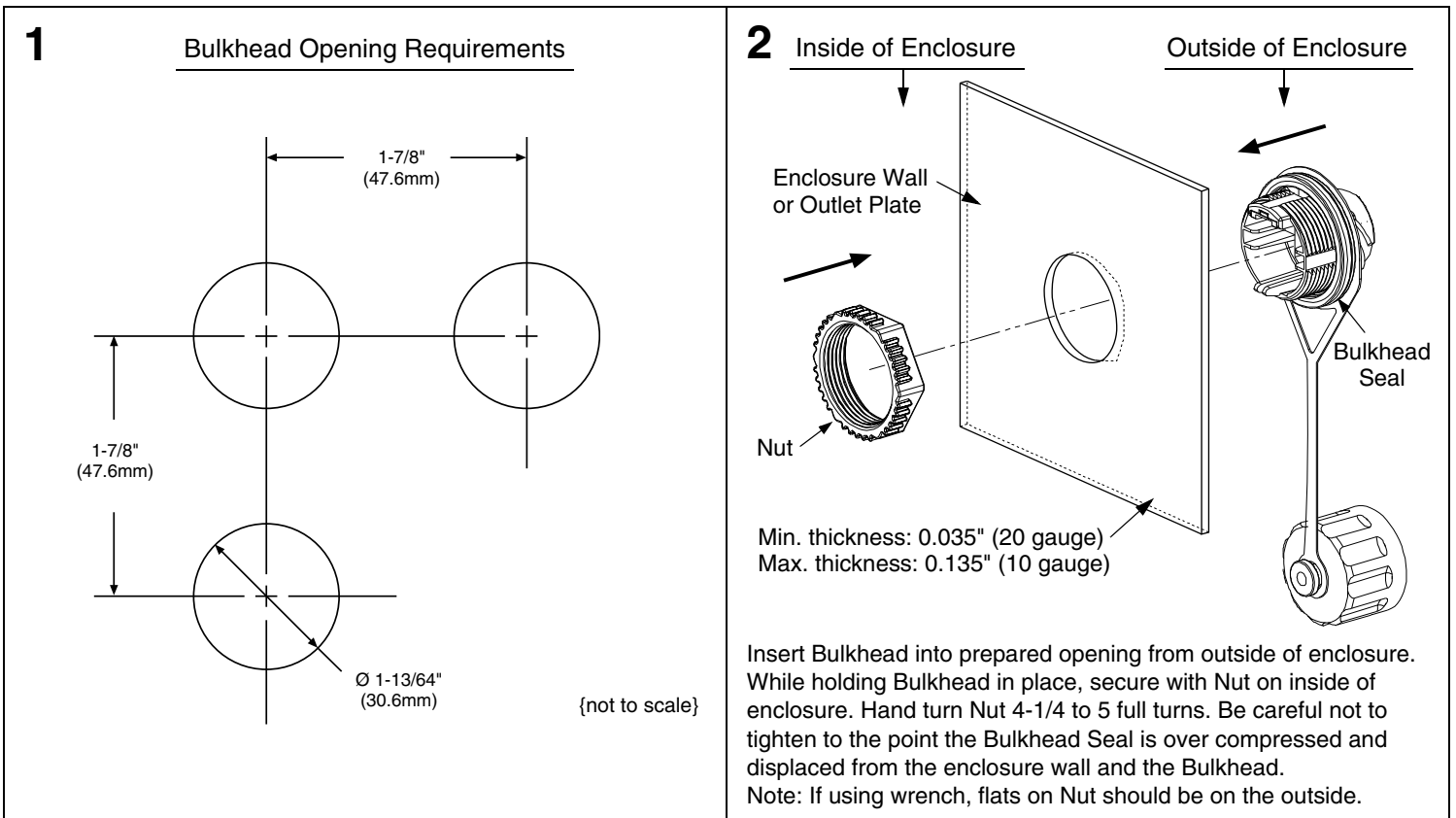


Note: Bulkhead combination must be used on a flat surface of a NEMA 4X Enclosure to maintain rating.



Installation for Industrial Jack Module



Installation for Industrial Jack Module

3

Terminate jack module.
See Panduit installation instruction PN403* for UTP jack module termination instructions and PN366* for shielded jack module.

4

Click

Properly orient jack module as shown and insert into bulkhead until it clicks into position.

5 (Enclosure wall removed from views for clarity)

6

Tethered cap for sealing industrial jack module when not in use with industrial modular plug.

*Denotes revision level of installation instruction.

Installation for Industrial Modular Plug

1

Flex Tail

Optional Tethered a

Slide flex tail onto cable and route cable through rear of modular plug housing.

2

UTP Modular Plug (For MPI588T)

(OR)

Shielded Modular Plug (For MPSI588T)

See Panduit installation instruction PN85* for termination instructions of UTP modular plug, or PN234* for shielded. Test cord before installing into plug holder. After termination, align plug latch with notched opening in black plug holder. Depress latch and press plug module firmly into the plug holder until fully seated.

3

Click

Flex Tail

Tighten flex tail by hand a total of 3 to 3-1/4" full turns. For IP67 intrusion protection, cable must be circular in shape. Note: Patch cord performance should be verified before a plug is pushed back into position, as the plug holder assembly is not intended to be reused.

4

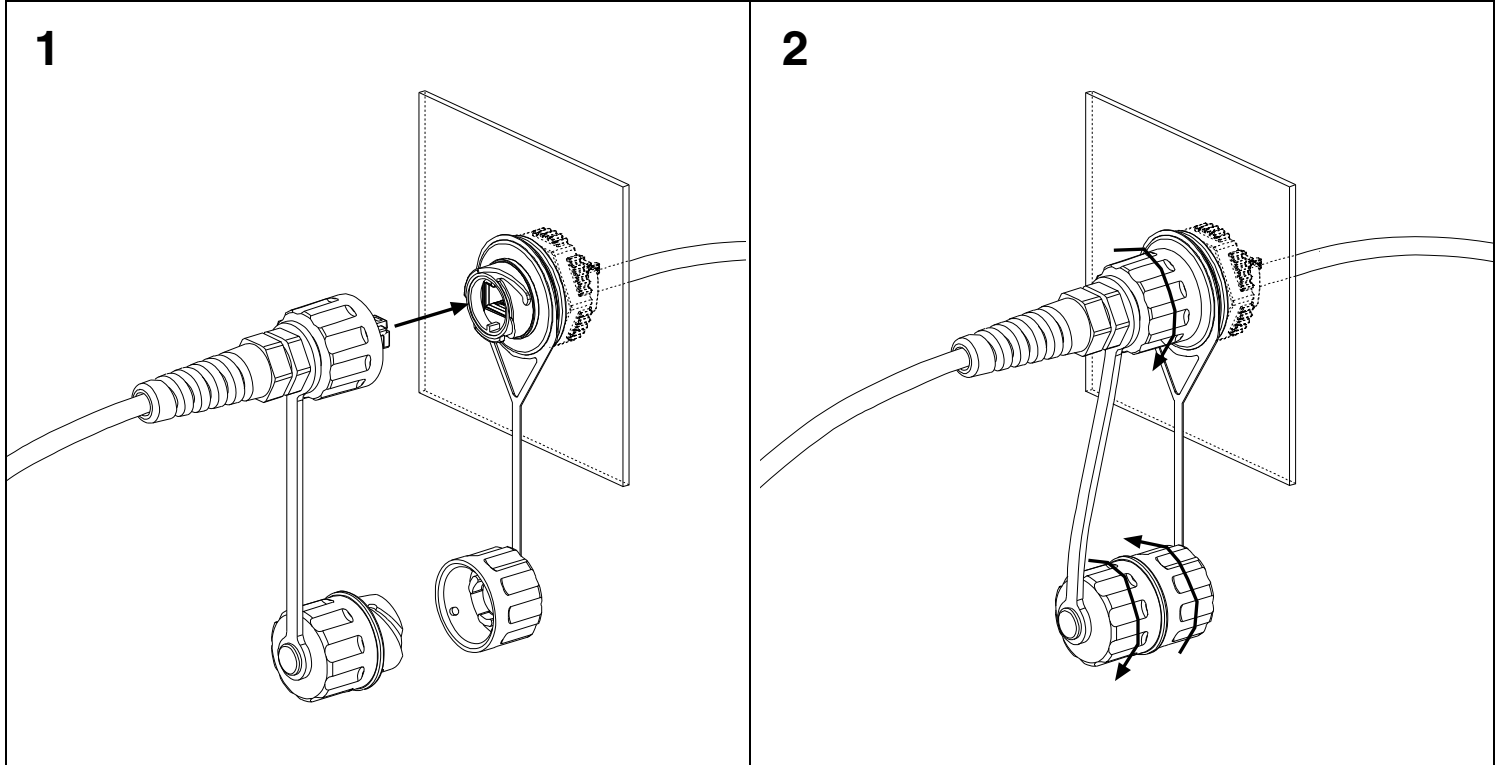
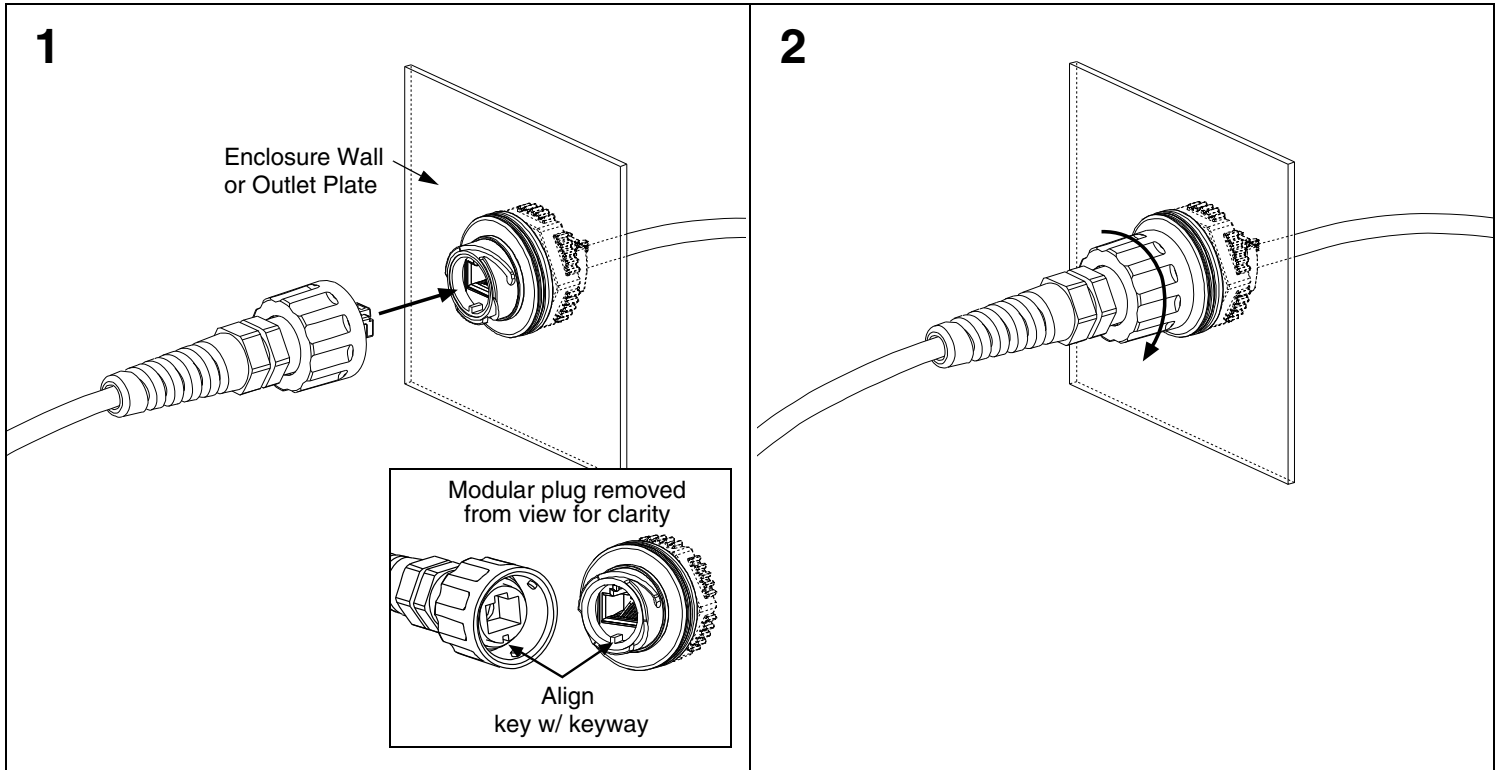
5

Tethered cap option for sealing industrial modular plug when not in use with industrial jack module.

*Denotes revision level of installation instructions.

Installation for Industrial Modular Plug to Industrial Jack Module

Note: Bulkhead combination must be used on a flat surface of a NEMA 4X Enclosure to maintain rating.



For Instructions in Local Languages
and Technical Support:
www.panduit.com/resources/install_maintain.asp

PANDUIT
www.panduit.com

E-mail:
techsupport@panduit.com
Phone:
866-405-6654