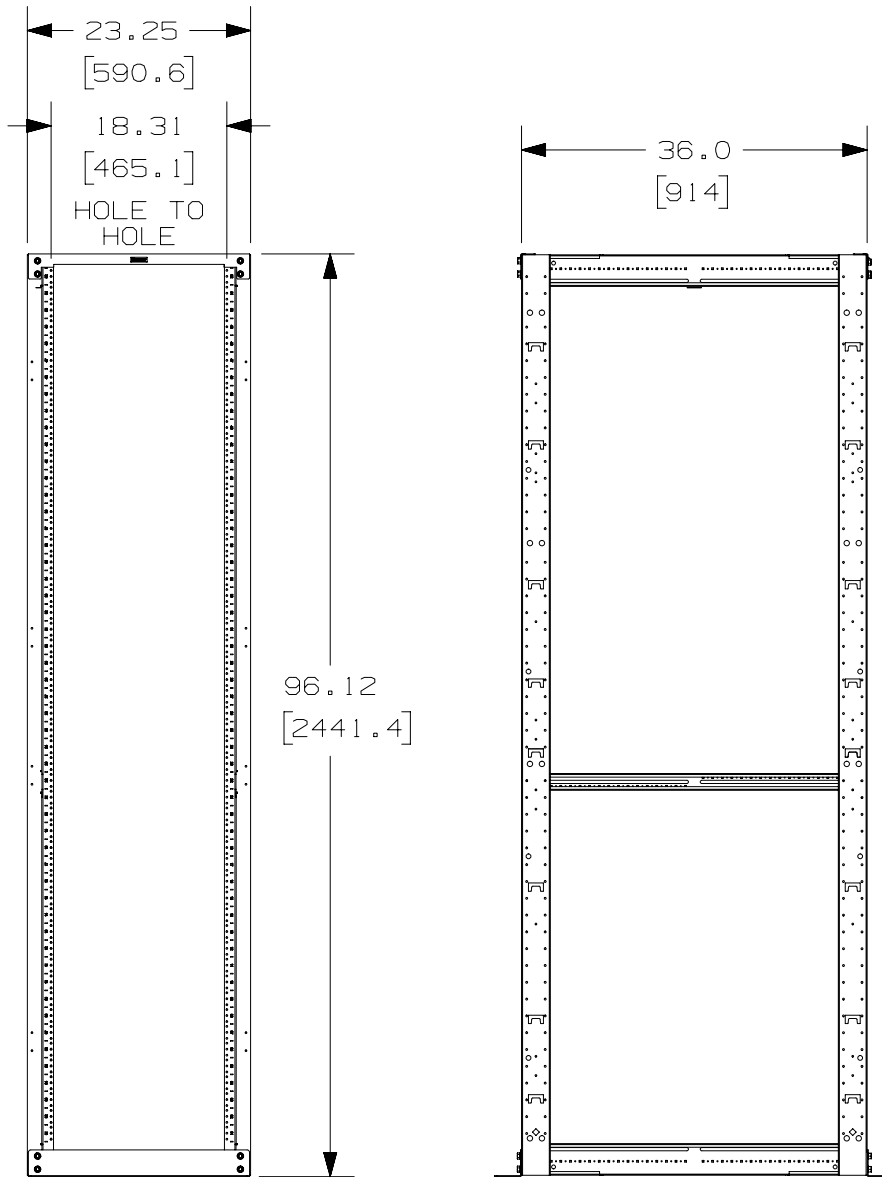


THIS COPY IS PROVIDED ON A RESTRICTED BASIS AND IS NOT TO BE USED IN ANY WAY DETRIMENTAL TO THE INTERESTS OF PANDUIT CORP.



PANDUIT P/N	WEIGHT
R4P3696	120 LBS/EACH 54.5 Kg/EACH
R4P36CN96	110 LBS/EACH 50.0 Kg/EACH

NOTES:

- VISIT OUR ON-LINE CATALOG AT WWW.PANDUIT.COM FOR A LIST OF CURRENT PARTS APPLICABLE FOR USE WITH THIS PRODUCT.
- DIMENSIONS IN PARENTHESIS ARE METRIC.
- INDEPENDENT ADJUSTABLE FRONT & REAR MOUNTING RAILS (EIA) ADJUST FROM 3.25" TO 36" DEPTH.
- CAN BE USED WITH ANY EIA STANDARD COMPONENT IN ADDITION TO ALL PANDUIT HORIZONTAL CABLE MANAGEMENT AND PATCH PANEL PRODUCTS.
- 52 AVAILABLE RACK SPACES.
- EIA UNIVERSAL STANDARD HOLE PROGRESSION ON FRONT CHANNELS AND REAR MOUNT RAILS .625", .625", .500", .625", .625", .500"...ETC.
- ALL RACKS WILL HAVE NUMBERS UP ORIENTATION (RU "01" ON BOTTOM, RU "52" ON TOP). INSTRUCTIONS WILL BE PROVIDED ON HOW TO GET NUMBERS DOWN ORIENTATION.
- RU SPACING NUMBERS ARE CLEARLY PRINTED ON MOUNTING RAILS.
- ALL ASSEMBLY HARDWARE INCLUDED:
  - (12) 3/8-16 X 1" BLACK HEX CAP SCREW
  - (24) 3/8" PAINT PIERCING GROUNDING WASHER
  - (1) TUBE OF ANTI-OXIDIZING PASTE
  - (12) 3/8-16 BLACK HEX NUT
  - (25) 12-24 X .5" SLOTTED PAN HEAD STEEL SCREW
  - (25) #12-24 CAGE NUTS (ONLY PROVIDED FOR R4P36CN96)
- EASY ASSEMBLY, ONE WRENCH NEEDED TO INSTALL BOLTS INTO WELDNUTS IN ALL 8 CORNERS.
- FULLY BONDED STRUCTURE WHEN ASSEMBLED PER INSTRUCTIONS.
- LOAD RATING - 2500 LBS.

TITLE		<b>8 FOOT 36" DEEP 4 POST RACK (R4P3696/R4P36CN96)</b>			
		CUSTOMER DRAWING			
ITEM REVISION NAME		V10679ZD/02			
DATASET FILE NAME		V10679ZD_DC/02A			
UNLESS OTHERWISE SPECIFIED, DIMENSIONAL TOLERANCES ARE: IN ( mm )		<b>PANDUIT</b>  MATERIAL:  SEE COMPONENTS FOR DETAILS  DRAWING NUMBER: V10679ZD-DC			
.X ±				.XXX ±	
.XX ±				ANGLES ±	
		THIRD ANGLE PROJECTION			
DRAWN BY	DATE	CHK	SCALE		
BAME	7-2-09	DSI	NONE		
SHT 1 OF 3		A			

REV	DATE	BY	CHK	APR	DESCRIPTION	ECN
02A	7-12-16	BAME	RYB	KRKE	ADDED NOTE ON PAGE 3	M09000EF
01A	10-9-09	BAME	DSI	CMK	ADJUSTED LOAD RATING HEIGHT WAS 96.00	V10679ZD-DC
00A	7-2-09	BAME	DSI	CMK	DRAWING RELEASED	V10679ZD-DC

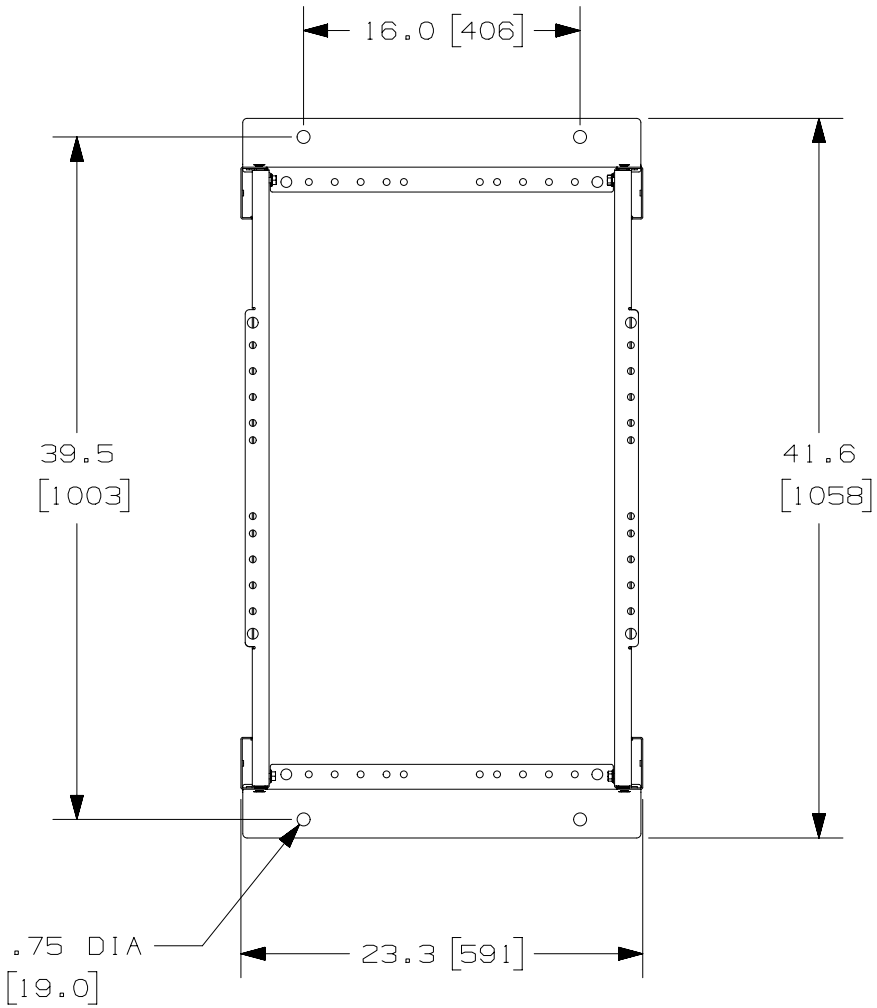
2

1

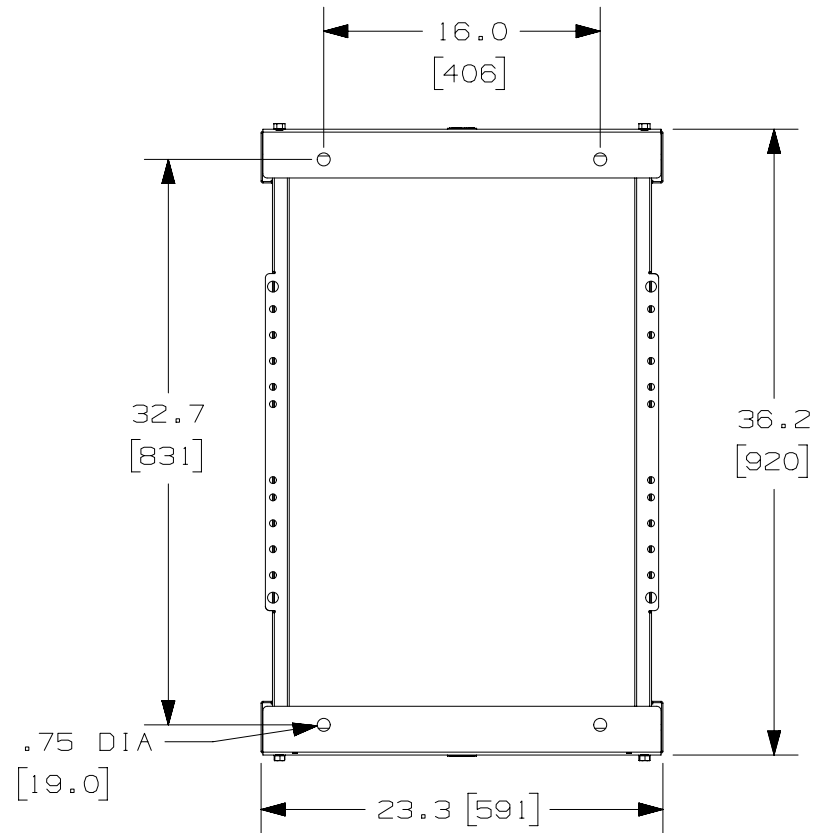
2

1

THIS COPY IS PROVIDED ON A RESTRICTED BASIS AND IS NOT TO BE USED IN ANY WAY DETRIMENTAL TO THE INTERESTS OF PANDUIT CORP.



FLOOR FOOTPRINT WITH  
BASE ANGLES TURNED  
OUTWARD FOR EXTENDED  
FOOTPRINT



FLOOR FOOTPRINT WITH  
BASE ANGLES TURNED INWARD

TITLE		8 FOOT 36" DEEP 4 POST RACK (R4P3696/R4P36CN96)		
ITEM REVISION NAME		CUSTOMER DRAWING		
DATASET FILE NAME		V10679ZD/02		
MATERIAL:		<b>PANDUIT</b>		
UNLESS OTHERWISE SPECIFIED, DIMENSIONAL TOLERANCES ARE: IN (mm)		SEE COMPONENTS FOR DETAILS		
DRAWING NUMBER:		V10679ZD-DC		
THIRD ANGLE PROJECTION				
DRAWN BY	DATE	CHK	SCALE	SIZE
BAME	7-2-09	DSI	NONE	A

REV	DATE	BY	CHK	APR	DESCRIPTION	ECN
02A	7-12-16	BAME			SEE SHEET 1 OF 3 FOR REVISIONS	M09000EF
01A	10-9-09	BAME	DSI	CMK	SEE SHEET 1 OF 3 FOR REVISIONS	V10679ZD-DC
00A	7-2-09	BAME	DSI	CMK	SEE SHEET 1 OF 3 FOR REVISIONS	V10679ZD-DC

THIS COPY IS PROVIDED ON A RESTRICTED BASIS AND IS NOT TO BE USED IN ANY WAY DETRIMENTAL TO THE INTERESTS OF PANDUIT CORP.

J-HOOKS UP TO 3/8" DIA. MAY BE MOUNTED TO THE RACK FROM THE FRONT OF THE RACK TOP ANGLES.

BONUS HOLES ARE FOR MOUNTING PANDUIT ACCESSORIES. SEE NOTE 1

MOUNTING HOLES FOR OPTIONAL POWER STRIP BRACKET. BRACKETS CAN BE MOUNTED ON ANY OF THE 4 POSTS OR ADJUSTABLE RAILS.

OPTIONAL POST HOLES FOR BRACKET MOUNTING NETRUNNER

MASKED AREA FOR GROUNDING, TOP & BOTTOM OF RACK, 4 PLACES

BASE ANGLES (SEE SHEET 2 FOR MOUNTING POSITIONS)

"J" BOLT MOUNTING HOLES FOR SECURING LADDER RACK PERPENDICULAR AND PARALLEL TO 4 POST RACK.

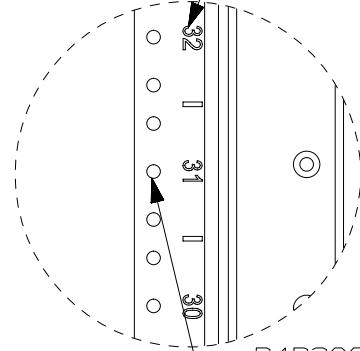
MOUNTING RAILS (ADJUSTABLE FROM 3.25" TO 36")

CUTOUTS FOR MOUNTING PANDUIT ACCESSORIES SEE NOTE 1.

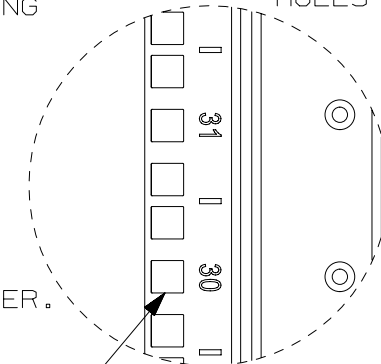
CROSS BEAMS ARE MARKED EVERY 1/2" FOR MOUNTING RAIL ALIGNMENT

MOUNTING HOLES FOR VERTICAL MANAGERS. DOUBLE HOLES ARE FOR MOUNTING PATCHRUNNER. SINGLE HOLES ARE FOR SIDE MOUNTING NETRUNNER.

RU SPACINGS ARE PRINTED ON MOUNTING RAILS


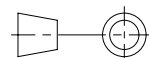


R4P3696/R4P3696WH RAILS HAVE TAPPED HOLES



R4P36CN96 RAILS HAVE CAGE NUT HOLES

REV	DATE	BY	CHK	APR	DESCRIPTION	ECN
02A	7-12-16	BAME	RYB	KRKE	SEE SHEET 1 OF 3 FOR REVISIONS	M09000ZD
01A	10-9-09	BAME	DSI	CMK	SEE SHEET 1 OF 3 FOR REVISIONS	V10679ZD-DC
00A	7-2-09	BAME	DSI	CMK	SEE SHEET 1 OF 3 FOR REVISIONS	V10679ZD-DC

TITLE						8 FOOT 36" DEEP 4 POST RACK (R4P3696/R4P36CN96)											
						CUSTOMER DRAWING											
ITEM REVISION NAME						V10679ZD/02											
DATASET FILE NAME						V10679ZD_DC/02A											
UNLESS OTHERWISE SPECIFIED, DIMENSIONAL TOLERANCES ARE: IN ( mm )						 MATERIAL: SEE COMPONENT FOR DETAILS											
.X ±												.XXX ±					
.XX ±												ANGLES ±					
 THIRD ANGLE PROJECTION						DRAWING NUMBER: V10679ZD-DC											
DRAWN BY	DATE	CHK	SCALE			DRAWN BY	DATE	CHK	SCALE								
BAME	7-2-09	DSI	NONE			BAME	7-2-09	DSI	NONE								
						SHT 3 OF 3											
						A											