

| | | | | |
|---|--------------------------|--------------------|----------------------|------------------------|
| Product designation | | | | Switch disconnecter |
| Product type designation | | | | GA |
| Number of poles | Nr. | | | 3 |
| Operating voltage type | | | | AC |
| Contact characteristics | | | | |
| IEC Conventional free air thermal current I _{th} | A | | | 160 |
| Rated insulation voltage U _i IEC/EN | V | | | 1000 |
| Rated impulse withstand voltage U _{imp} | kV | | | 8 |
| Operating current I _e | | | | |
| AC21A | 400V | A | 160 | |
| | 500V | A | 160 | |
| | 690V | A | 160 | |
| AC22A | 400V | A | 160 | |
| | 500V | A | 125 | |
| | 690V | A | 125 | |
| AC23A | 400V | A | 125 | |
| | 500V | A | 100 | |
| | 690V | A | 47 | |
| Power dissipation per pole max | W | | | 12 |
| Rated operational power AC23A | 400V | kW | 55 | |
| | 690V | kW | 45 | |
| Rated short time current (1s) I _{cw} (rms) | kA | | | 2.5 |
| Conditional short-circuit current (rms) | kA | | | 50 |
| Short-circuit protection with fuse | Class/A | | | gG160 |
| Making capacity AC23A 400V | A | | | 1250 |
| Breaking capacity AC23A 400V | A | | | 1000 |
| Mechanical life | cycles | | | 30000 |
| Electrical life AC21A | cycles | | | 1500 (AC23A 400V) |
| Mechanical features | | | | |
| Operating position | normal allowable | | Vertical plan Any | |
| Fixing | Screw / DIN rail 35mm | | | |
| Terminals | | | | |
| | type | Pillar | | |
| | width | mm | 12.4 | |
| | height | mm | 10.4 | |
| | screw | M8 | | |
| | tool | Metric Allen key 4 | | |

Tightening torque for terminals

| | | |
|-----|------|----|
| min | Nm | 5 |
| max | Nm | 6 |
| min | lbin | 45 |
| max | lbin | 54 |

Conductor section

| | | |
|---------------|-----------------|----|
| IEC min | mm ² | 4 |
| IEC max | mm ² | 70 |
| AWG/kcmil min | | 12 |
| AWG/kcmil max | | 1 |

Weight

| | |
|---|-----|
| g | 881 |
|---|-----|

UL technical data

UL Standard

UL98

Minimum enclosure dimensions at rated current

| | | |
|----|----|-----------------|
| mm | mm | 150x140x110 |
| in | in | 5.9 x 5.5 x 4.3 |

Ambient conditions

Operating temperature

| | | |
|-----|----|-----|
| min | °C | -25 |
| max | °C | +55 |

Storage temperature

| | | |
|-----|----|-----|
| min | °C | -40 |
| max | °C | +70 |

Max altitude

| | |
|---|------|
| m | 3000 |
|---|------|

Resistance & Protection

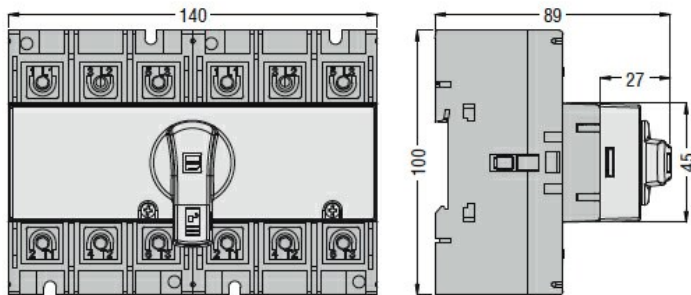
Frontal IP degree

IP20

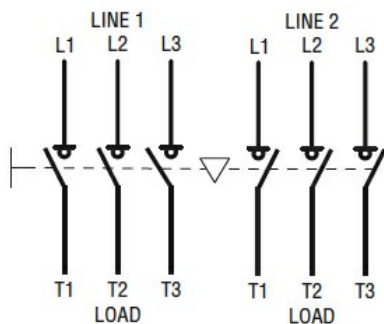
Pollution degree

3

Dimensions



Wiring diagrams



ETIM classification

ETIM 8.0

EC000216 -
Switch
disconnecter