



Product designation				Motor protection circuit breaker SM1PF
Product type designation				SM1PF
<b>Electrical features</b>				
Rated insulation voltage $U_i$ IEC/EN	V			690
Rated impulse withstand voltage $U_{imp}$	kV			6
Rated frequency	Hz			50/60
Rated current ( $I_n$ )	A			0.2
Magnetic tripping				1.2A
Power dissipation per pole	min	W	0.81	
	max	W	1.97	
Operational short-circuit current breaking capacity ( $I_{cs}$ ) at AC	230V	kA	100	
	400V	kA	100	
	440V	kA	100	
	500V	kA	100	
	690V	kA	100	
Maximum short-circuit current breaking capacity ( $I_{cu}$ ) at AC	230V	kA	100	
	400V	kA	100	
	440V	kA	100	
	500V	kA	100	
	690V	kA	100	
IEC Utilization category				A
<b>Operations</b>				
Mechanical life	cycles			100000
Electrical life	cycles			100000
<b>Mechanical features</b>				
Tightening torque for terminals	min	$I_{bin}$	22	
	max	$I_{bin}$	26.5	
Conductor section	Flexible w/o lug conductor section			
	min	$mm^2$	1	
	max	$mm^2$	10	
	Flexible c/w lug conductor section			
	min	$mm^2$	1	
	max	$mm^2$	10	
Cable stripping length	Flexible with insulated spade lug conductor section			
	min	$mm^2$	1	
	max	$mm^2$	10	
		main circuit	mm	12
<b>Ambient conditions</b>				

Operating position

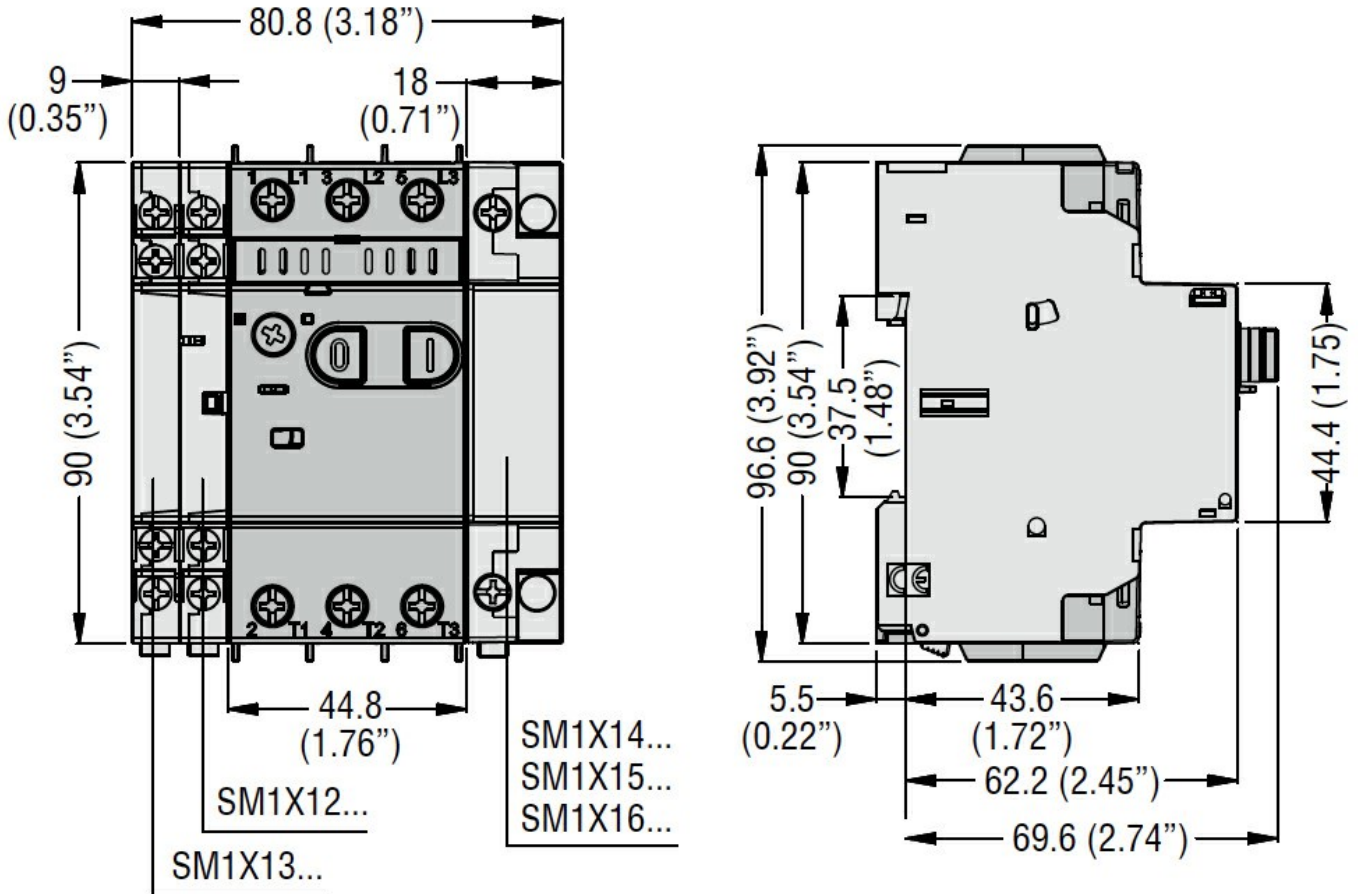
	normal allowable	Vertical plan Any
Fixing		Screw / DIN rail 35mm
Weight	g	280

**UL technical data**

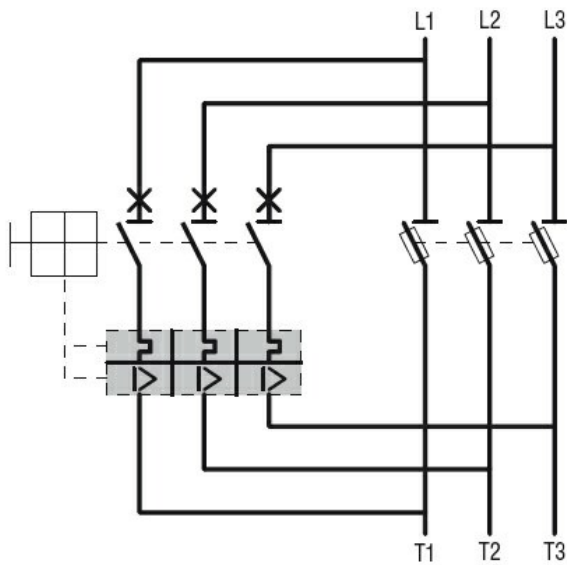
Motor Disconnect	at 240V	kA	50
	at 480V	kA	50
	at 600V	kA	50
	protection		Fuse or CB

Group Motor Installation	at 240V	kA	50
	at 480V	kA	50
	at 600V	kA	50
	protection		Fuse or CB

**Dimensions**



**Wiring diagrams**



### Certifications and compliance

#### Certifications

CSA C22.2 n° 14  
IEC/EN 60947-1  
IEC/EN 60947-2  
IEC/EN 60947-4-1  
UL508

#### Compliance

cULus  
EAC

### ETIM classification

ETIM 8.0

EC000074 -  
Motor protection  
circuit-breaker