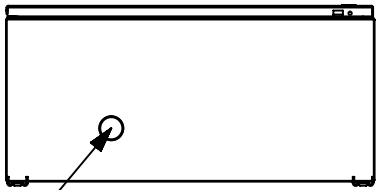
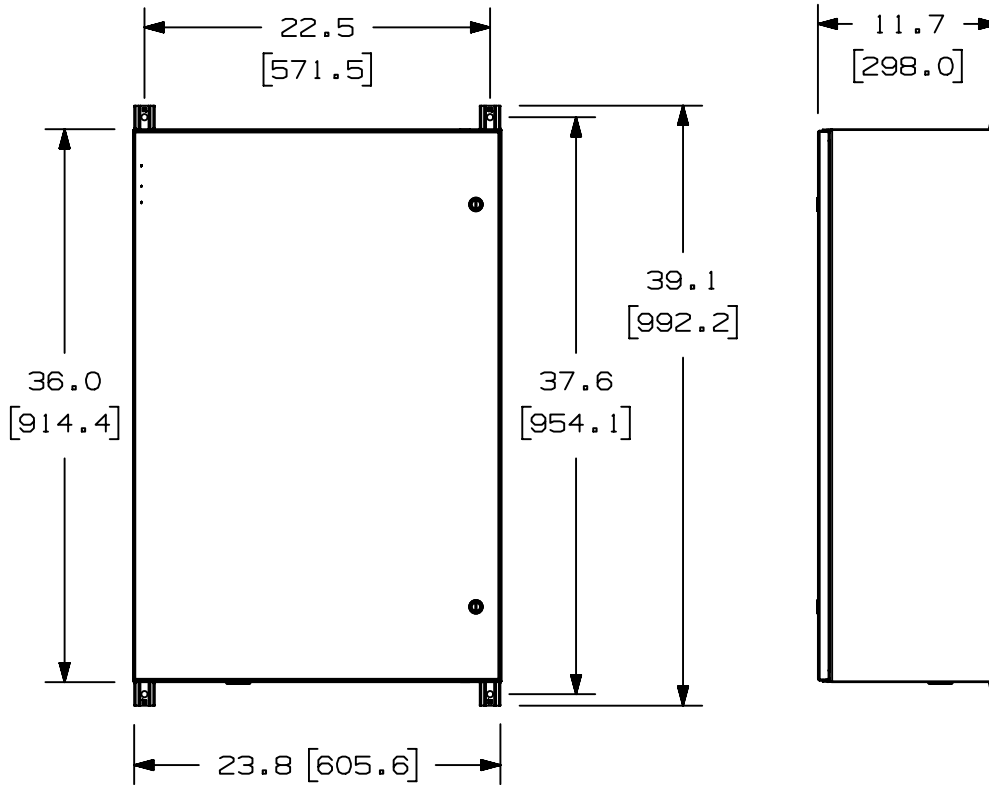


THIS COPY IS PROVIDED ON A RESTRICTED BASIS AND IS NOT TO BE USED IN ANY WAY DETRIMENTAL TO THE INTERESTS OF PANDUIT CORP.



1/2" CONDUIT PLUG FOR POWER ENTRY

WIDTH	HEIGHT	DEPTH	WEIGHT
24.0"	36.0"	12.0"	95 LBS 43 KG

PANDUIT P/N	ENCLOSURE TYPE	DOWNLINK PATCH CORDS TYPE
Z23C-6	316 STAINLESS	UTP COPPER
Z23C-6S	316 STAINLESS	STP COPPER
Z23C-S	4/12 STEEL	UTP COPPER
Z23C-SS	4/12 STEEL	STP COPPER

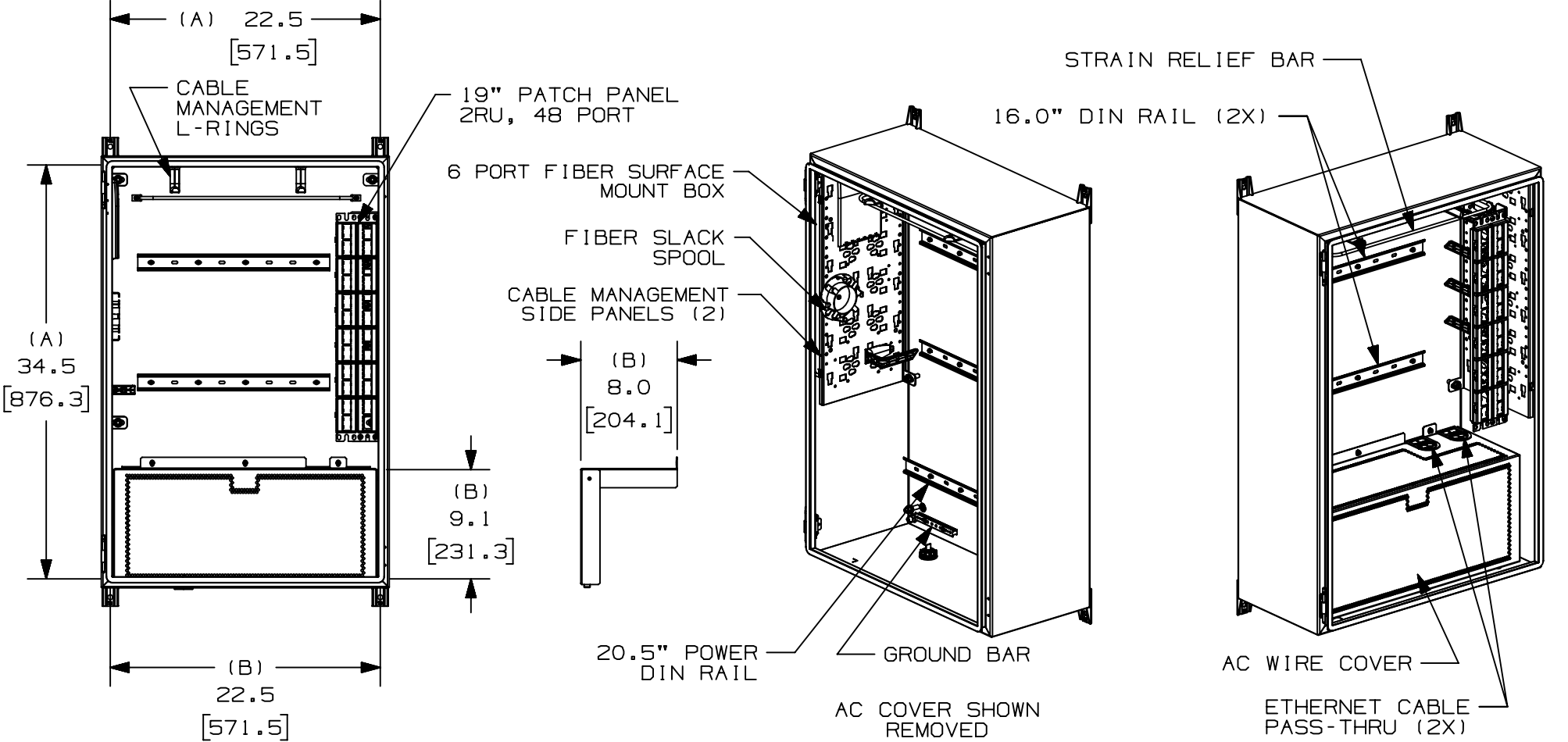
NOTES:

- DIMENSIONS IN PARENTHESES ARE IN METRIC.
- ENCLOSURE INCLUDES:
 - (2) CABLE MANAGEMENT SIDE PANELS
 - (1) TOP SLACK PLATE
 - (1) 1/2" CONDUIT PLUG FOR POWER ENTRY
 - (4) EXTERNAL MOUNTING FEET
 - (1) AC WIRING COVER
 - (2) DIN RAIL FOR SWITCHES (16.0")
 - (1) DIN RAIL FOR POWER (20.5")
 - (1) FIBER SLACK SPOOL
 - (1) STRAIN RELIEF BAR
 - (1) 19", 2 RACK UNIT PATCH PANEL
 - (1) 6 PORT FIBER SURFACE MOUNT BOX
 - (9) CABLE MANAGEMENT L RINGS
 - (1) GROUND BAR
 - (16) CAT 6 COPPER PATCH CORD, 3FT
 - (16) CAT 6 MINI-COM COPPER MODULES
 - (4) LC FIBER OPTIC PATCH CORDS, 1M
 - (6) LC FIBER OPTIC ADAPTER MODULES
- THE PRE-CONFIGURED ZONE SYSTEM IS WALL MOUNTABLE WITH THE OPTION TO USE OUTSIDE EXTERNAL MOUNTING FEET WHICH ARE INCLUDED.
- ALL ENCLOSURES ARE UL TYPE 4/12 AND IP66 RATED.
- 316 STAINLESS STEEL ENCLOSURES ARE RATED NEMA 4X.
- STEEL AND STAINLESS STEEL ENCLOSURES ARE MADE FROM 16 GAUGE STEEL

TITLE		Z23C-**-** PRE-CONFIGURED ZONE ENCLOSURE	
CUSTOMER DRAWING			
ITEM REVISION NAME	13V366AG/04	PANDUIT	
DATASET FILE NAME	13V366AG_DC/04A		
THIRD ANGLE PROJECTION			
MATERIAL	SEE TABLE	DRAWING NUMBER	13V366AG_DC
DRAWN BY	DATE	CHK	SCALE
RHG	9/17/14	NWW	NONE
REV		SHEET 1 OF 2	
DATE		A	

04A	7/16/20	JBO	SCL	GSI	RELEASED TO CUSTOMER	13V366AG_DC
REV	DATE	BY	CHK	APR	DESCRIPTION	ECN

THIS COPY IS PROVIDED ON A RESTRICTED BASIS AND IS NOT TO BE USED IN ANY WAY DETRIMENTAL TO THE INTERESTS OF PANDUIT CORP.



(A) DIRECT WALL MOUNT HOLE LOCATIONS
DOOR REMOVED FOR CLARITY
(B) DIMENSIONS UNDER THE AC WIRE COVER
AND OVER THE MOUNT PLATE

TITLE		Z23C-**-** PRE-CONFIGURED ZONE ENCLOSURE	
ITEM REVISION NAME		CUSTOMER DRAWING	
DATASET FILE NAME		13V366AG/04	
MATERIAL		13V366AG_DC/04A	
DRAWING NUMBER		13V366AG_DC	
THIRD ANGLE PROJECTION		SEE NOTES	
DRAWN BY		RHW	
DATE		9/17/14	
CHK		NWW	
SCALE		NONE	
SHEET 2 OF 2		A	

04A	7/16/20	JBO	SCL	GSI	REFER TO SHEET 1 FOR REVISION CONTROL	13V366AG_DC
REV	DATE	BY	CHK	APR	DESCRIPTION	ECN

A-SIZE CUSTOMER