



Product designation	Surge Protection Device (SPD)
Product type designation	SAS
Application	Data lines
Number of DIN modules	1
SPD according to IEC/EN 61643-11	YES
SPD according to IEC/EN 61643-21	YES

**Electrical features**

C2 rated current $I_n$ 8/20	kA	10
D1 impulse current $I_{imp}$ 10/350	kA	1
Load current $I_L$ at 25°C	A	1
Bandwidth	MHz	250, Cat.6
Maximum continuous voltage $U_{cpv}$	V	50
Voltage protection level $U_p$ (L-L/L-PE)	kV	150 / 550
Tripping time $t_a$ (L-N/N-PE)	ns	<1
Status indicator - operating / end of life		Missing signal

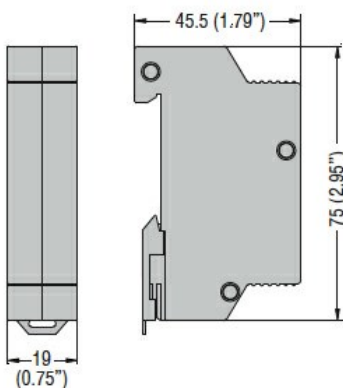
**Ambient conditions**

Operating temperature	min	°C	-40
	max	°C	+80
Max altitude		m	2000

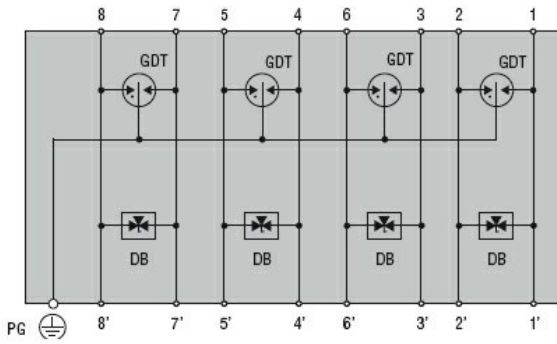
**Mechanical features**

Fixing	Din rail
Weight	g 120

**Dimensions**



**Wiring diagrams**



**Certifications and compliance**

Compliance

IEC/EN 61643-21

Certificates

EAC

**ETIM classification**

ETIM 8.0

EC000683 -  
Surge protection  
module