



Enclosed star-delta starters  
M3P00970

Product designation

Product type designation

**Electrical features**

Maximum operating current ( $\leq 440V$ ) A 16

**Components**

Starter enclosure standard supplied M3PA70

Contactor standard supplied BF0910A, BF0901A, BF0910A

Thermal relay to purchase separately RF38...

Auxiliary contact standard supplied BFX1020, ..., BFX1011

**Contact characteristics**

IEC standard motor powers	230V	kW	4
	400V	kW	7.5
	440V	kW	7.5
	500V	kW	7.5

**Mechanical features**

Weight g 3540

**Ambient conditions**

Operating temperature	min	°C	-25
	max	°C	+60

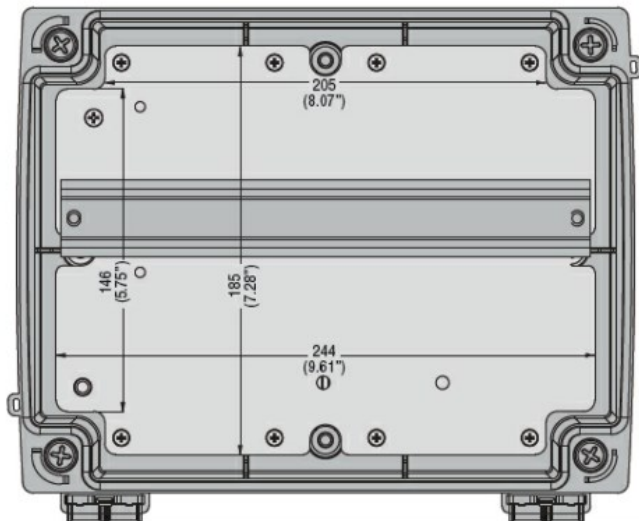
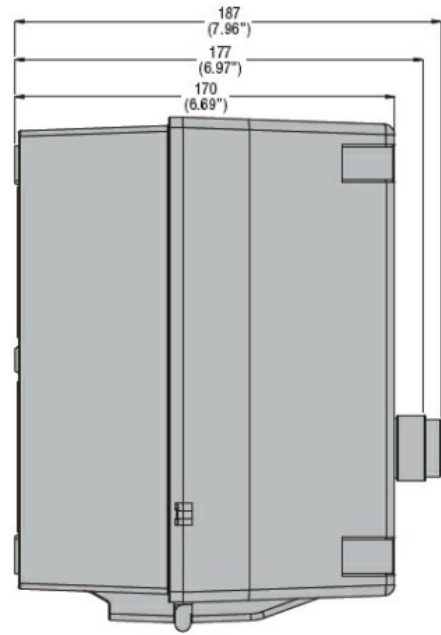
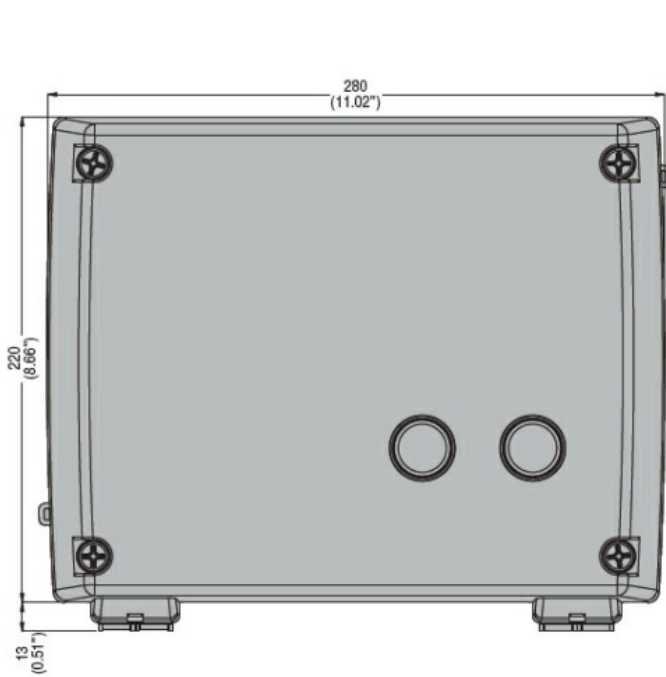
Storage temperature	min	°C	-40
	max	°C	+70

**Resistance & Protection**

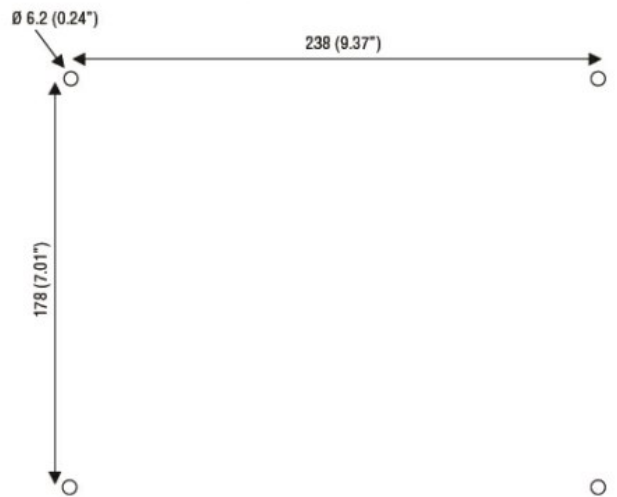
Frontal IP degree IP65

**Dimensions**

STAR-DELTA STARTER, ENCLOSED STARTER, WITH START AND STOP/RESET BUTTONS.  
STARTING TIME UP TO 12 SECONDS AND A MAXIMUM OF 30 OPERATIONS/HOUR, MAX IEC  
OPERATING CURRENT 16A. COIL VOLTAGE 230VAC 50/60HZ

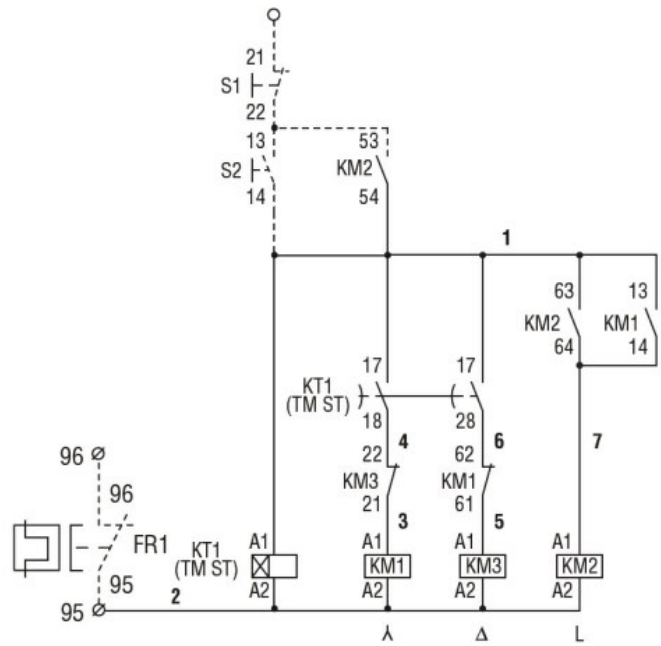
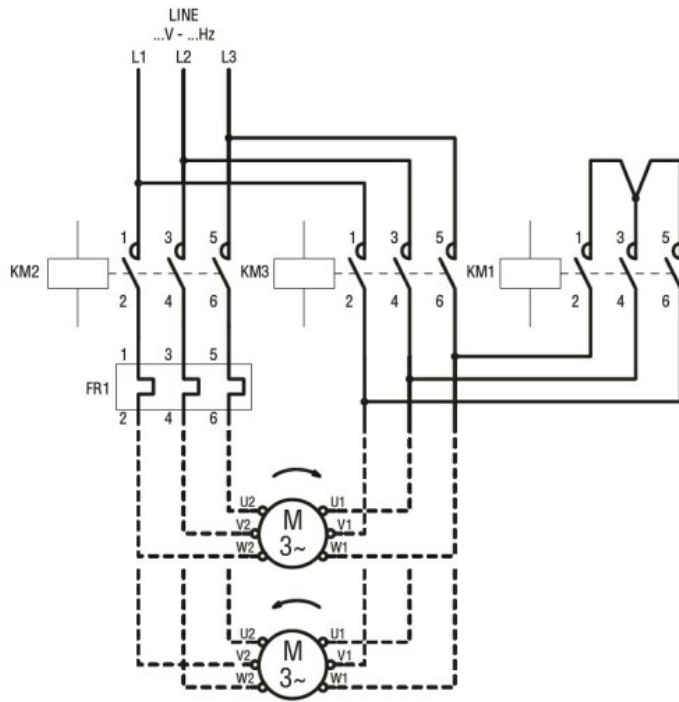


Drilling for surface fixing



Wiring diagrams

STAR-DELTA STARTER, ENCLOSED STARTER, WITH START AND STOP/RESET BUTTONS. STARTING TIME UP TO 12 SECONDS AND A MAXIMUM OF 30 OPERATIONS/HOUR, MAX IEC OPERATING CURRENT 16A. COIL VOLTAGE 230VAC 50/60HZ



**Certifications and compliance**

Compliance

CSA C22.2 n° 14

for starters

IEC/EN 60947-1

IEC/EN 60947-4-1

UL508

Certificates

/

**ETIM classification**

ETIM 8.0

EC001037 -  
Motor  
starter/Motor  
starter  
combination