

⚠ ⚠ DANGER / 危险

HAZARD OF ELECTRIC SHOCK, EXPLOSION, OR ARC FLASH
 Disconnect all power before servicing equipment.
Failure to follow these instructions will result in death or serious injury.

可能有触电、爆炸或者电弧灼伤的危险
 在此电力设备上进行操作时，请先断开所有电源。
 不遵循上述规定将可能导致人员伤亡。

⚠ ⚠ WARNING / 警告

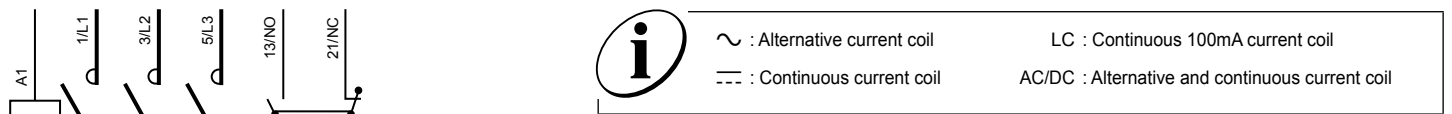
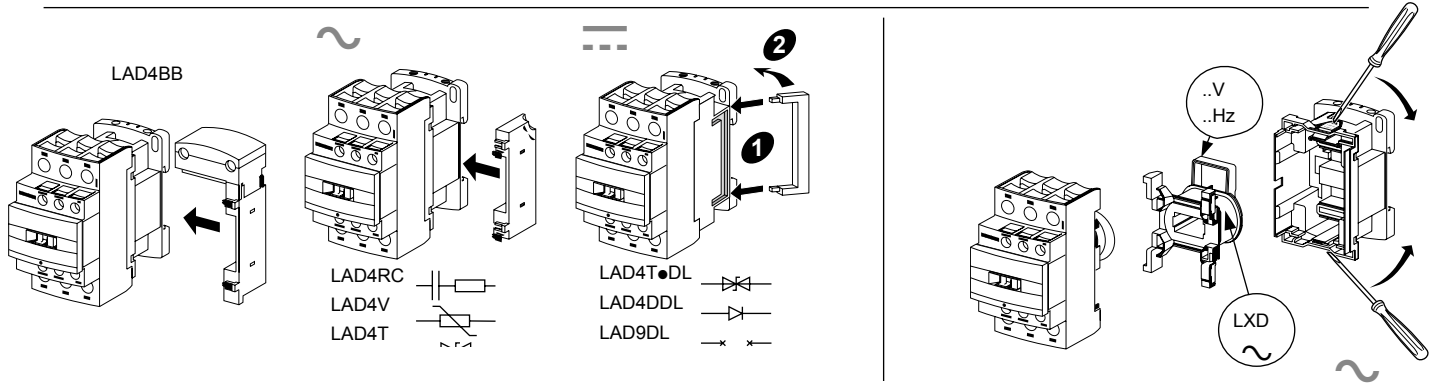
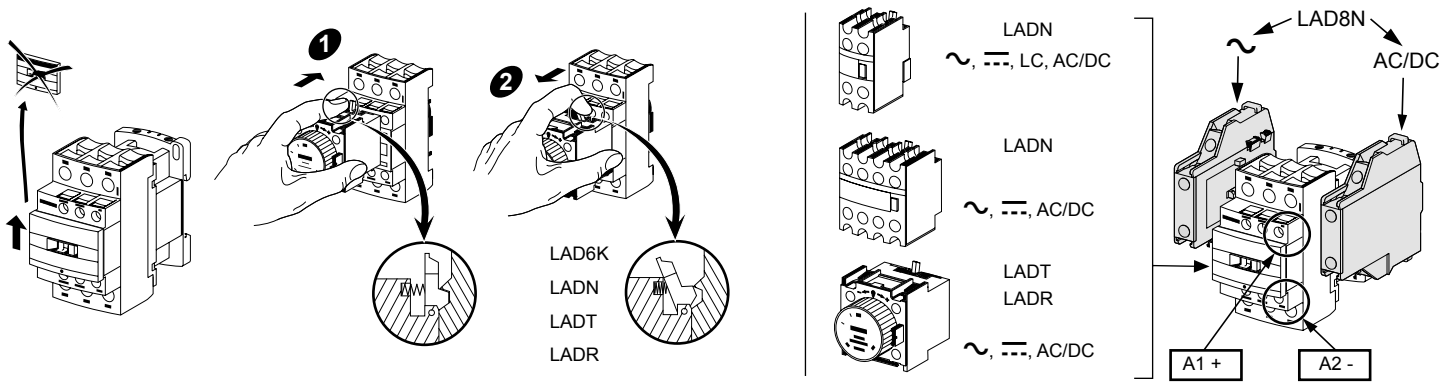
RISK OF FIRE OR ELECTRIC SHOCK (FOR CONTACTOR WITH UL HI-FAULT SHORT CIRCUIT CURRENT RATINGS ONLY)

■ The opening of the branch-circuit protective device may be an indication that a fault current has been interrupted.
 ■ To reduce the risk of fire or electric shock, current-carrying parts and the other components of the controller should be examined and replaced if damaged.
Failure to follow these instructions can result in death, serious injury, or equipment damage.

有火灾或电弧灼伤危险（仅当继电器发生超高故障短路电流时）

■ 分支电流保护装置断开可能表明某故障电流已被切断。
 ■ 为减少火灾或电弧灼伤的危险，应经常检查和更换（如损坏）控制器的带电部分及其它部件。
 不遵循上述说明可能导致人员伤亡或设备损坏。

"For Motor Starting Use Schneider Electric Overload Relay Series LR".



										AWG		
d	LC1D09/D12	8 mm 5/16"	1...4	1...4	1...4	1...2.5	1...4	1...4	1...4	AWG10-18 CU 75°C	6 mm 0.24 in	1.7 N.m 15 lb-in
	LC1DT20/DT25/ D098/D128	12 mm 6/13"	1...4	1...4	1...4	1...2.5	1...4	1...4	1...4	AWG10-18 CU 75°C	6 mm 0.24 in	1.7 N.m 15 lb-in
	LC1D18	8 mm 5/16"	1.5...6	1.5...6	1...6	1...4	1.5...6	1.5...6	1.5...6	AWG10-14 CU 75°C	6 mm 0.24 in	1.7 N.m 15 lb-in
	LC1D25/D32/D38	10 mm 3/8"	2.5...10	2.5...10	1...10	1.5...6	1.5...10	2.5...10	2.5...10	AWG8-14 CU 75°C	6 mm 0.24 in	2.5 N.m 22 lb-in
	LC1DT32/DT40/ D188/D258	12 mm 6/13"	2.5...10	2.5...10	1.5...10	1.5...10	2.5...16	2.5...16	2.5...16	AWG8-12 CU 75°C	6 mm 0.24 in	1.8 N.m 16 lb-in
∩	LC1D●●, LA●●	8 mm 5/16"	1...4	1...4	1...4	1...2.5	1...4	1...4	1...4	AWG10-14 CU 75°C	6 mm 0.24 in	1.7 N.m 15 lb-in

UL/CSA Lighting Ratings		
Device	Ballast, 600 V	Tungsten, 480 Y / 277 V
LC1D09 (ac)	20 A	20 A
LC1D12 (ac)	25 A	20 A
LC1D18 (ac)	32 A	25 A
LC1D25 (ac)	40 A	40 A
LC1D32 (ac)	50 A	50 A
LC1DT20 (ac)	20 A	20 A
LC1DT25 (ac)	25 A	25 A
LC1DT32 (ac)	32 A	32 A
LC1DT40 (ac)	40 A	40 A

Only applicable for UL/CSA marked products.

Definite Purpose ratings, 3 Phase, Breaking All Lines Hermetic refrigeration compressor				
Device	FLA	LRA		
		240 V	480 V	600 V
LC1D09 (ac)	9	54	45	36
LC1D12 (ac)	12	72	60	48
LC1D18 (ac)	18	108	90	72
LC1D25 (ac)	25	150	125	100
LC1D32 (ac)	32	192	160	128

Only applicable for UL/CSA marked products.

Elevator Duty HP ratings					
	One Phase	Three Phases			
	230 V	200/208 V	230 V	460 V	575 V
LC1D12 (ac)	1.5	2	3	7.5	7.5
LC1D18 (ac)	3	5	5	-	-
LC1D25 (ac)	3	5	7.5	15	20
LC1D32 (ac)	5	10	-	-	-

Only applicable for UL/CSA marked products.

3P AC TeSys D contactors are grade 3 (LC1D09 -> LC1D18) and grade 2 (LC1D25 -> LC1D38) according to GB 21518.
 Maximum power consumption lower than 9.5 VA.
 根据GB 21518标准, 三极 TeSys D系列交流接触器能效等级为3级 (LC1D09 -> LC1D18)和2级 (LC1D25 -> LC1D38), 产品最大吸持功率低于9.5VA。

⚠ ⚠ DANGER / 危險

HAZARD OF ELECTRIC SHOCK, EXPLOSION, OR ARC FLASH

Disconnect all power before servicing equipment.

Failure to follow these instructions will result in death or serious injury.

可能有触电、爆炸或者电弧灼伤的危险

在此电力设备上进行操作时，请先断开所有电源。

不遵循上述规定将可能导致人员伤亡。

⚠ ⚠ WARNING / 警告

RISK OF FIRE OR ELECTRIC SHOCK (FOR CONTACTOR WITH UL HI-FAULT SHORT CIRCUIT CURRENT RATINGS ONLY)

■ The opening of the branch-circuit protective device may be an indication that a fault current has been interrupted.

■ To reduce the risk of fire or electric shock, current-carrying parts and the other components of the controller should be examined and replaced if damaged.

Failure to follow these instructions can result in death, serious injury, or equipment damage.

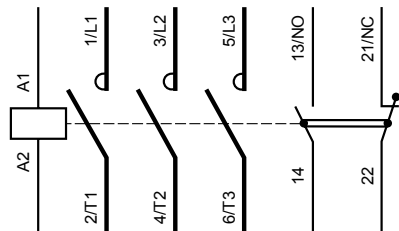
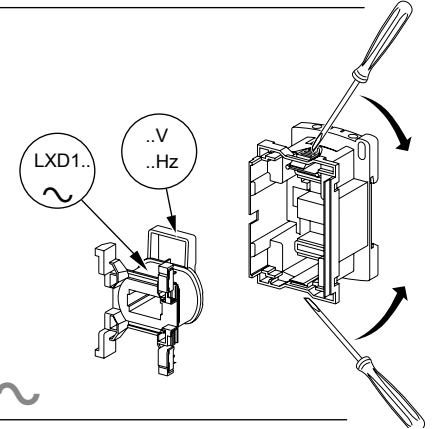
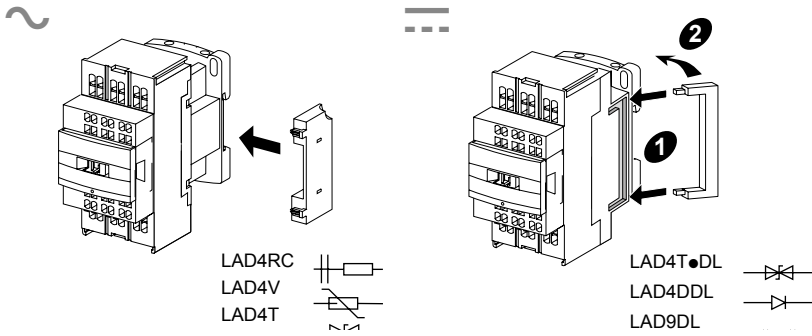
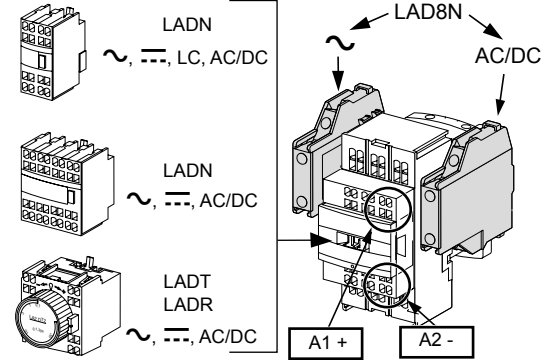
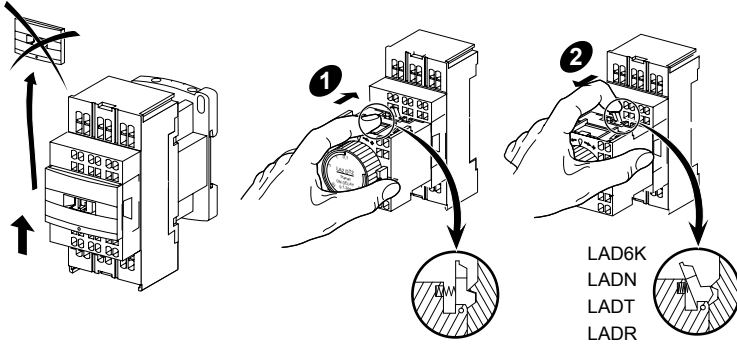
有火灾或电弧灼伤危险（仅当继电器发生超高故障短路电流时）

■ 分支电流保护装置断开可能表明某故障电流已被切断。

■ 为减少火灾或电弧灼伤的危险，应经常检查和更换（如损坏）控制器的带电部分及其它部件。

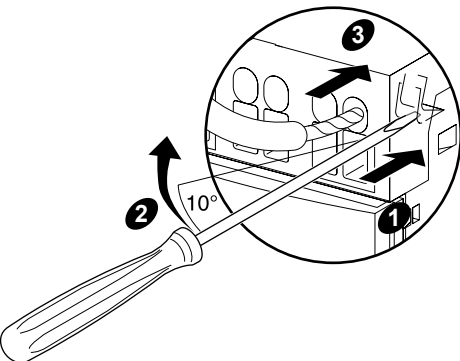
不遵循上述说明可能导致人员伤亡或设备损坏。

"For Motor Starting Use Schneider Electric Overload Relay Series LR".



~ : Alternative current coil
 --- : Continuous current coil

LC : Continuous 100mA current coil
 AC/DC : Alternative and continuous current coil



					AWG	
		[mm ²]	[mm ²]			
d	LC1D093/D123/ DT203/D0983	10 mm 3/8"	1...2,5	1...2,5	AWG14-18 CU 75°C Solid or Stranded	3,5 mm
	LC1D183/D253/ DT253/D1283	10 mm 3/8"	1...4	1...4	AWG10-18 CU 75°C Solid or Stranded	4 mm
	LC1D323	10 mm 3/8"	1...4	1...4	-	4 mm
d	LC1DT323/DT403/ D1883/D2583	13 mm 1/2"	1...10	-	AWG10-14 CU 75°C Solid AWG8-14 CU 75°C Stranded	4 mm
	LC1D●●3	8 mm 5/16"	1...2,5	1...2,5	AWG14-18 CU 75°C Solid or Stranded	3,5 mm

LC1D●●3

3P AC TeSys D contactors are grade 3 (LC1D09 -> LC1D18) and grade 2 (LC1D25 -> LC1D38) according to GB 21518.

Maximum power consumption lower than 9.5 VA.

根据GB 21518标准，三极 TeSys D系列交流接触器能效等级为3级 (LC1D09 -> LC1D18) 和2级 (LC1D25 -> LC1D38)，产品最大吸持功率低于9.5VA。