

1SET151002R0000 ✓ ACTIVE

ENTRELEC

TE Internal #: 1SET151002R0000

Crimp Wire Pins, Tabs & Ferrules, Wire Pin, Pin Diameter 1.78 mm [.

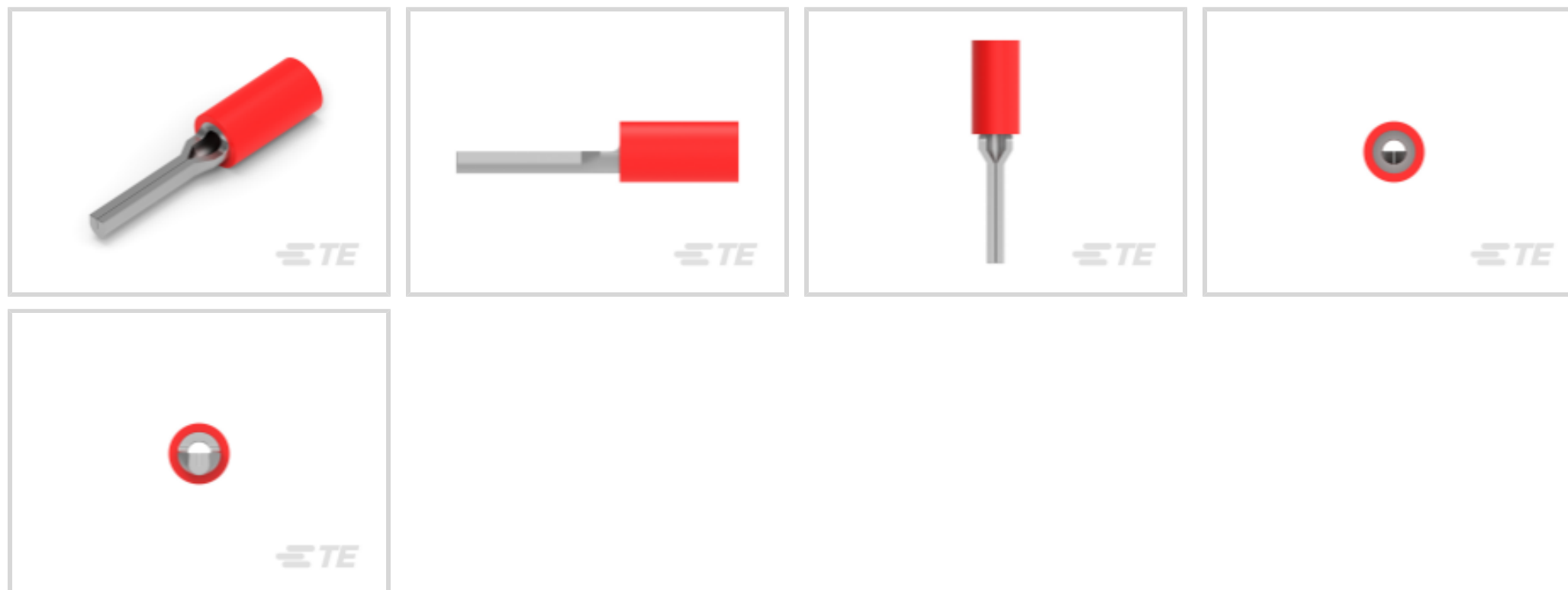
07 in], 22 – 16 AWG Wire Size, .3 – 1.42 mm² Wire Size, 509 – 3260

CMA Wire Size

[View on TE.com >](#)



Terminals & Splices > Crimp Wire Pins, Tabs & Ferrules > Wire pins vinyl insulated



Crimp Wire Pin, Tab & Ferrule Terminal Type: **Wire Pin**

Pin Diameter: **1.78 mm [.07 in]**

Accepts Wire Insulation Diameter Range: **2.67 – 3.36 mm, 3.71 mm [.105 – .14 in, .146 in]**

Wire Size: **.3 – 1.42 mm²**

[All Wire pins vinyl insulated \(8\)](#)

Features

Product Type Features

Shape Description	WIRE PIN-001
Sealable	No
Compatible With Discrete Wire Type	Stranded
Wire Insulation Support Retention Type	Insulation Support

Configuration Features

Compatible With Wire & Cable Type	Discrete Wire
-----------------------------------	---------------

Body Features

Sleeve Material	PVC
Insulation Sleeve Material	Vinyl
Double Wire	No
Insulation Color	Red
Insulation Material	PVC

Contact Features



Terminal Length	9.9 mm[.39 in]
Crimp Wire Pin, Tab & Ferrule Terminal Type	Wire Pin
Barrel Type	Closed
Terminal Plating Material	Tin
Pin Type	Formed
Pin Style	Round
Terminal Orientation	Straight

Termination Features

Bullet Terminal	Without
-----------------	---------

Mechanical Attachment

Wire Insulation Support	Without
-------------------------	---------

Dimensions

DIN Wire Size	.5 – 1 mm ²
Pin Diameter	1.78 mm[.07 in]
Accepts Wire Insulation Diameter Range	2.67 – 3.36 mm, 3.71 mm[.105 – .14 in][.146 in]
Wire Size	509 – 3260 CMA
Barrel Inside Diameter	3.7 mm[.145 in]
Terminal Material Thickness	.79 mm[.031 in]
Overall Product Length	23.82 mm[.938 in]

Usage Conditions

Insulation Option	Partially Insulated
Operating Temperature Range	105 °C[221 °F]

Operation/Application

Heavy Duty	No
------------	----

Packaging Features

Packaging Quantity	1000
Packaging Method	Loose Piece

Other

Barrel Color	Red
--------------	-----

Product Compliance

[For compliance documentation, visit the product page on TE.com>](#)











EU RoHS Directive 2011/65/EU	Compliant
EU ELV Directive 2000/53/EC	Compliant
China RoHS 2 Directive MIIT Order No 32, 2016	No Restricted Materials Above Threshold
EU REACH Regulation (EC) No. 1907/2006	Current ECHA Candidate List: JUNE 2022 (224) Candidate List Declared Against: JAN 2022 (223) Does not contain REACH SVHC
Halogen Content	Not Low Halogen - contains Br or Cl > 900 ppm.
Solder Process Capability	Not reviewed for solder process capability

Product Compliance Disclaimer

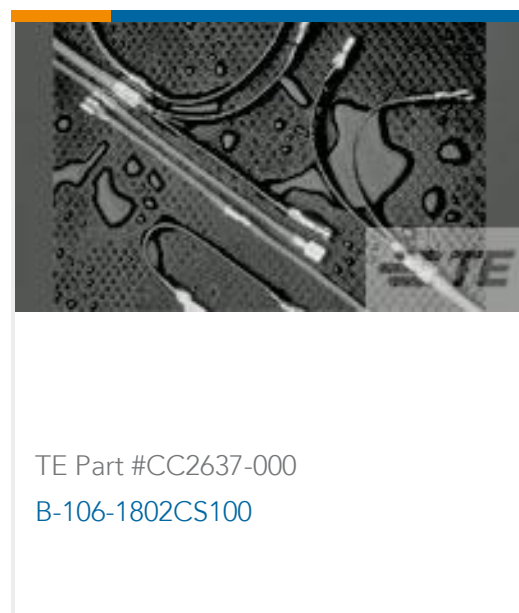
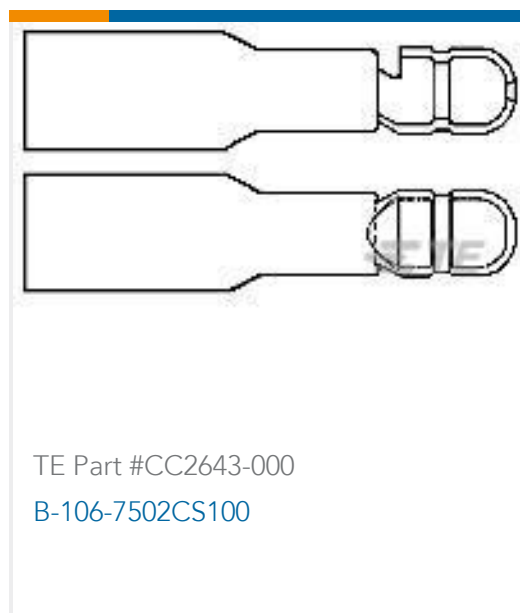
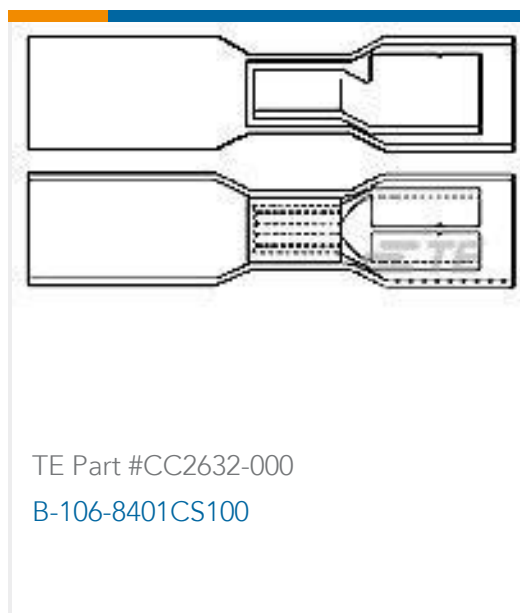
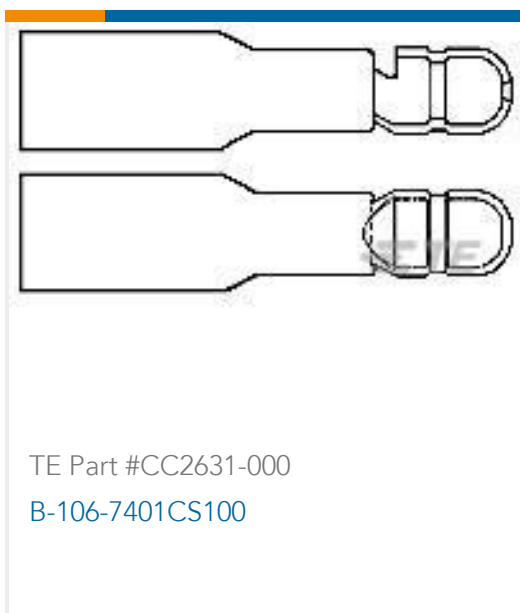
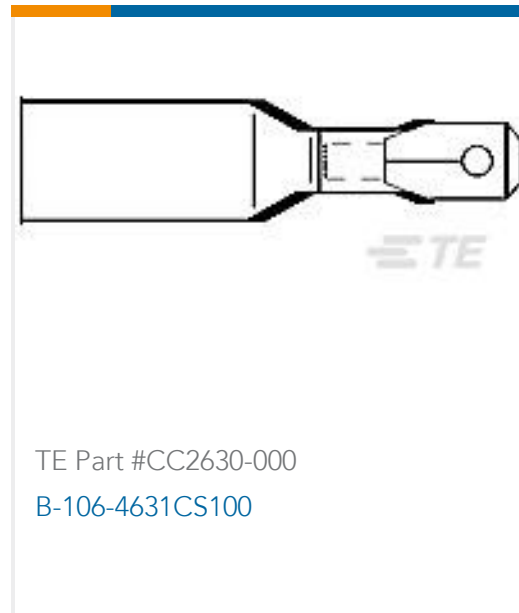
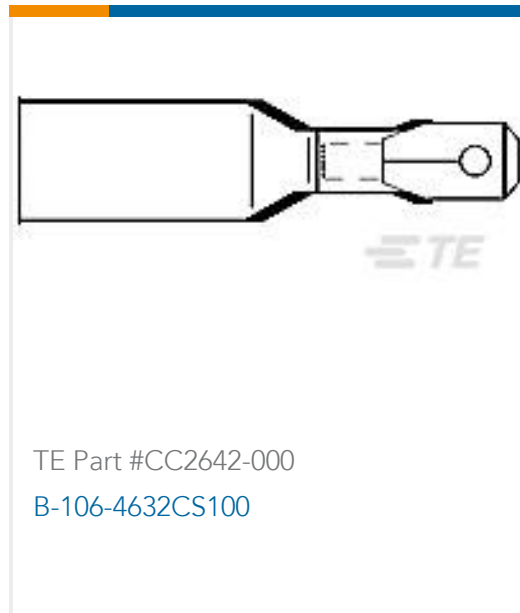
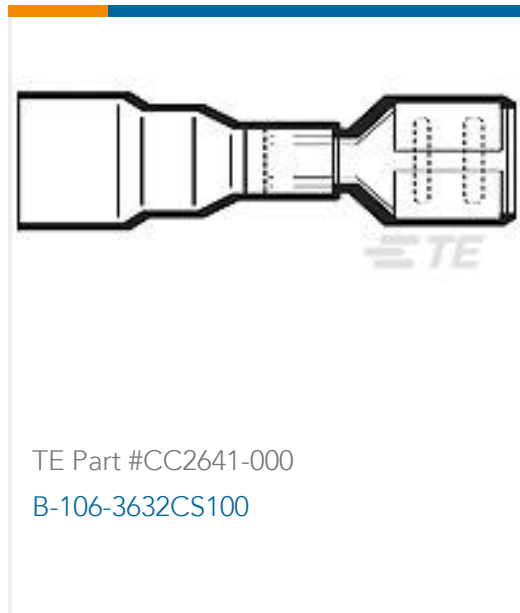
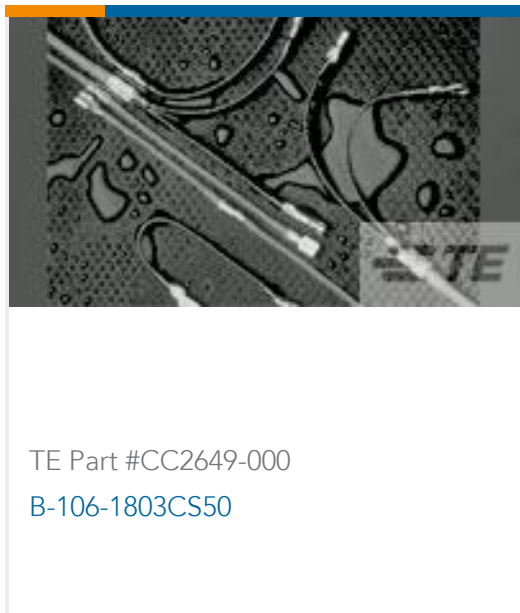
This information is provided based on reasonable inquiry of our suppliers and represents our current actual knowledge based on the information they provided. This information is subject to change. The part numbers that TE has identified as EU RoHS compliant have a maximum concentration of 0.1% by weight in homogenous materials for lead, hexavalent chromium, mercury, PBB, PBDE, DBP, BBP, DEHP, DIBP, and 0.01% for cadmium, or qualify for an exemption to these limits as defined in the Annexes of Directive 2011/65/EU (RoHS2). Finished electrical and electronic equipment products will be CE marked as required by Directive 2011/65/EU. Components may not be CE marked. Additionally, the part numbers that TE has identified as EU ELV compliant have a maximum concentration of 0.1% by weight in homogenous materials for lead, hexavalent chromium, and mercury, and 0.01% for cadmium, or qualify for an exemption to these limits as defined in the Annexes of Directive 2000/53/EC (ELV). Regarding the REACH Regulation, the information TE provides on SVHC in articles for this part number is based on the latest European Chemicals Agency (ECHA) 'Guidance on requirements for substances in articles' posted at this URL: <https://echa.europa.eu/guidance-documents/guidance-on-reach>

Compatible Parts

 <p>TE Part # 59824-1 TETRA-CRIMP PIDG PG FASTON 22-10 ASSY</p>	 <p>TE Part # 58433-3 PRO CR ASSY, RBY IS9252</p>	 <p>TE Part # 59250 T-HEAD PIDG 26-14 ASSY</p>	 <p>TE Part # 58423-1 DIE, RBY IS9252</p>
 <p>REPRESENTATION ONLY</p> <p>TE Part # 47386 DAHT PG PIDG 26-16 ASSY</p>	 <p>TE Part # 539691-2 ERGO DIE R.B.Y</p>	 <p>TE Part # 2063030-1 SDE DIESET, RBY, UL</p>	 <p>TE Part # 4-1377173-2 SMP 0-0165167-0</p>



Customers Also Bought



Documents

Product Drawings

WP015-V

English

CAD Files

3D PDF

3D

Customer View Model

ENG_CVM_CVM_1SET151002R0000_A.2d_dxf.zip



English

Customer View Model

[ENG_CVM_CVM_1SET151002R0000_A.3d_igs.zip](#)

English

Customer View Model

[ENG_CVM_CVM_1SET151002R0000_A.3d_stp.zip](#)

English

By downloading the CAD file I accept and agree to the [Terms and Conditions](#) of use.

Datasheets & Catalog Pages

[Infographic - entrelec ews-linecard](#)

English

[PLASTI GRIP_QRG](#)

English

Standard Terminals & Splices

English

[Data Sheet - ENTRELEC PVC Insulated Terminals and Splices](#)

English

[Data Sheet - ENTRELEC PVC Insulated Terminals and Splices](#)

French

[Data Sheet - ENTRELEC PVC Insulated Terminals and Splices](#)

German

[Data Sheet - ENTRELEC PVC Insulated Terminals and Splices](#)

[Data Sheet - ENTRELEC PVC Insulated Terminals and Splices](#)

[Data Sheet - ENTRELEC PVC Insulated Terminals and Splices](#)

[Data Sheet - ENTRELEC PVC Insulated Terminals and Splices](#)

[Data Sheet - ENTRELEC PVC Insulated Terminals and Splices](#)

Essential Entrelec Terminal Blocks

French

[Essential Entrelec Terminal Blocks](#)

English

Product Specifications

[Application Specification](#)

English

Product Environmental Compliance

[TE Material Declaration](#)

English

Agency Approvals

[UL Report](#)

English

1SET151002R0000

Crimp Wire Pins, Tabs & Ferrules, Wire Pin, Pin Diameter 1.78 mm [.07 in], 22 – 16
AWG Wire Size, .3 – 1.42 mm² Wire Size, 509 – 3260 CMA Wire Size

