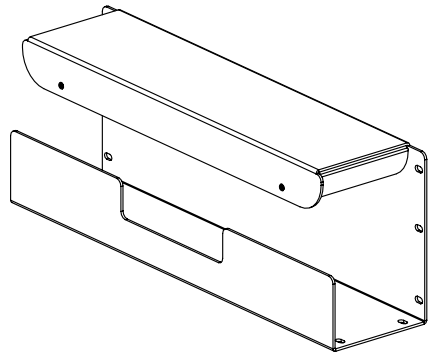


2

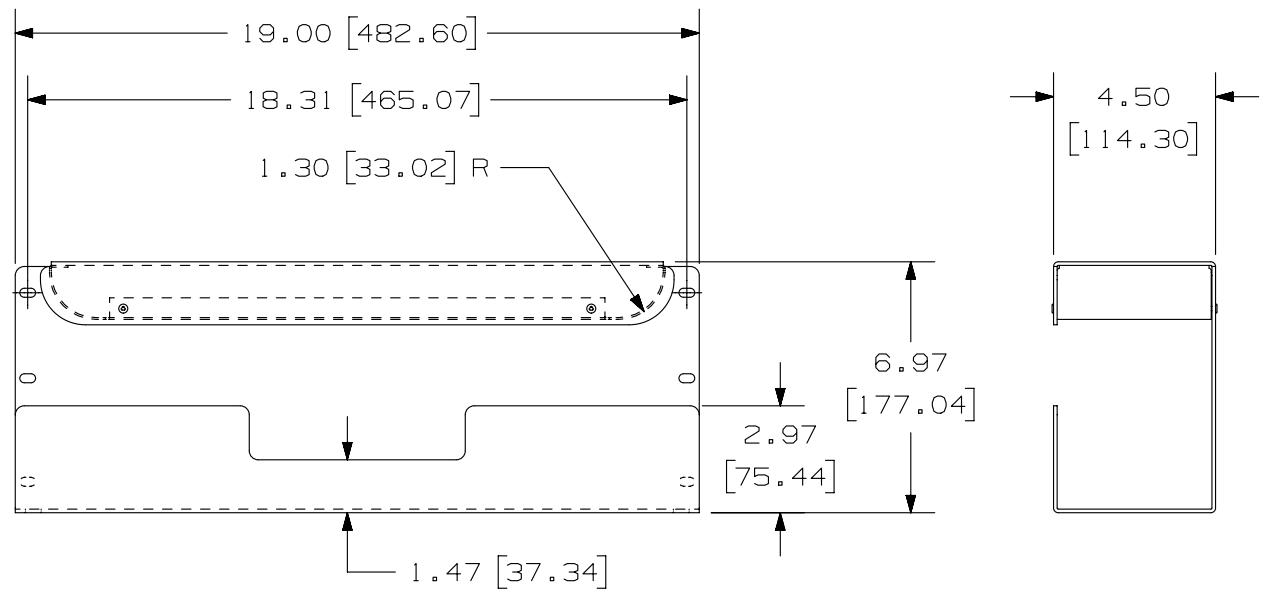
1

THIS COPY IS PROVIDED ON A RESTRICTED BASIS AND IS NOT TO BE USED IN ANY WAY DETRIMENTAL TO THE INTERESTS OF PANDUIT CORP.



NOTES:

1. SEE CATALOG FOR COMPLETE LIST OF PARTS APPLICABLE FOR USE WITH THIS PART.
2. DIMENSIONS IN PARENTHESES ARE IN METRIC.
3. MATERIAL: .10 THICK ALUMINUM
4. FINISH: BLACK POWDER COAT.
5. TROUGH IS DESIGNED TO FIT STANDARD "EIA" AND "WECO" RACK SPACING.



PANDUIT P/N	WEIGHT
CMLT19	5.50 LB/1 PC (2,737 g/1 PC)

REV	DATE	BY	CHK	APR	DESCRIPTION	ECN
06A	4-30-14	BAME	FGR	CMK	REVISED AND REDRAWN; PREVIOUS REVS OMITTED	00852-30

TITLE
CABLE MANAGEMENT LOWER TROUGH 19"
(CMLT19)
 CUSTOMER DRAWING

ITEM REVISION NAME: M00852AB/06

DATASET FILE NAME: M00852AB_DC/06A

UNLESS OTHERWISE SPECIFIED, DIMENSIONAL TOLERANCES ARE: IN (mm)

.X ±	.XXX ±
.XX ±	ANGLES ±

THIRD ANGLE PROJECTION

PANDUIT

MATERIAL:

DRAWING NUMBER: 00852-30

DRAWN BY: BAME	DATE: 4-30-14	CHK: FGR	SCALE: NONE	SHT 1 OF 1	SIZE: A
----------------	---------------	----------	-------------	------------	---------

B

B

A

A

D10100DA/15

2

1