

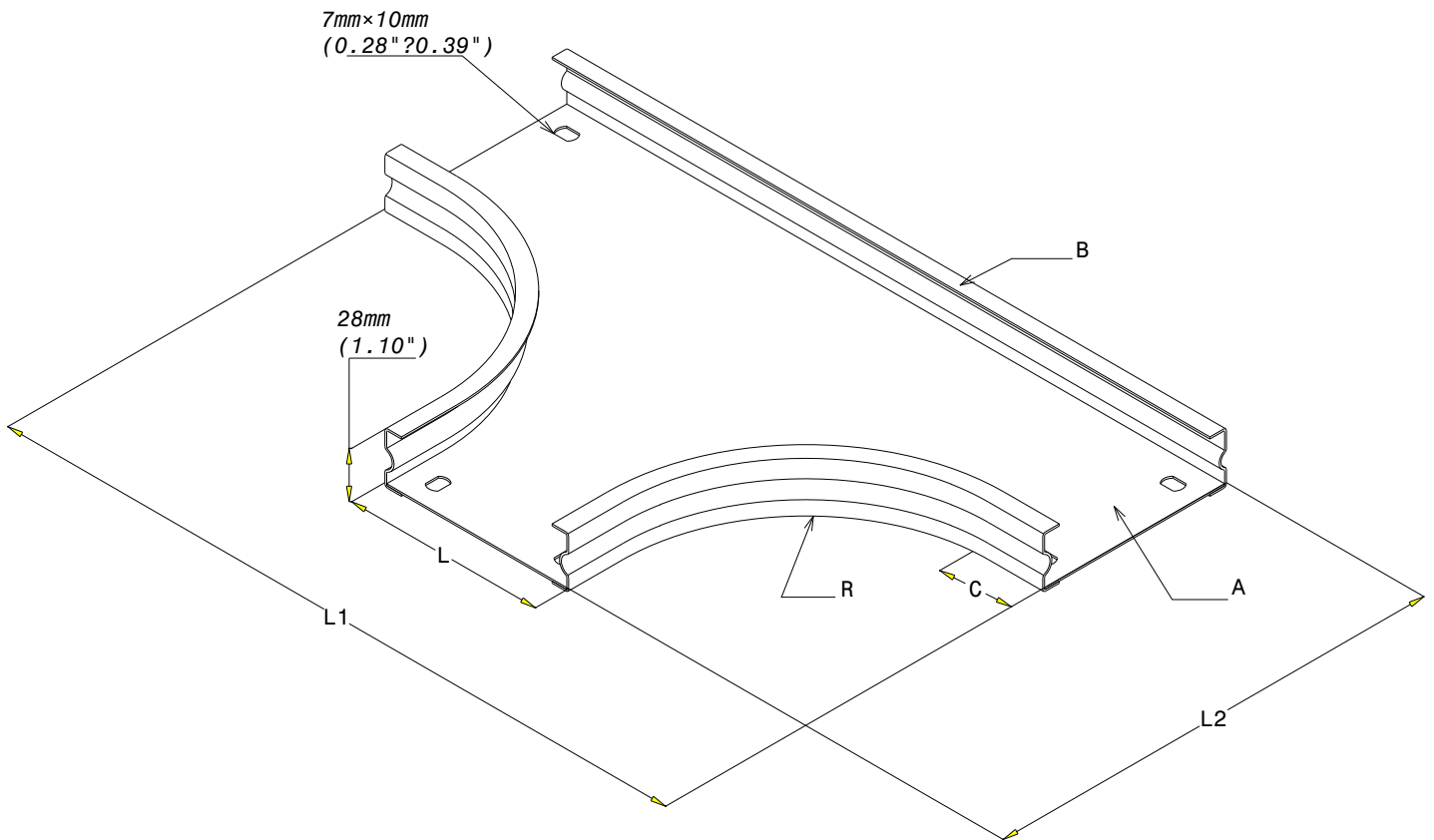
TE P31 T H25 50 à 500
T-PIECE P31 25x50 to 500

GC
HDG

legrand | CABLE
MANAGEMENT

FT0589-0

06 18



REF	CODE	L (mm)	/L (inch)	A (mm)	/A (inch)	B (mm)	/B (inch)	C (mm)	/C (inch)	R (mm)	/R (inch)	L1 (mm)	/L1 (inch)	L2 (mm)	/L2 (inch)
P31 T 25x50	343 095	50	(1.97")	0.8	0.032"	1	0.039"	30	(1.18")	20	(1.78")	148	(5.83")	99	(3.90")
P31 T 25x75	343 096	75	(2.92")	0.8	0.032"	1	0.039"	30	(1.18")	100	(3.94")	333	(13.11")	204	(8.03")
P31 T 25x100	343 097	100	(3.94")	0.8	0.032"	1	0.039"	30	(1.18")	100	(3.94")	358	(14.11")	229	(9.02")
P31 T 25x150	343 098	150	(5.91")	0.8	0.032"	1	0.039"	30	(1.18")	100	(3.94")	408	(16.08")	279	(10.99")
P31 T 25x200	343 099	200	(7.87")	0.8	0.032"	1	0.039"	30	(1.18")	100	(3.94")	458	(18.05")	329	(12.96")
P31 T 25x300	343 100	300	(11.81")	1	0.039"	1	0.039"	30	(1.18")	100	(3.94")	558	(21.99")	429	(16.90")
P31 T 25x400	343 101	400	(15.75")	1	0.039"	1	0.039"	50	(1.97")	150	(5.91")	798	(31.44")	599	(23.60")
P31 T 25x500	343 102	500	(19.69")	1	0.039"	1	0.039"	50	(1.97")	150	(5.91")	898	(35.38")	699	(27.54")

MATIERE / MATERIALE
DC01
PROTECTION / COATING
HDG

NORMES
STANDARD

EN 10 130

ISO 1461