

Part number

# AH M25IF



Complete cable gland, M25, for diameter  
12-15 mm

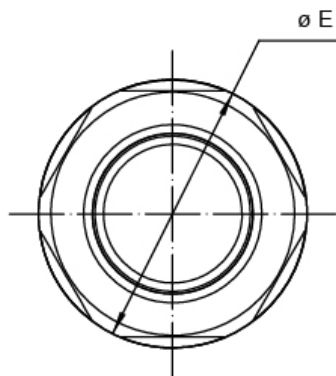
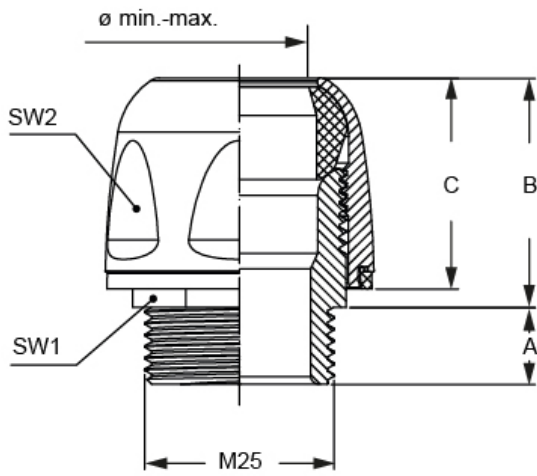
| Product description                           |  | General ordering information     |                   |
|---|--|----------------------------------|-------------------|
| <b>Product type</b>                           | Complete cable gland                         | <b>EAN13 code</b>                | 8015747262866     |
| <b>Cable entry</b>                            | M25  | <b>eCl@ss 8.1</b>                | 27149109          |
| <b>Specification</b>                          | For diameter 12-15 mm<br>For T-TYPE HYGIENIC | <b>ETIM 7.0</b>                  | EC000441          |
| Technical data                                |  | Packaging Information            |                   |
| <b>IP degree of protection</b>                | IP68/IP69                                    | <b>Sub-packaging weight</b>      | 0,11 kg           |
| Further technical details                     |  | <b>Sub-packaging description</b> | Plastic packaging |
| <b>Weight</b>                                 | 21,00 g                                      | <b>Sub-packaging quantity</b>    | 5 Pcs             |
| <b>Operating temperature range (min, max)</b> | -20 °C...+85 °C                              | <b>Sub-packaging EAN barcode</b> | 8015747262903     |

Part number

# AH M25IF



## Catalogue drawings



| part No.  | A  | B  | C  | SW1 | SW2 | ø E  | ø min.-max. |
|-----------|----|----|----|-----|-----|------|-------------|
| AH M25IF  | 10 | 30 | 27 | 24  | 32  | 34,9 | 12,0-15,0   |
| AH M25IFL | 10 | 30 | 27 | 24  | 32  | 34,9 | 15,0-18,0   |

## Notes

Dimensions shown in mm are not binding and may be changed without notice.