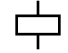


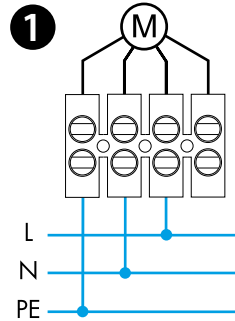



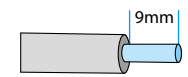


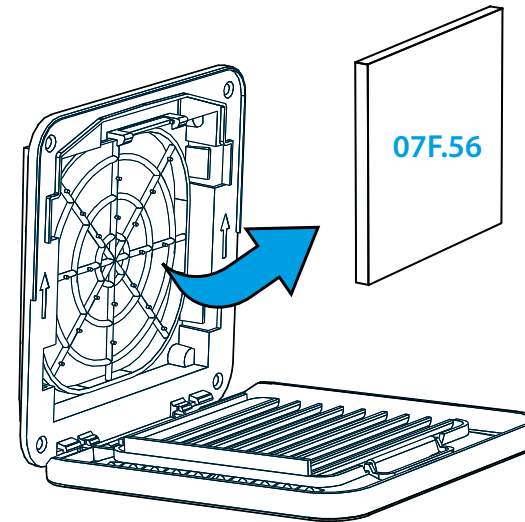
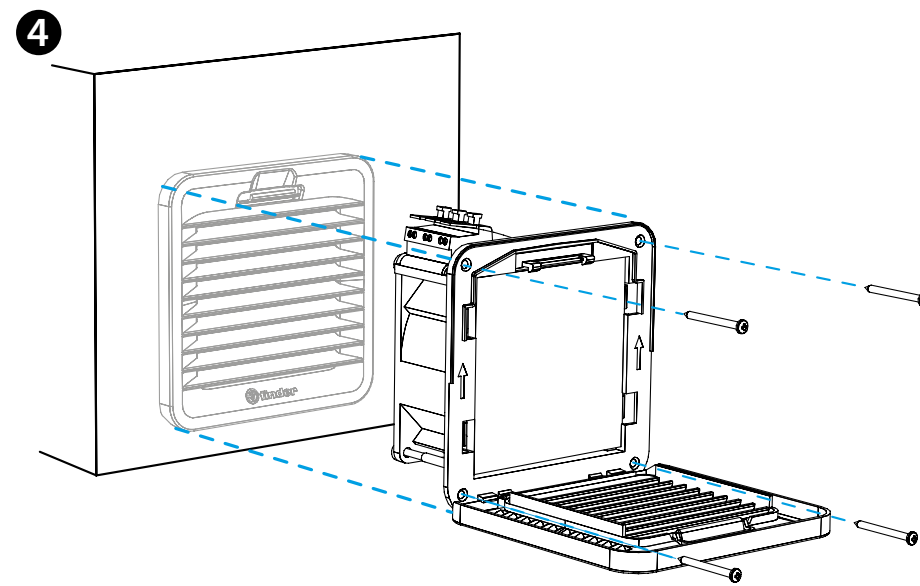
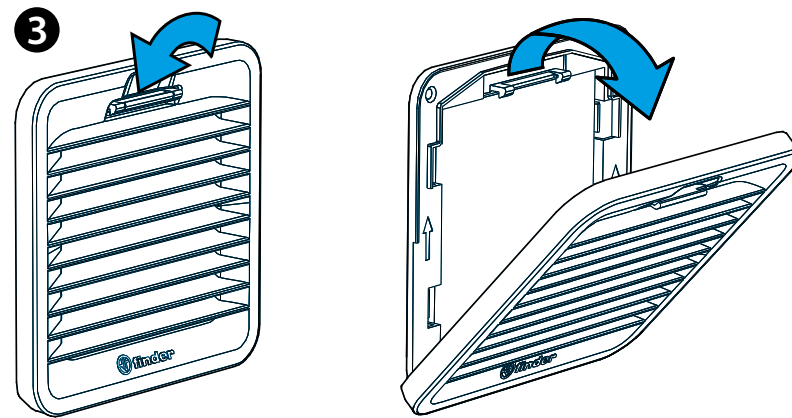
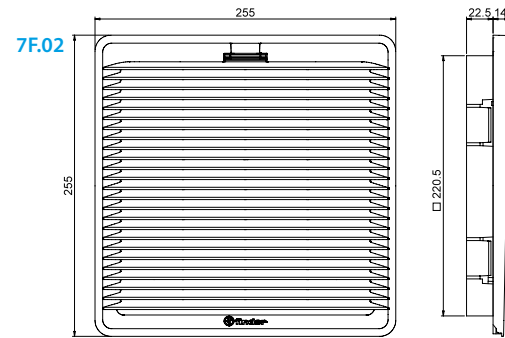
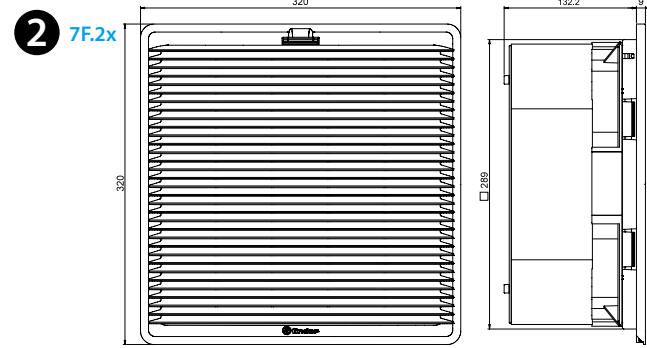
7F.20-5700

7F.02

7F.2x.x.xxx.5700 7F.2x.x.xxx.5700.0	
	U _N 110...120 V AC (50/60 Hz) (8.120) U _N 230...240 V AC (50/60 Hz) (8.230)
	P _N 120 V AC (50/60 Hz) 110/149 W P _N 230 V AC (50/60 Hz) 106/120 W
OUT	m ³ /h (50/60Hz) 660/700
	m ³ /h (50/60Hz) + 7F.02 430/470
	dB (A) 72
(-15...+55)°C	
IP54 / Type 12	
	
For Use on a Flat Surface of a Type 1, 12 Enclosure Use copper conductor only, 90°C min Conductor size 14-18 AWG Surrounding air temperature 40°C	



	0.75...2.5 mm ²
	18...14 AWG
	



ENGLISH

7F.20 FILTER FAN
7F.21 FILTER FAN WITH REVERSE FLOW FILTER

1 WIRING DIAGRAM AC

2 OUTLINE DRAWING (mm)

7F.2x Fan
7F.02 Grid

3 GRID OPENING - FILTER REPLACEMENT

Filter mat 07F.56

Filter mat class

EU3 according to DIN 24185, filtering degree (80...90)%

Filter material

Synthetic fibre with progressive construction, temperature resistant to 100°C, self extinguishing, Class F1 (DIN 53438)

4 MOUNTING (example)

The installation with the only clips is optimized for 1.5 mm thick sheets.

It is also possible with thicknesses from 2.5 mm.

Fixing with screws (supplied) is recommended.

Tightening torque 0.3 Nm.

NOTE

7F.2x.x.xxx.5700 Fan Grey Color RAL 7035

7F.2x.x.xxx.5700.0 Fan Black Color RAL 9004

7F.02.0.000.5000 Grid Grey Color RAL 7035

7F.02.0.000.5000.0 Grid Black Color RAL 9004