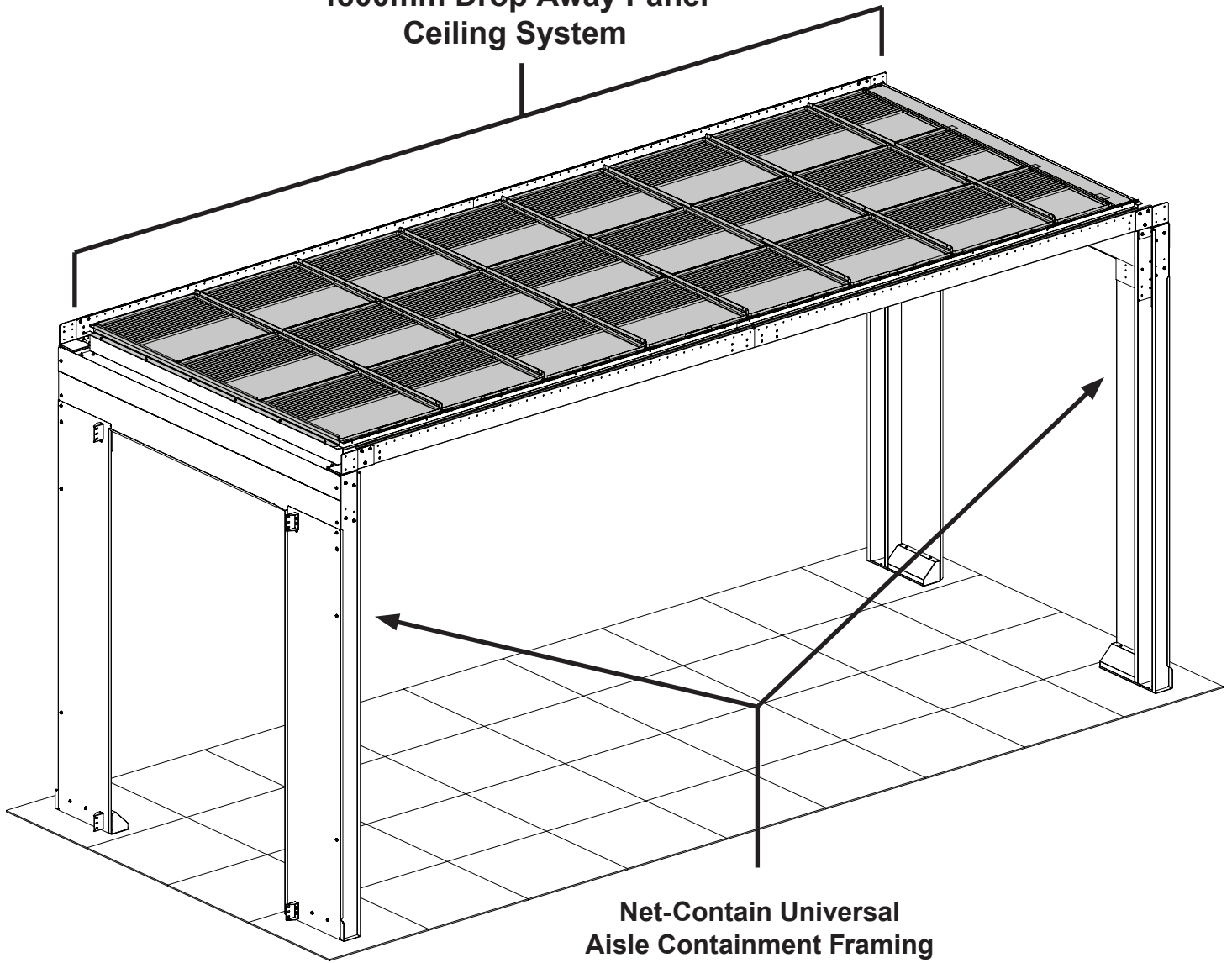


1800mm Drop Away Panel Ceiling System

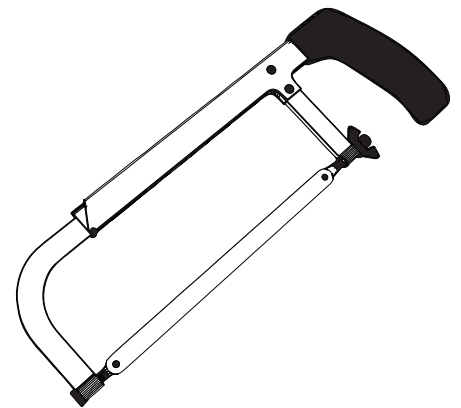
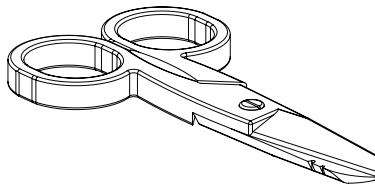
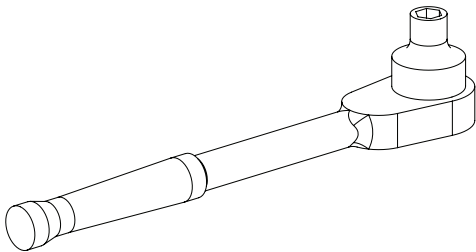


Net-Contain Universal Aisle Containment Framing Not Included

(See Installation Instruction V00029JB)

Tool List:

- 7mm Socket Wrench
- 8mm Socket Wrench
- Scissors
- Hack saw

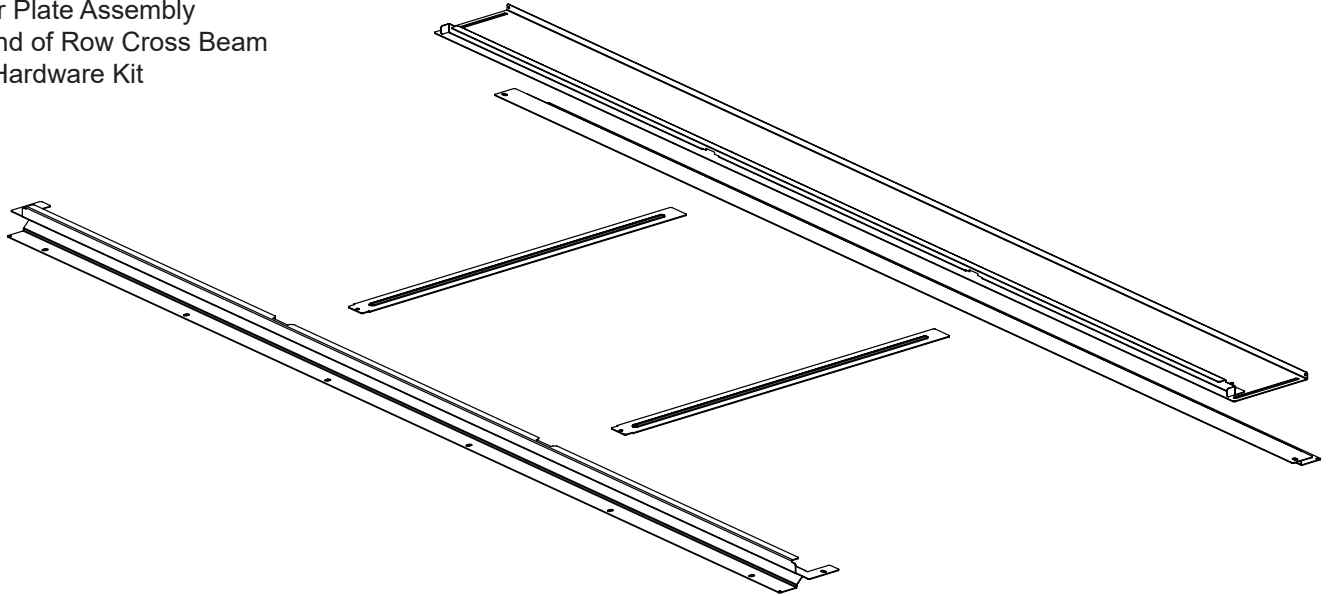


Component Guide for 1800mm Drop Away Panel Ceiling System

1800mm End of Row Kit

CUEORF06DP**

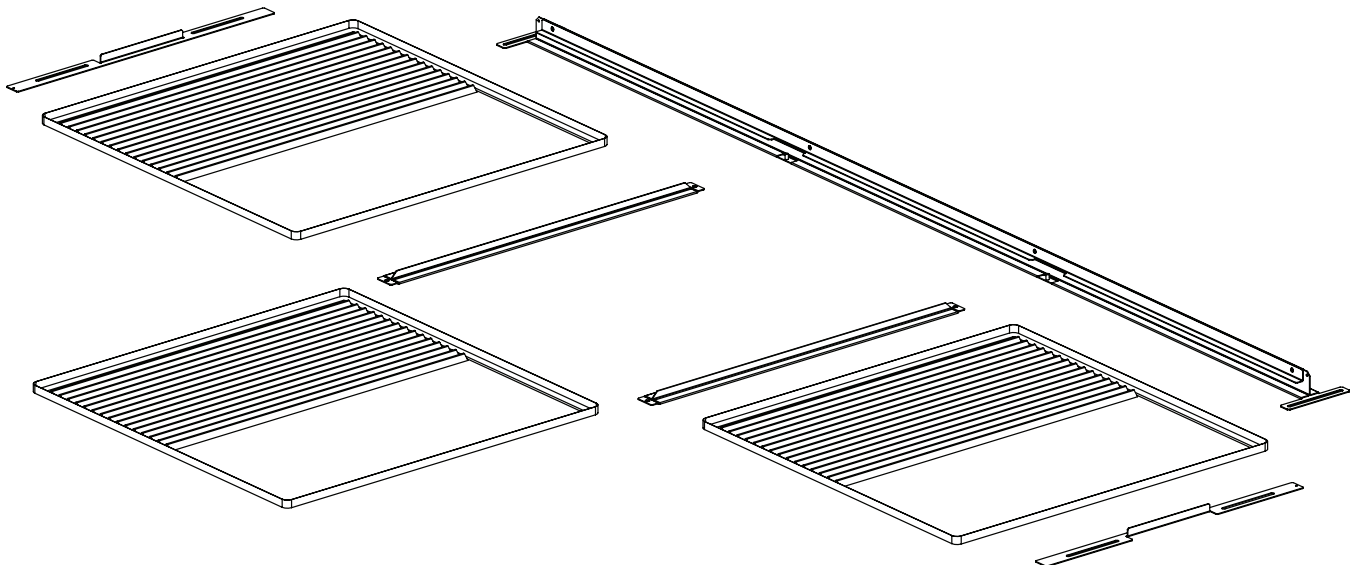
- (1) 1800mm End of Row Beam
- (1) 1800mm Adjustable End of Row Beam
- (1) Slider Plate Assembly
- (2) 1800mm End of Row Cross Beam
- (1) Hardware Kit



1800mm Ceiling Grid

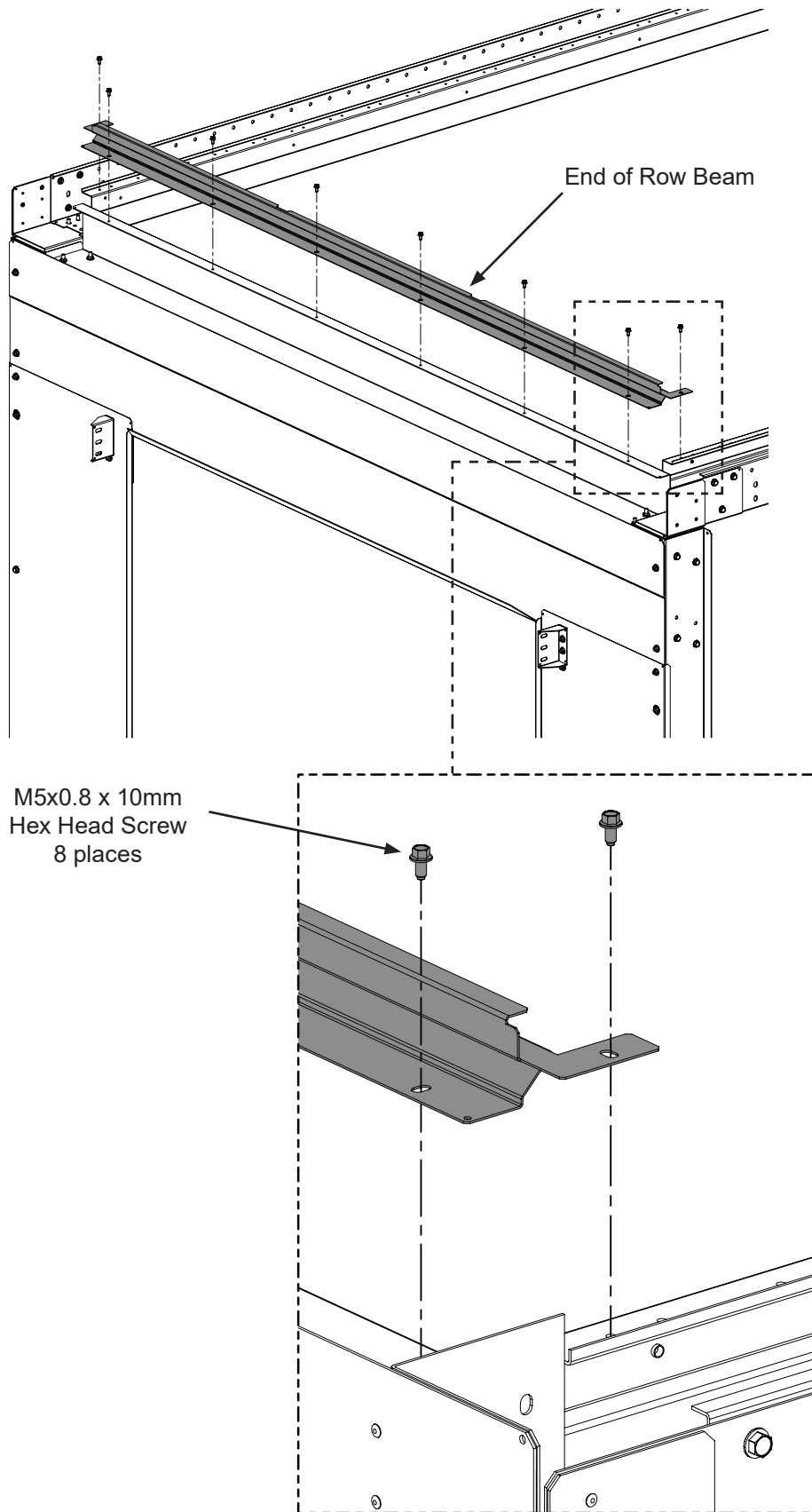
CUCGF06DP**

- (1) 1800mm Aisle Beam Assembly
- (3) 2x2 Drop Away Panel
- (2) Progression Plate
- (2) 1800mm Cross Beam
- (1) Hardware Kit



Installation of the End of Row Beam

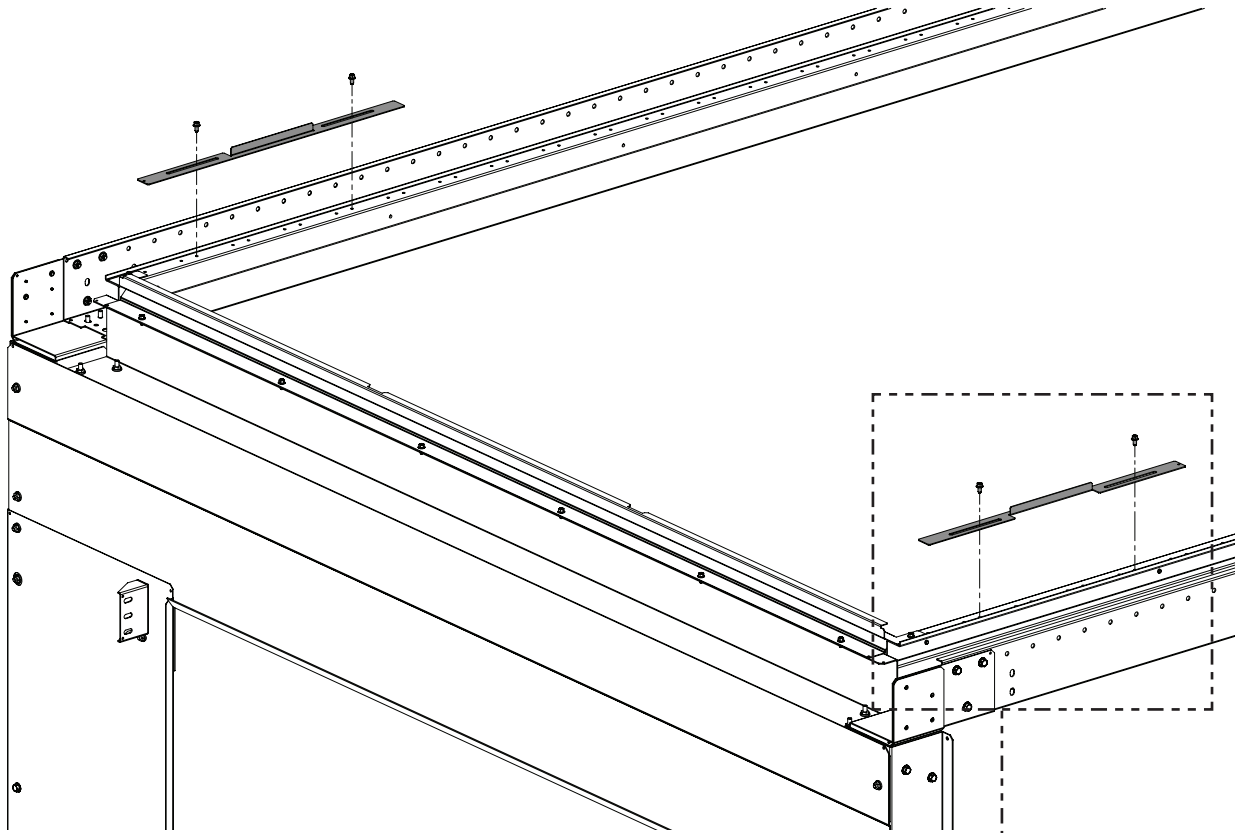
- Install the End of Row Beam onto one end of the Pod. This is where the ceiling grid installation will begin.
- The Adjustable End of Row Beam and Slider Plate Assembly will be installed onto the opposite end of Pod. (see page 8)



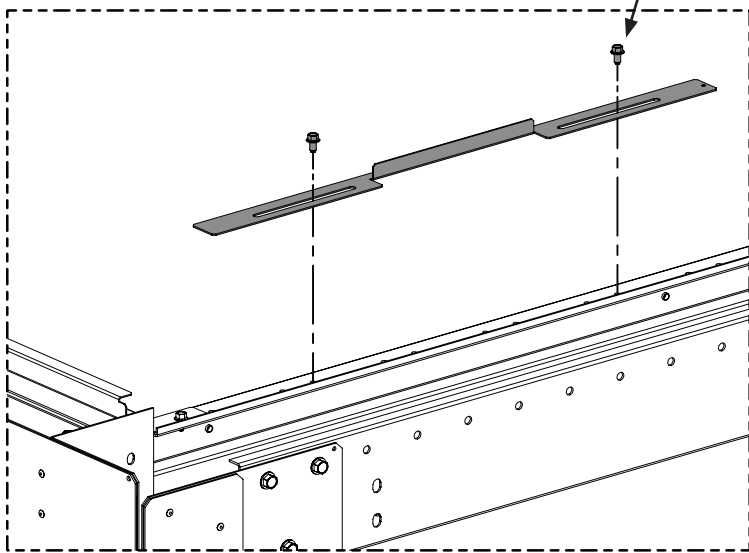
Installation of the Progression Plates

- Install the Progression Plates onto the shelf in the orientation shown.
- Butt the Progression Plates up against the End of Row Beam and tighten down.

1

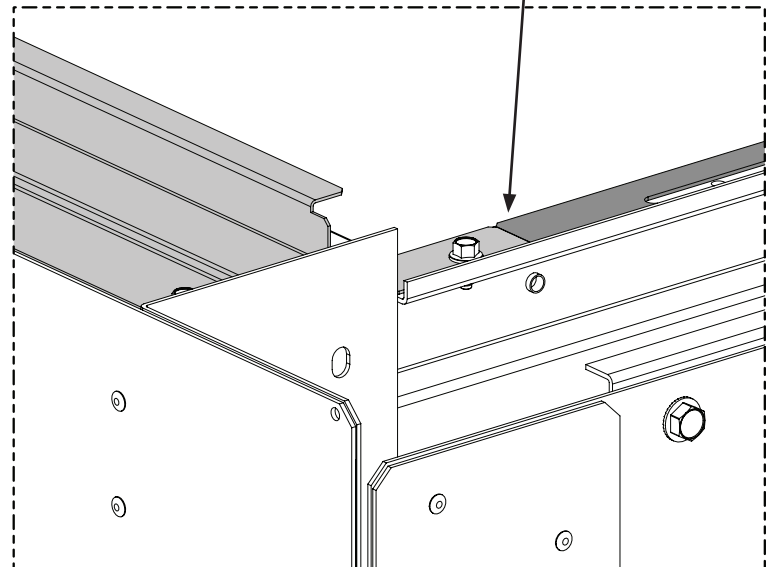


M5x0.8 x 10mm
Hex Head Screw
2 places per side



2

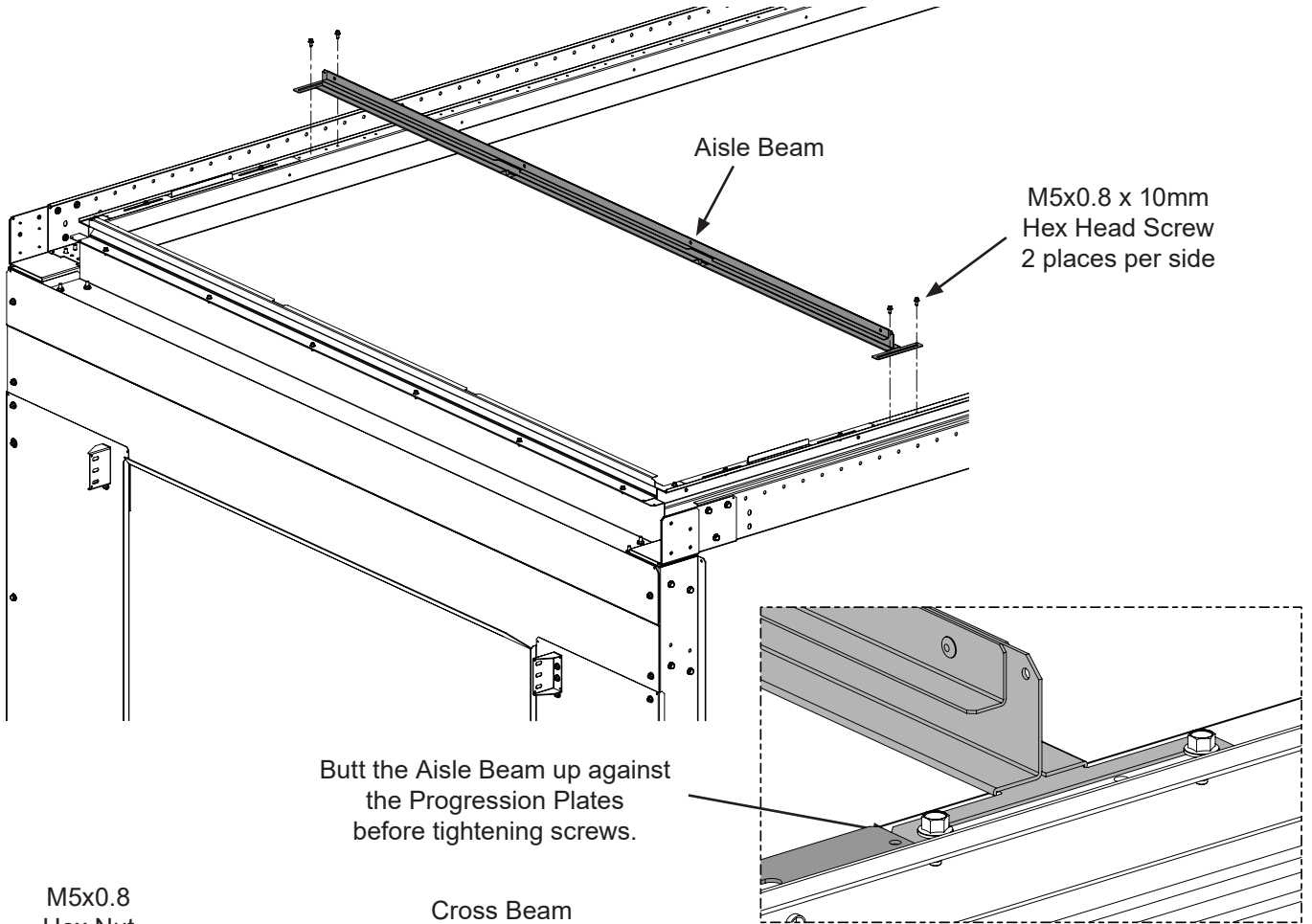
Butt the Progression Plates up against the End of Row Beam before tightening screws.



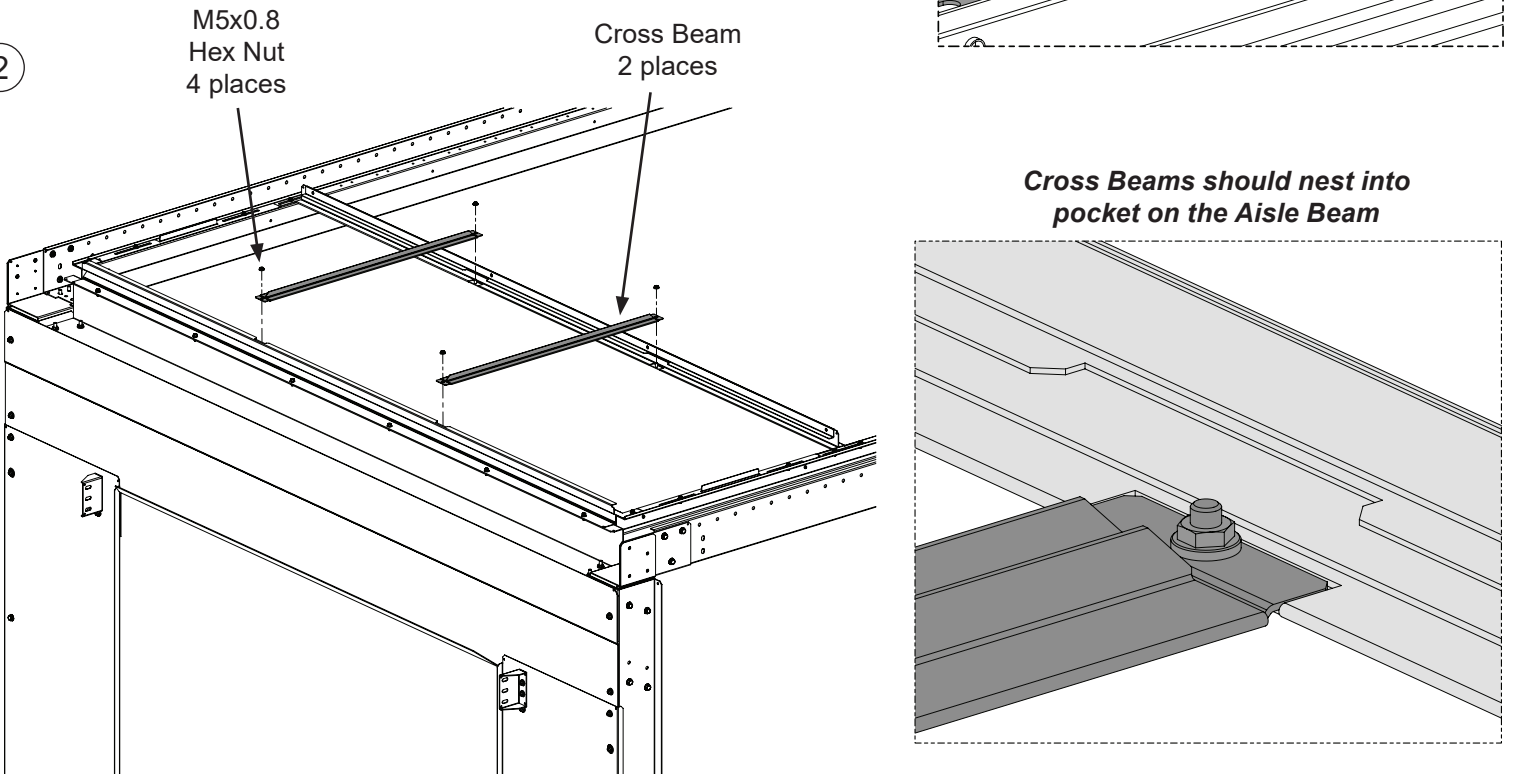
Installation of the Aisle Beam and Cross Beams

- Install each Aisle Beam together with two Cross Beams butting Aisle Beam up to the Progression Plates.
- Install the Cross Beams ensuring that they nest into the Aisle Beam pockets as shown.

1



2

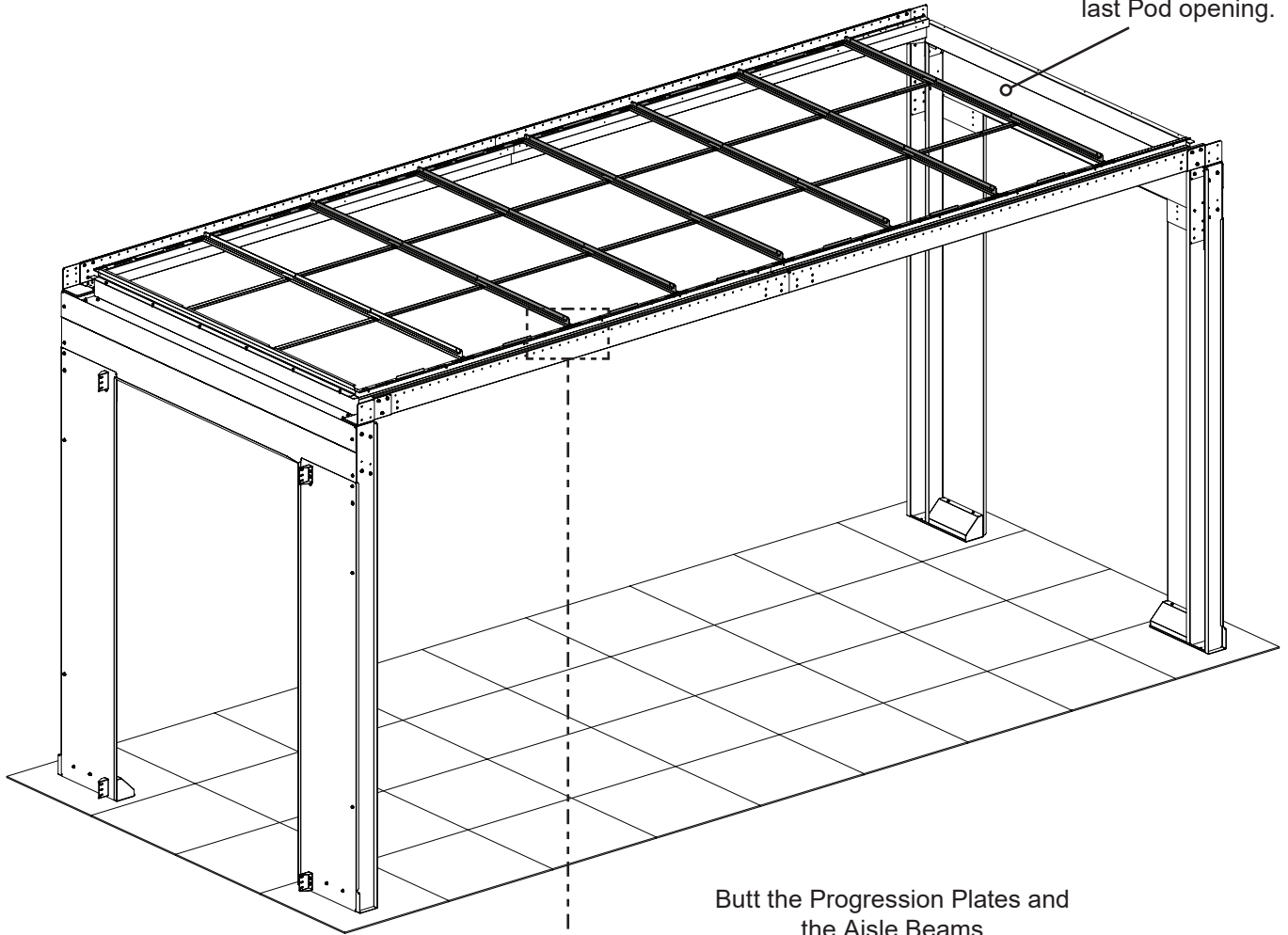


Install all of the remaining Progression Plates, Aisle Beams, and Cross Beams

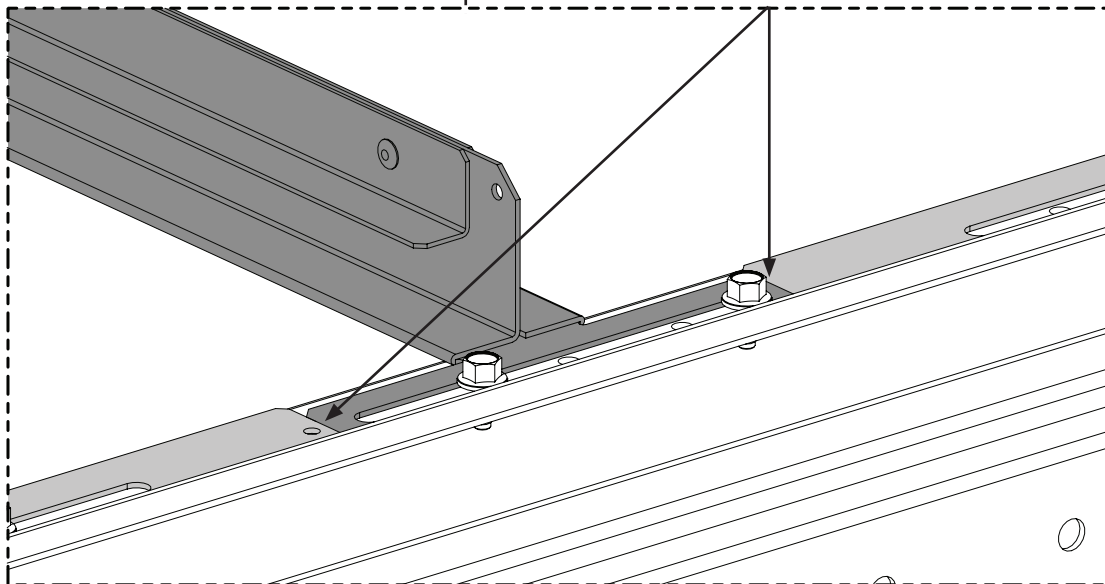
- Install remaining Progression Plates, Aisle Beams, and Cross Beams butting the Aisle Beams and Progression Plates up to each other.

NOTE: Leave last space open. Refer to page 8 for Instructions on last Pod opening.

Refer to page 8 for
Instructions on
last Pod opening.



Butt the Progression Plates and
the Aisle Beams
before tightening screws.



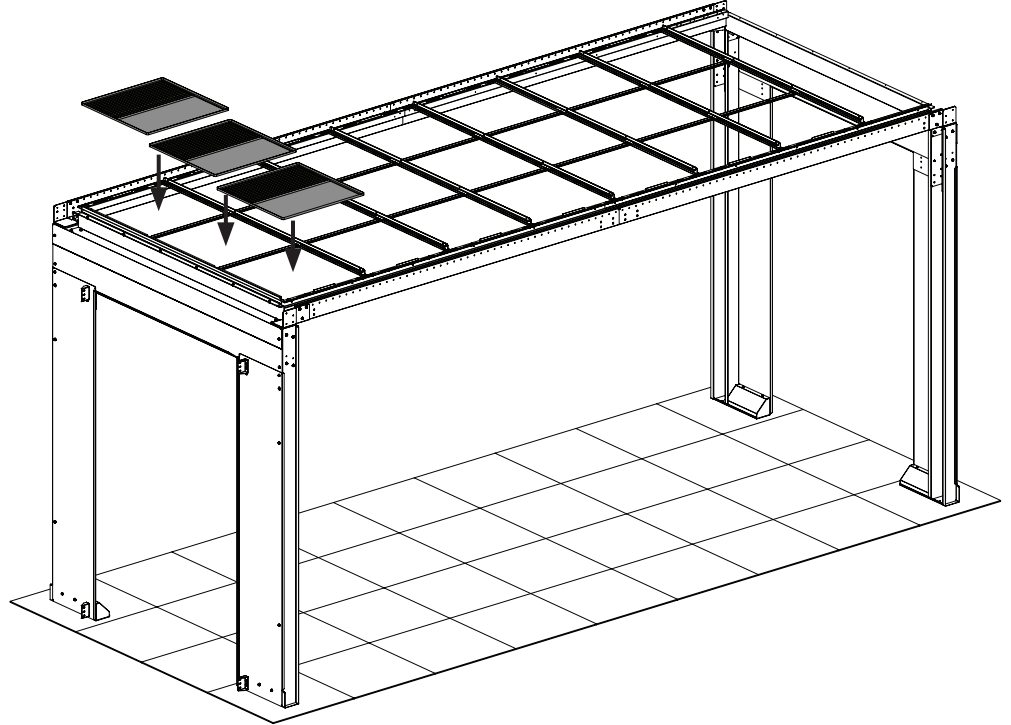
For Technical Support: www.panduit.com/resources/install_maintain.asp

Installation of the Panels

- Install all the Panels by pushing down from the top of Pod.

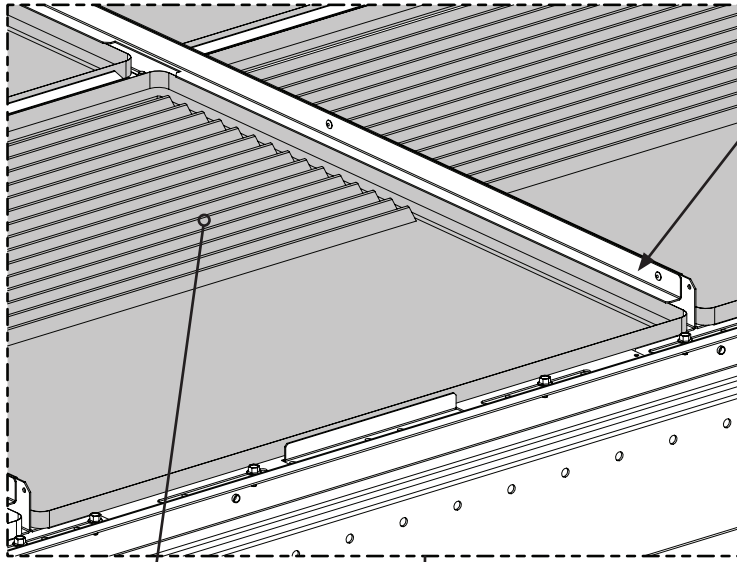
NOTE: Leave last space open. Refer to page 8 for Instructions on last Pod opening.

1



Note: Panel Orientation is critical. Corrugated features must run perpendicular to Aisle Beams as shown.

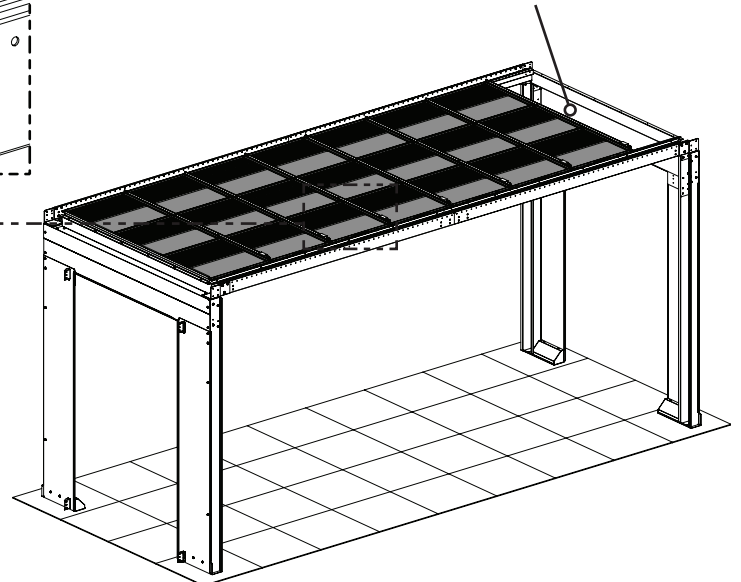
2



Panels snap down below Aisle Beam flanges. Center Panels in grid openings

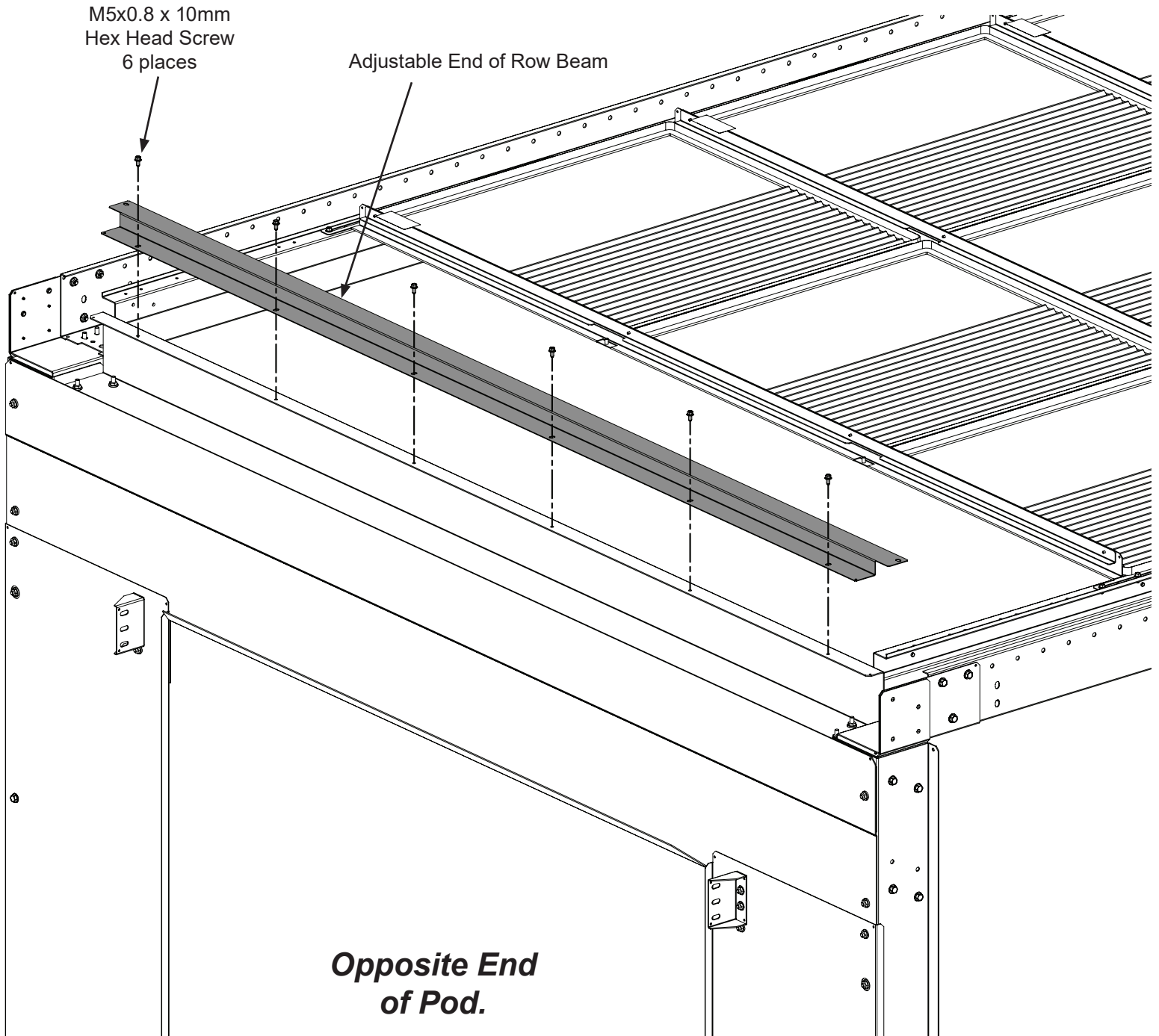
Corrugated feature must run perpendicular to Aisle Beam

Refer to page 8 for Instructions on last Pod opening.



Installation of the the Adjustable End of Row Beam

- Install the Adjustable End of Row Beam onto the opposite end of Pod.



Installation of the last Panels and Slider Plate Assembly with End of Row Cross Beams

Option 1. Last opening is between 23.3" and 27.8"

- Install Slider Plate Assembly with End of Row Cross Beams using full Panels.

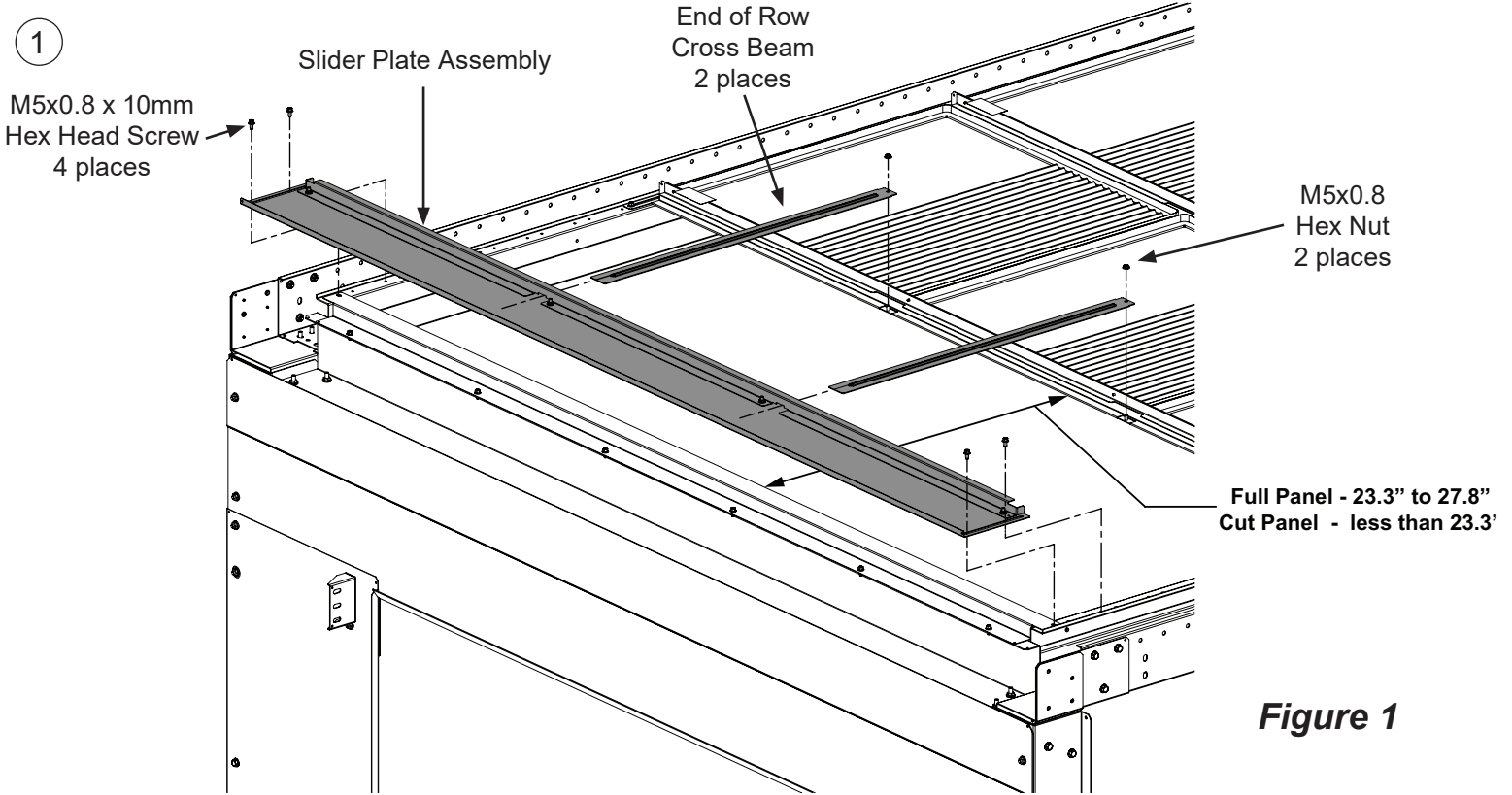
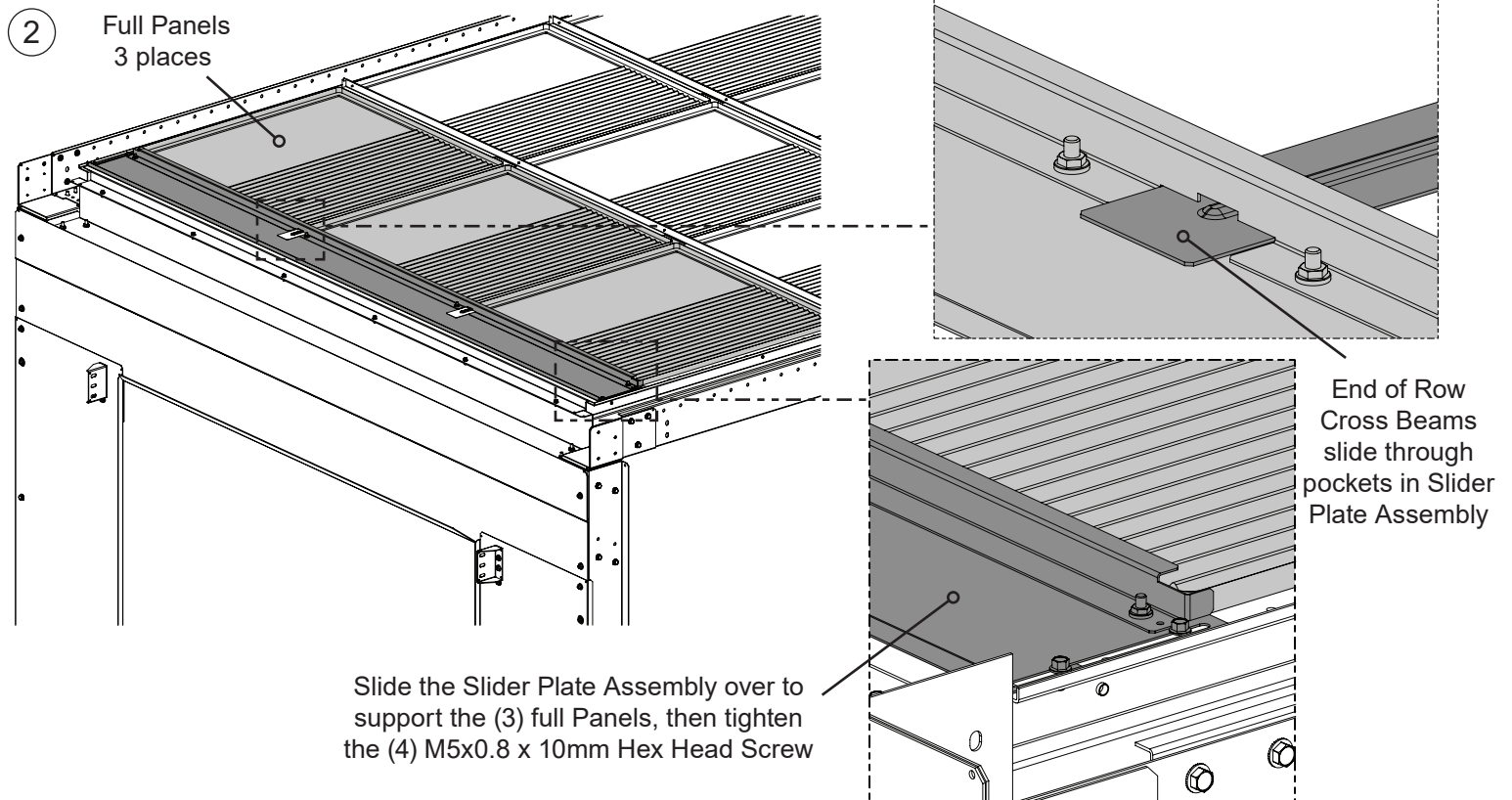
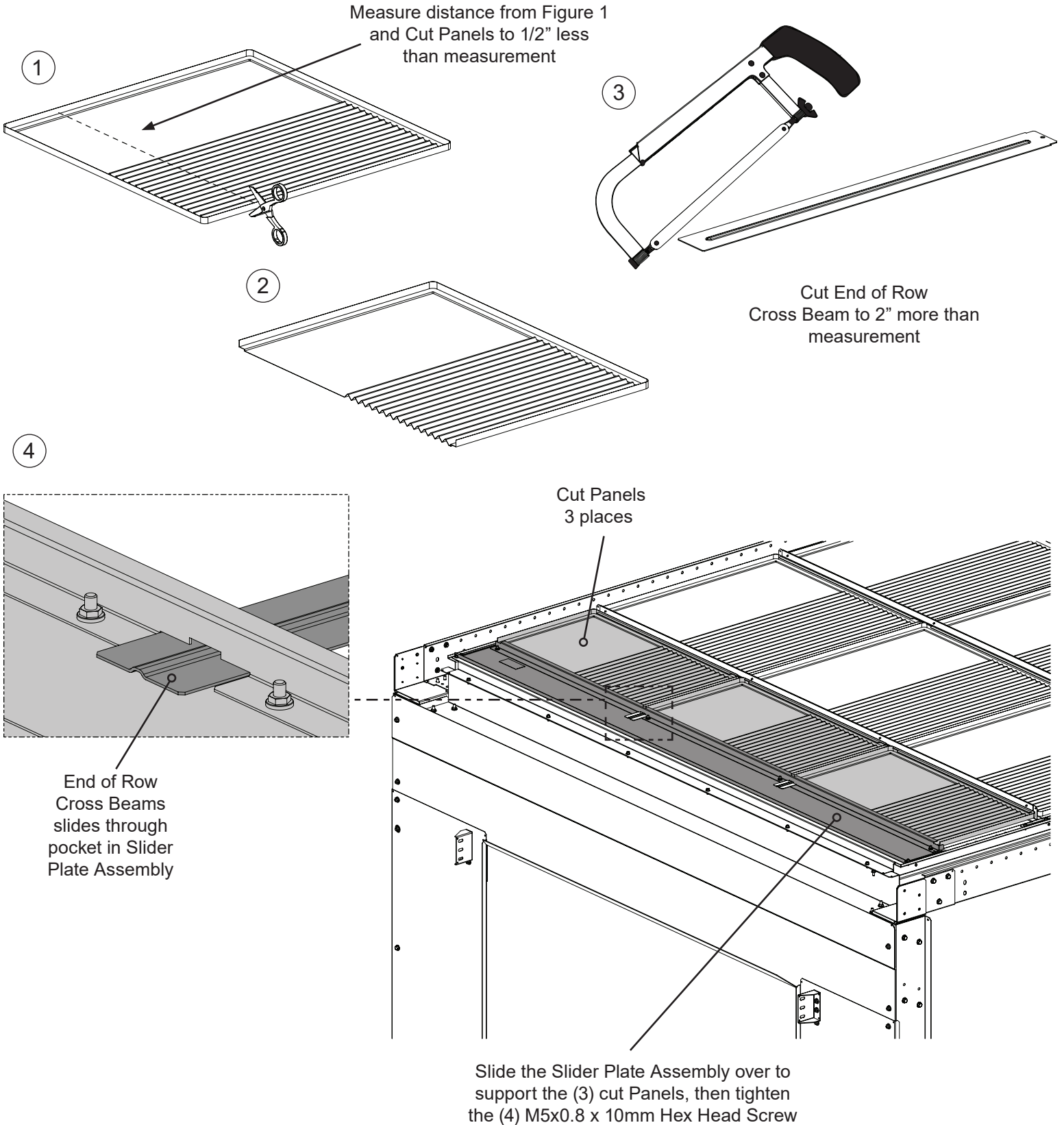


Figure 1



Option 2. Last opening is less than 23.3"

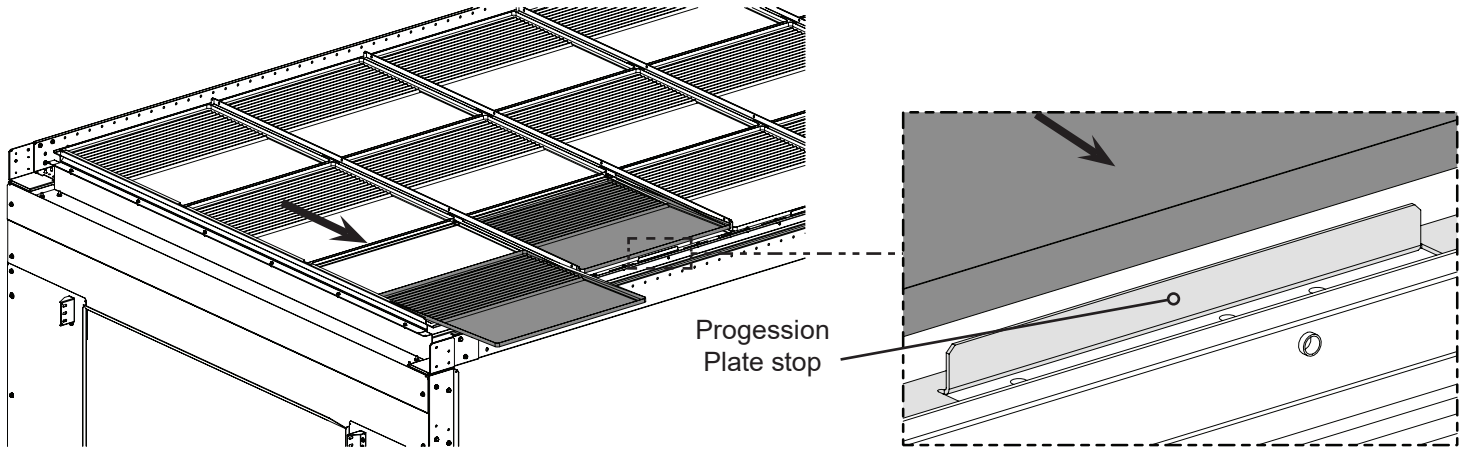
- Install Slider Plate Assembly with End of Row Cross Beams using cut Panels and cut End of Row Cross Beams.



Removal and Re-installation of Panels

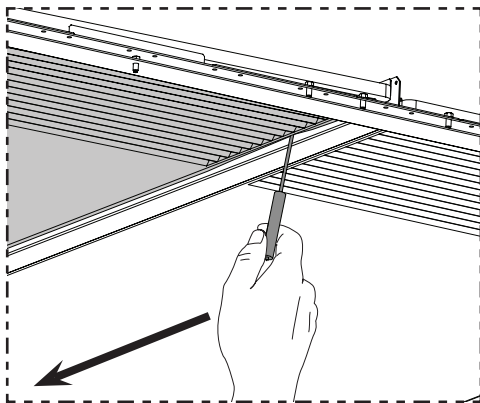
- If access permits, the outside panels can be slide in and out from the side of Pod at the top.
- Lift Panel above Progression Plate stop to start. While sliding out, continue to lift Panel above stop to prevent scratching.

Panels can be slide in and out from the side of Pod at the top.

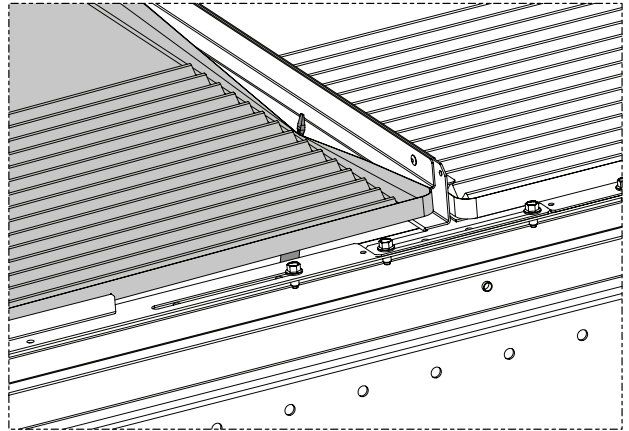


Panels can also be removed from inside of Pod.

Small screwdriver - Slide along Aisle Beam to release lip of Panel from Aisle Beam track.



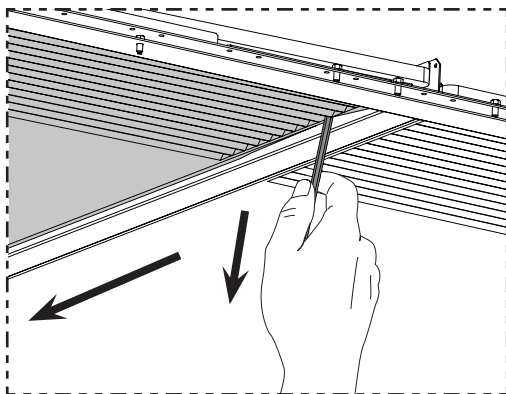
View from underside of Pod



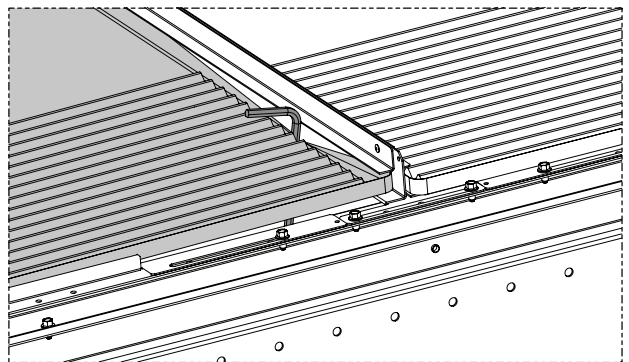
View from top of Pod

To re-install panels:

Small hex key - Slide along Aisle Beam while pulling downward to re-engage lip of Panel back into the Aisle Beam track.



View from underside of Pod



View from top of Pod

For Instructions in Local Languages
and Technical Support:

www.panduit.com/resources/install_maintain.asp

PANDUIT

www.panduit.com

E-mail:
techsupport@panduit.com

Phone:
866-405-6654