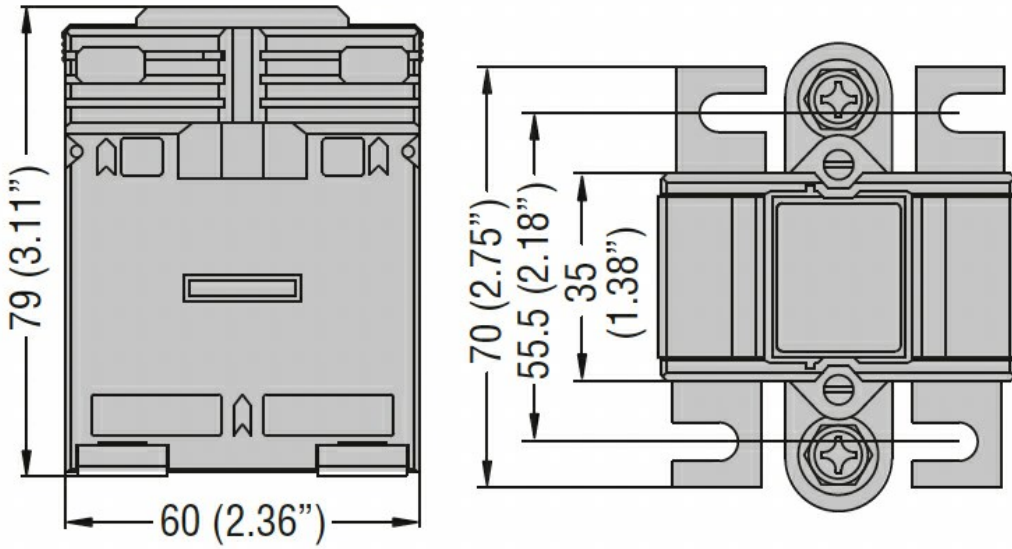




Product designation	Current transformers		
Product type designation	DM0TW0010		
Type of CT	Wound primary		
<b>Current inputs</b>			
Primary current I <sub>pn</sub> (/5)	A	10	
Operational frequency	min	Hz	50
	max	Hz	60
Secondary output current	A	5	
Overload withstand I <sub>pn</sub>	%	120	
Burden	cl. 1	VA	3.75
<b>Insulations</b>			
IEC rated short-time thermal current I <sub>th</sub>	I <sub>th</sub> for s	40...60	
IEC rated dynamic current I <sub>dyn</sub>	I <sub>th</sub> for s	2.5	
Insulation dry type	Class E		
<b>Mechanical features</b>			
Terminals type	Screw		
Fixing	DIN rail or by Screw		
Weight	g	301	
<b>Ambient conditions</b>			
Temperature	Operating temperature		
	min	°C	-25
	max	°C	+50
	Storage temperature		
	min	°C	-40
	max	°C	+80
Relative humidity	%	90	
Protection degree	IP30		
<b>Dimensions</b>			



**Certifications and compliance**

Certifications

IEC/EN/BS 61869-1

IEC/EN/BS 61869-2

Compliance

CE

EAC

UKCA

**ETIM classification**

EC000066 - Power contactor, AC switching