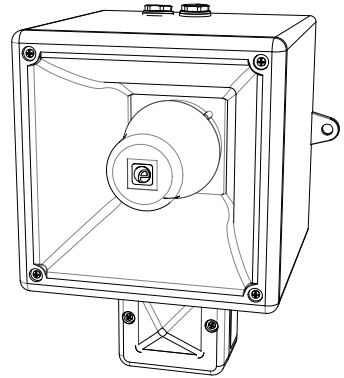


NOTICE D'INSTALLATION & D'UTILISATION

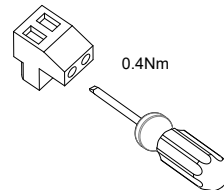
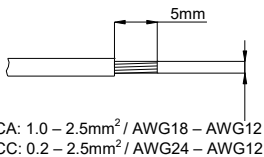
Combiné TONAFASH® LED TL121HV2

- -40°C à +66°C (104°F à 151°F)
- Type 4 / 4X / 3R / 13, IP66
- 2.7Kg (5.94lb)
- CE, Toutes les versions sont "UL Listed"



Référence	Tension Nominale	Tolérance (Tension)	Courant Nominal Feu*	Courant Nominal Sirène* P2 / P3	Pression sonore Nominale P2 / P3	Pression sonore max P2 / P3	Pression sonore Moyenne P2 / P3
TL121HV2024	12 Vcc	11.5-14Vcc	79.5mA	376mA / 440mA	116.9dB(A) / 120.2dB(A) Son No. 44 @ 1m	120.7dB(A) / 123.4dB(A) Son No. 4 @ 1m	115.3dB(A) / 118.1dB(A) Tous les sons @ 1m
	24 Vcc	16-33 Vcc	87mA	430mA / 930mA			
TL121HV2048	48 Vcc	48-54 Vcc	60mA	223mA / 453mA			
TL121HV2230	115 Vca	100-240 Vca 50/60Hz	34mA	173mA / 340mA			
	230 Vca	100-240 Vca 50/60Hz	19mA	105mA / 212mA			

*Courant nominal à la tension nominale, Son No. 1 / Flash 1Hz



Attention: Installation must be carried out by an electrician in compliance with the latest codes and regulations.

Attention: L'installation doit être effectuée par un électricien conformément aux derniers codes et réglementations.

Achtung: Die Installation muss von einem Elektriker gemäß den neuesten Vorschriften und Bestimmungen durchgeführt werden.

Attenzione: L'installazione deve essere eseguita da un elettricista in conformità con i codici e le normative più recenti.

Atención: La instalación debe ser realizada por un electricista de acuerdo con los últimos códigos y regulaciones.

Atenção: A instalação deve ser realizada por um electricista de acordo com os códigos e regulamentos mais recentes.

Внимание: установка должна выполняться электриком в соответствии с последними нормами и правилами.

Attention: Disconnect from power source before installation or service to prevent electric shock

Attention: Débranchez-le de la source d'alimentation avant l'installation ou l'entretien pour éviter tout choc électrique.

Achtung: Vor Installation oder Wartung von der Stromquelle trennen, um einen Stromschlag zu vermeiden.

Attenzione: scollegare dall'alimentazione prima dell'installazione o dell'assistenza per evitare scosse elettriche.

Atención: desconéctelo de la fuente de alimentación antes de la instalación o el servicio para evitar descargas eléctricas.

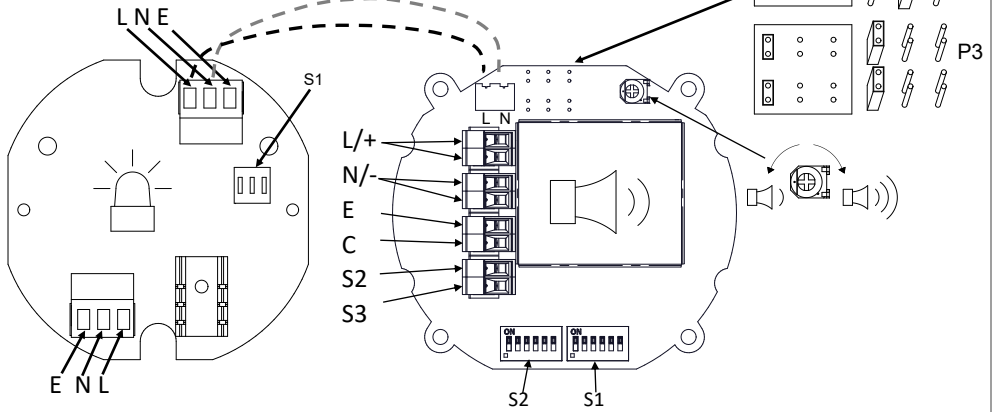
Atenção: Desconecte da fonte de alimentação antes da instalação ou serviço para evitar choque elétrico

Внимание: отключите от источника питания перед установкой или обслуживанием, чтобы предотвратить поражение электрическим током.



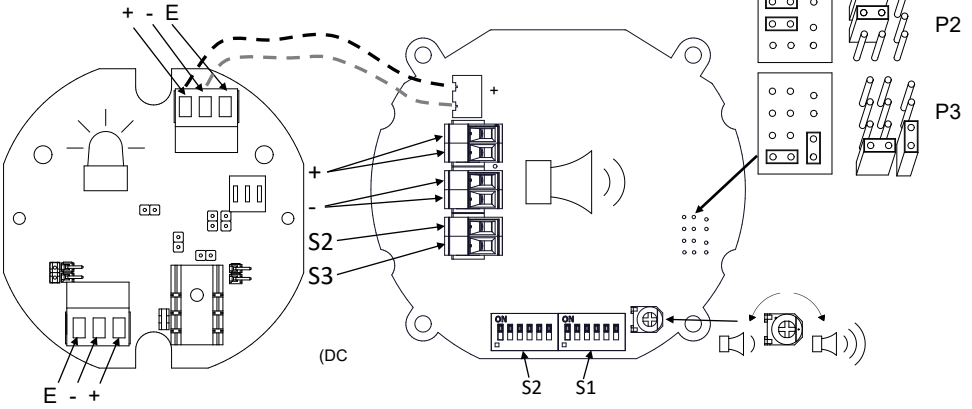
CA

Voir D221-06-305



CC

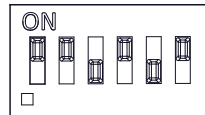
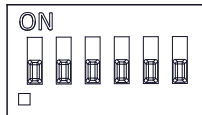
Voir D221-06-301



(CA & CC, Voir D221-95-001)

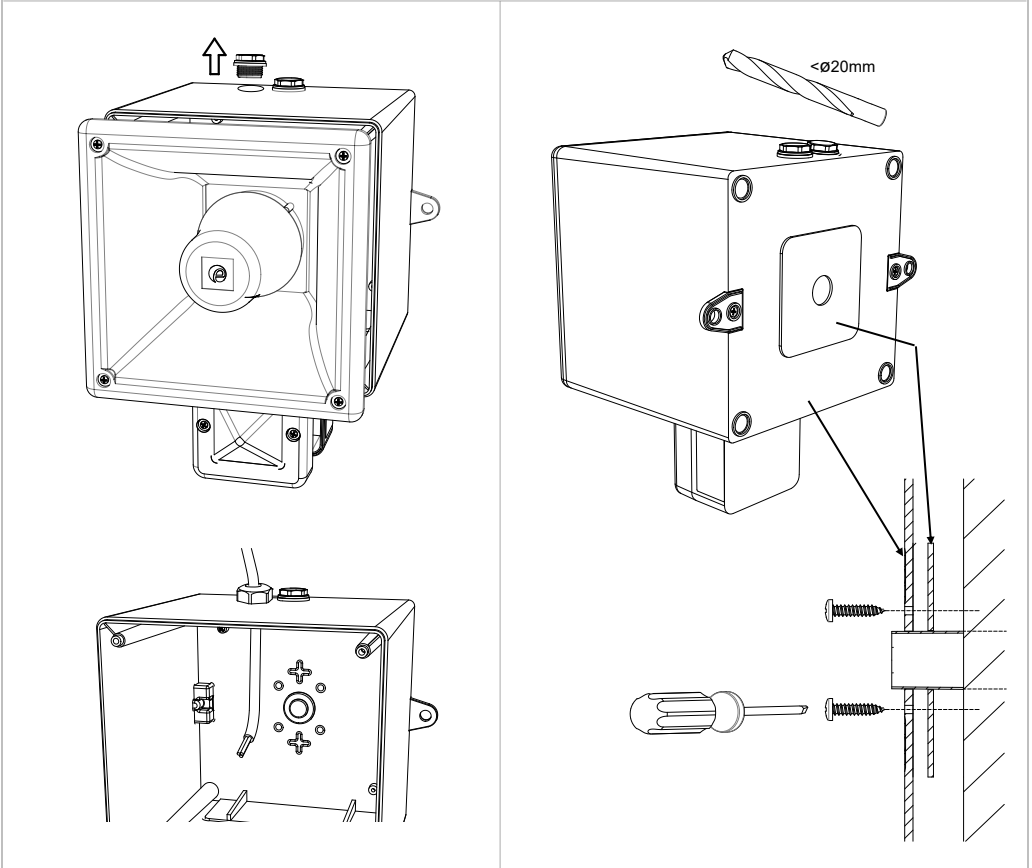
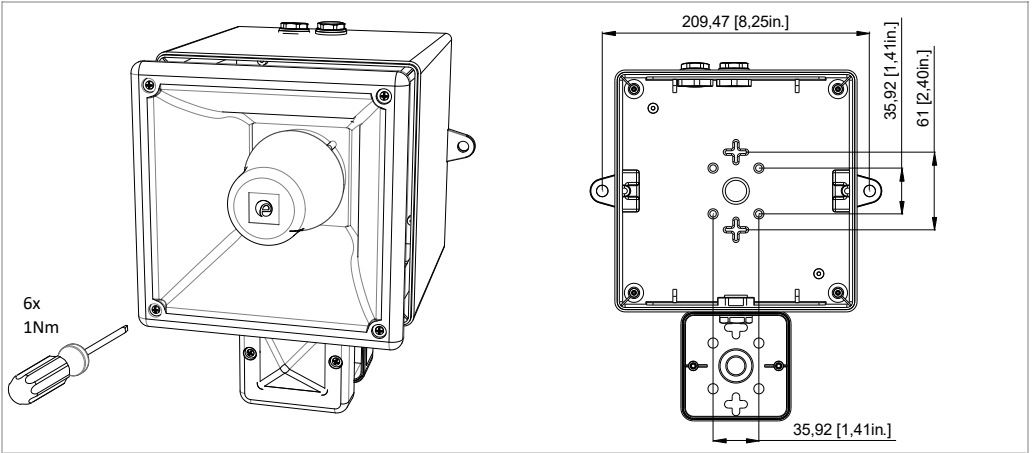
Par défaut = S2 - Son No. 1

Par défaut = S1 - Son No. 44



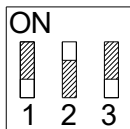
(ON = 1, OFF = 0)

NOTICE D'INSTALLATION & D'UTILISATION
Combiné TONAFASH® LED TL121HV2



S1 - Modes de fonctionnement du flash LED (CA & CC)

Le micro-interrupteur DIP permet de sélectionner le mode de fonctionnement du flash



Micro interrupteur DIP en position 1-OFF, 2-ON,3-OFF (0 1 0). Cela correspond au mode Flash 1 Hz. Voir tableau ci-contre pour les autres modes.

Micro interrupteur	Mode de fonctionnement
0 0 0	Fixe
1 0 0	Clignotant
0 1 0	Flash 1Hz*
1 1 0	Flash 1.5Hz*
0 0 1	Double Flash
1 0 1	Triple Flash
0 1 1	Flash 2Hz*
1 1 1	Flash - Temporel

- All models are approved for use as Audible Signal and Visual Appliance for use as General Signaling: UL464A & CSA C22.2 No 205-17
- Type 4 / 4X / 3R / 13, IP66
- 40°C to +66°C / -40°C to +151°F

General Signaling Canada:

AL121NHDC: -40°C to +55°C / -40°F to +131°F

AL121NHAC: -40°C to +40°C / -40°F to +104°F

- To maintain Ingress Protection, cable entries must be fitted with suitably rated cable glands or stopping plugs
- EOL Monitoring (DC Only): End of Line Devices may be fitted between the +ve & -ve terminals of the PCBA. Please ensure that the device legs meet the wire size range stated for the connection terminals and are fitted correctly in order to avoid a short. Refer to the compatible control panel specification for EOL device values and ratings



Model	Nominal Voltage	Voltage Range	Nominal Operating Current*		Max Operating RMS#	
			Beacon	Sounder P2 / P3	Beacon	Sounder P2 / P3
AL121HDC024	12V dc	11.5-14Vdc	79.5mA	376mA / 440mA	168mA	430mA / 930mA
	24V dc	16-33 Vdc (Regulated)	87mA	430mA / 930mA	183mA	
AL121HDC048	48V dc	48-54 Vdc	60mA	223mA / 453mA	115mA	
AL121HAC230	115 Vac	100-240 Vac 50/60Hz	34mA	173mA / 340mA	166mA	181mA / 383mA
	230 Vac		19mA	105mA / 212mA		

*Nominal Voltage, 1Hz Flash Pattern / Tone 12; #Worst-case input voltage and worst case flash pattern

Page left Intentionally blank

FIRE INSTRUCTION & SERVICE MANUAL

AL121H Range Alert/Alight Combined Sounder LED Beacons

UL464 / CAN/ULC-S525 & UL1638 / CAN/ULC-S526

Model: AL121HDC



Attention: Installation must be carried out by an electrician in compliance with the National Electrical Code, NFPA 70, and the National Fire Alarm Signaling Code, NFPA 72 or CSA 22.1 Canadian Electrical Code, Part I, Safety Standard for Electrical Installations, Section 32 / L'installation doit exclusivement être réalisée par du personnel qualifié, conformément au code national d'électricité américain, NFPA 70, et le code national d'alarme incendie et de signalisation NFPA 72 ou CSA 22.1 Code canadien de l'électricité, première partie, norme de sécurité relative aux installations électriques, Section 32




Attention: Disconnect from power source before installation or service to prevent electric shock / Débranchez-le de la source d'alimentation avant l'installation ou l'entretien pour éviter tout choc électrique.



Attention: Do not paint / Ne pas Peinturer

- -40°C to +66°C / -40°F to +151°F
- Units can be mounted using the 2-off ø9mm holes in the mounting lugs or through the back of the housing using the supplied gasket seal.
- AL121HDC024 is approved for use as an Audible & Visual signal appliance for fire alarm use – Private Mode. (UL464 & CAN/ULC-S525 & UL1638 & CAN/ULC-S526).
- AL121HDC024 produces a minimum sound pressure level of P2: US: 93.67dB(A); CA: 101.2dB(A) / P3: US: 94.33dB(A); CA: 102.4dB(A) at 10 feet (figures @ worst case 11.5Vdc).
- AL121HDC024 produces a minimum sound pressure level of P2: US: 97.59dB(A); CA: 105.4dB(A) / P3: US: 100.63dB(A); CA: 107.5dB(A) at 10 feet (@24Vdc)
- For Fire Alarm applications, the Sounder Volume must be at the highest setting, (see volume control section). For fire alarm use, Tone 12 as shown below must be selected:

Stage 1 Set DIP SW 1 Tone No.	Tone Description	Tone Visual	Stage 1 & 2 DIP SW 1/2 Settings 1 2 3 4 5 6	Stage 3 Set DIP SW 1 (S3)	Stage 4 Set DIP SW 1 (S2 + S3)
12	1000Hz(0.5s on, 0.5s off)x3 + 1s gap ISO 8201 Temporal Pattern	1000Hz 	1 1 0 1 0 0	1	8

- For private mode fire alarm use, the beacons must only be fitted with clear plastic lens covers and must be set to one of the certified flash patterns of 1Hz, 1.5Hz or 2Hz. Flash Pulse 196ms.
- For light output ratings see below:

On-axis light output rating per UL1638

Model	Intensity (cd) at 1Hz flash rate	Intensity (cd) at 1.5Hz flash rate	Intensity (cd) at 2Hz flash rate
AL121HDC024 (12Vdc Mode)	5.9	5.97	6.35
AL121HDC024 (24Vdc Mode)	11.65	12.32	12.38

- Connection Terminals: Pluggable
AC: 1.0 - 2.5mm² / AWG18 - AWG12
DC: 0.2 - 2.5mm² / AWG24 - AWG12
- Terminal Tightening torque 0.4Nm
- To maintain Ingress Protection, cable entries must be fitted with suitably rated cable glands or stopping plugs
- Units can be located indoor or outdoor wet use, wall or ceiling mounted and there are no limitations on orientation
- Factory finishes are not intended to be modified

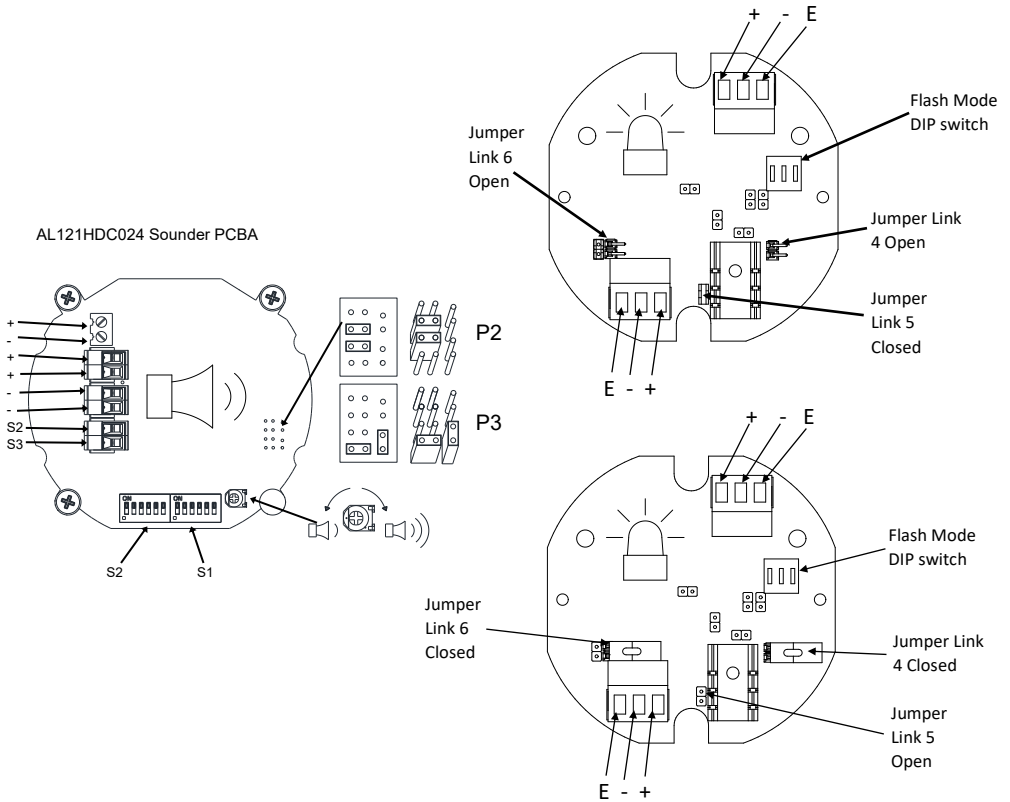
Surge current ratings for use in fire alarm systems

Model	Nominal Voltage	Voltage Range	Flash Rate	Initial Peak (mA)		Initial RMS (mA)	
				Beacon	Sounder	Beacon	Sounder
AL121HDC024	12Vdc	10 to 14Vdc	1 Hz	202	P2: 1164mA 1164mA / P3: 1829mA	172	P2: 286mA / P3: 554mA
			1.5Hz	216		172	
			2Hz	224		172	
	24Vdc	16 to 33Vdc (Regulated)	1 Hz	950		204.3	
			1.5Hz	968.5		206.7	
			2Hz	969		205.2	

AL121HDC024 Sounder Directional Characteristics for Canadian Fire CAN/ULC-S525 at 10 feet

Horizontal Axis				Vertical Axis			
Angle	OSPL	Angle	OSPL	Angle	OSPL	Angle	OSPL
Ref. 90°	107.8 dB(A)	Ref. 90°	107.8 dB(A)	Ref. 90°	107.6 dB(A)	Ref. 90°	107.6 dB(A)
143°	-3 dB(A)	35°	-3 dB(A)	144.5°	-3 dB(A)	36.5°	-3 dB(A)
152°	-6 dB(A)	25°	-6 dB(A)	151°	-6 dB(A)	27°	-6 dB(A)
180°	97.8 dB(A)	0°	95.8 dB(A)	180°	96.8 dB(A)	0°	95.9 dB(A)

AL121HDC024 Beacon PCBA (24VDC Mode – Default Setting)



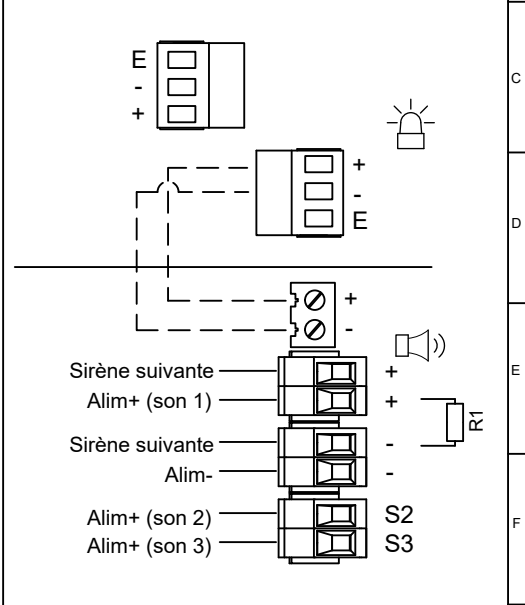
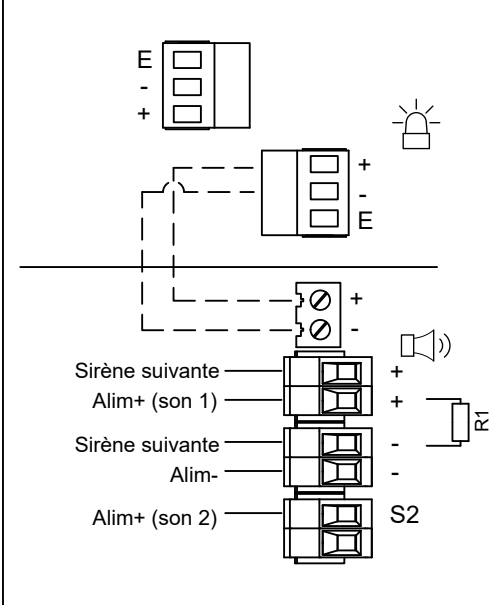
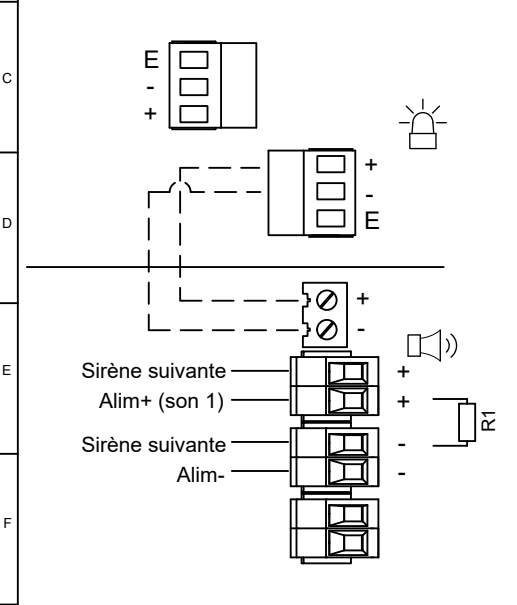
AL121HDC024 Beacon PCBA (12VDC Mode – Customer to Set)

Jumper Setting	Jumper Link 4	Jumper Link 5	Jumper Link 6
24VDC Mode (Default)	Open	Closed	Open
12VDC Mode (Customer Set)	Closed	Open	Closed

1	2	3	4	5	6	7	8	9	10
							ISSUE	MOD No.	REASON - INITIAL - DATE
<p>— — CÂBLAGE ENTRE LE FEU & LA SIRÈNE FAIT EN USINE</p>							A		INTRODUCTION RSR - 25/06/2021
<p>OPTION: RÉSISTANCE POUR LA SURVEILLANCE DE LIGNE : NON FOURNIE. VALEURS MINIMALES RECOMMANDÉES: 14V MAX = 120Ω MIN, 2W MIN OU 1KΩ MIN, 0.5W MIN 28V MAX = 470Ω MIN, 2W MIN OU 2.4KΩ MIN, 0.5W MIN</p>									

Activation simultanée de la sirène et du feu (par défaut)

Configuration pour 1 son		Config.: 1a	Configuration pour 2 sons		Config.: 1b	Configuration pour 3 et 4 sons		Config.: 1c
Surveillance de ligne		Alim- commune		Alim- commune		Alim- commune		
Pilotage via Alim+ (par défaut)		Pilotage via Alim+ (par défaut)		Pilotage via Alim+ (par défaut)		Pilotage via Alim+ (par défaut)		
Son 1 : alimenter Alim+ et Alim- (son 1)		Son 1 : alimenter Alim+ (son 1) et Alim- Son 2 : alimenter Alim+ (son 2) et Alim-		Son 1 : alimenter Alim+ (son 1) et Alim- Son 2 : alimenter Alim+ (son 2) et Alim- Son 3 : alimenter Alim+ (son 3) et Alim- Son 4 : alimenter Alim+ (son 2), Alim+ (son 3) et Alim-				



G	DRAWING TO BS8888:2000 GEOMETRIC TOLERANCES TO ISO1101:1983 LINEAR DIMENSIONAL TOLS ANGULAR DIMENSIONAL TOLS	DRAWN R.S.RAIT	DATE 25/06/2021	SURFACE FINISH	WEIGHT (Kg)	<p>THIS DRAWING AND ANY INFORMATION OR DESCRIPTIVE MATTER THEREIN IS COMMUNICATED IN CONFIDENCE AND IS THE COPYRIGHT PROPERTY OF EUROPEAN SAFETY SYSTEMS LTD. NEITHER THE WHOLE OR ANY EXTRACT MAY BE DISCLOSED, LOANED, COPIED OR USED FOR MANUFACTURING OR TENDERING PURPOSES WITHOUT THEIR WRITTEN CONSENT.</p> <p align="center">© EUROPEAN SAFETY SYSTEMS LTD. AS PER LATEST DATE OF ISSUE SHOWN ABOVE</p>	<p>EUROPEAN SAFETY SYSTEMS LTD IMPRESS HOUSE MANSELL ROAD LONDON W3 7QH WWW.E2S.COM</p>	ALL DIMENSIONS IN MM IF IN DOUBT, ASK - DO NOT SCALE	A3
	STANDARDS ALERTALARM RANGE	CHECKED B.ISARD	DATE 25/06/2021	MATERIAL	ALTERNATIVE MATERIAL			TITLE AL112NH & AL121H DC COMBINED SOUNDER & LED WIRING DIAGRAMS	
		APPROVED R.N.POTTS	DATE 25/06/2021					SCALE NTS	SHEET 1 OF 6

ISSUE	MOD No.	REASON - INITIAL - DATE
A		INTRODUCTION RSR - 25/06/2021

— — CÂBLAGE ENTRE LE FEU & LA SIRÈNE
FAIT EN USINE

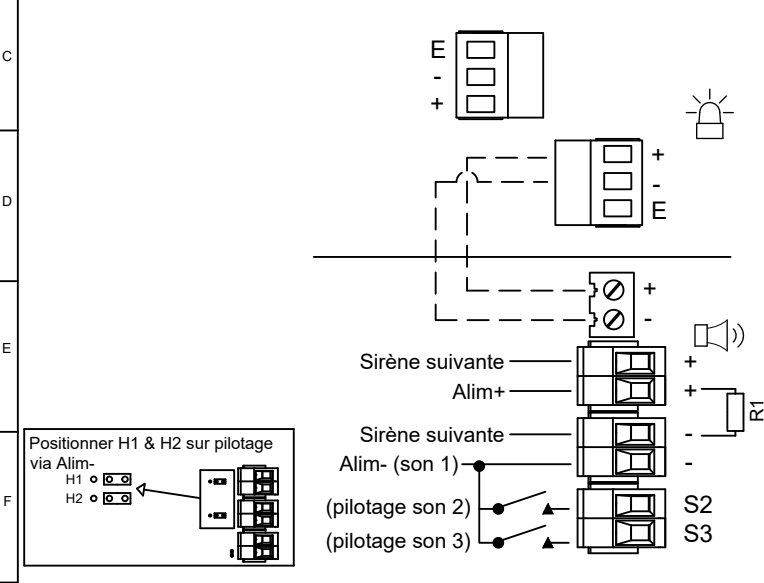
OPTION: RÉSISTANCE POUR LA SURVEILLANCE DE LIGNE :
NON FOURNIE. VALEURS MINIMALES RECOMMANDÉES:
14V MAX = 120Ω MIN, 2W MIN OU 1KΩ MIN, 0.5W MIN
28V MAX = 470Ω MIN, 2W MIN OU 2.4KΩ MIN, 0.5W MIN

CONTACTS POUR LA SÉLECTION
DES SONS NON INCLUS

Activation simultanée de la sirène et du feu (par défaut)

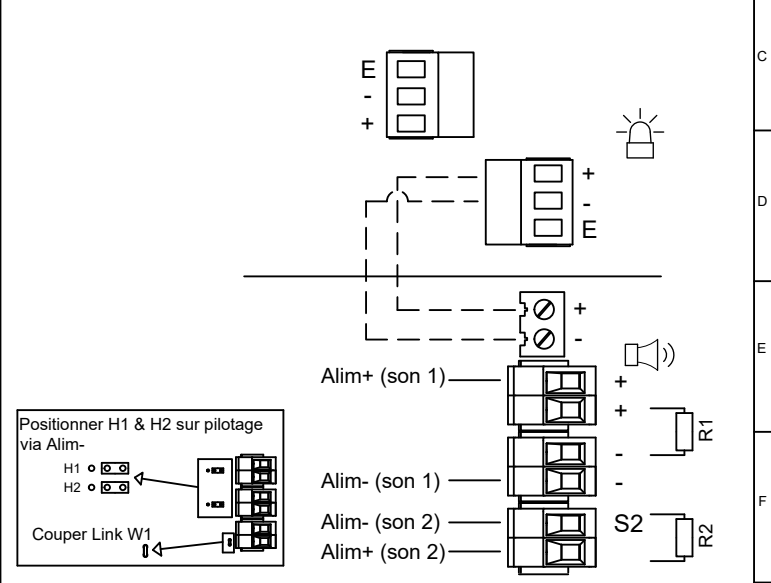
3 et 4 sons. Activation sans tension des sons 2, 3 et 4.
Alim+ commune
Positionner H1 & H2 sur pilotage via Alim- (voir ci-dessous)

Son 1 : alimenter Alim+ et Alim- (son1)
Son 2 : alimenter Alim+ et Alim- (son1) et connecter S2 à Alim- (son 1)
Son 3 : alimenter Alim+ et Alim- (son1) et connecter S3 à Alim- (son 1)
Son 4 : alimenter Alim+ et Alim- (son1) et connecter S2 et S3 à Alim- (son 1)



Configuration pour 2 sons
Alimentation indépendante des sons
Surveillance de ligne par inversion de polarité
Positionner H1 & H2 sur pilotage via Alim- (voir ci-dessous)

Son 1 : alimenter Alim+ (son1) et Alim- (son 1)
Son 2 : alimenter Alim+ (son1) et Alim- (son 1) et connecter Alim- (son 2) à Alim- (son 1)



DRAWING TO BS8888:2000 GEOMETRIC TOLERANCES TO ISO1101:1983 LINEAR DIMENSIONAL TOLS ANGULAR DIMENSIONAL TOLS	DRAWN	R.S.RAIT	DATE	25/06/2021
	CHECKED	B.ISARD	DATE	25/06/2021
	APPROVED	R.N.POTTS	DATE	25/06/2021
STANDARDS	ALERTALARM RANGE			

SURFACE FINISH	WEIGHT (Kg)
MATERIAL	
ALTERNATIVE MATERIAL	

THIS DRAWING AND ANY INFORMATION OR DESCRIPTIVE
MATTER THEREIN IS COMMUNICATED IN CONFIDENCE AND
IS THE COPYRIGHT PROPERTY OF EUROPEAN SAFETY
SYSTEMS LTD. NEITHER THE WHOLE OR ANY EXTRACT MAY
BE DISCLOSED, LOANED, COPIED OR USED FOR
MANUFACTURING OR TENDERING PURPOSES WITHOUT THEIR
WRITTEN CONSENT.

© EUROPEAN SAFETY SYSTEMS LTD.
AS PER LATEST DATE OF ISSUE SHOWN ABOVE

e2s warning signals
EUROPEAN SAFETY SYSTEMS LTD
IMPRESS HOUSE
MANSELL ROAD
LONDON W3 7QH
WWW.E2S.COM

ALL DIMENSIONS IN MM IF IN DOUBT, ASK - DO NOT SCALE		A3
TITLE AL112NH & AL121H DC COMBINED SOUNDER & LED WIRING DIAGRAMS		
SCALE	SHEET	DRAWING NUMBER
NTS	2 of 6	D221-06-252

ISSUE	MOD No.	REASON - INITIAL - DATE
A		INTRODUCTION RSR - 25/06/2021

— — CÂBLAGE ENTRE LE FEU & LA SIRÈNE
FAIT EN USINE

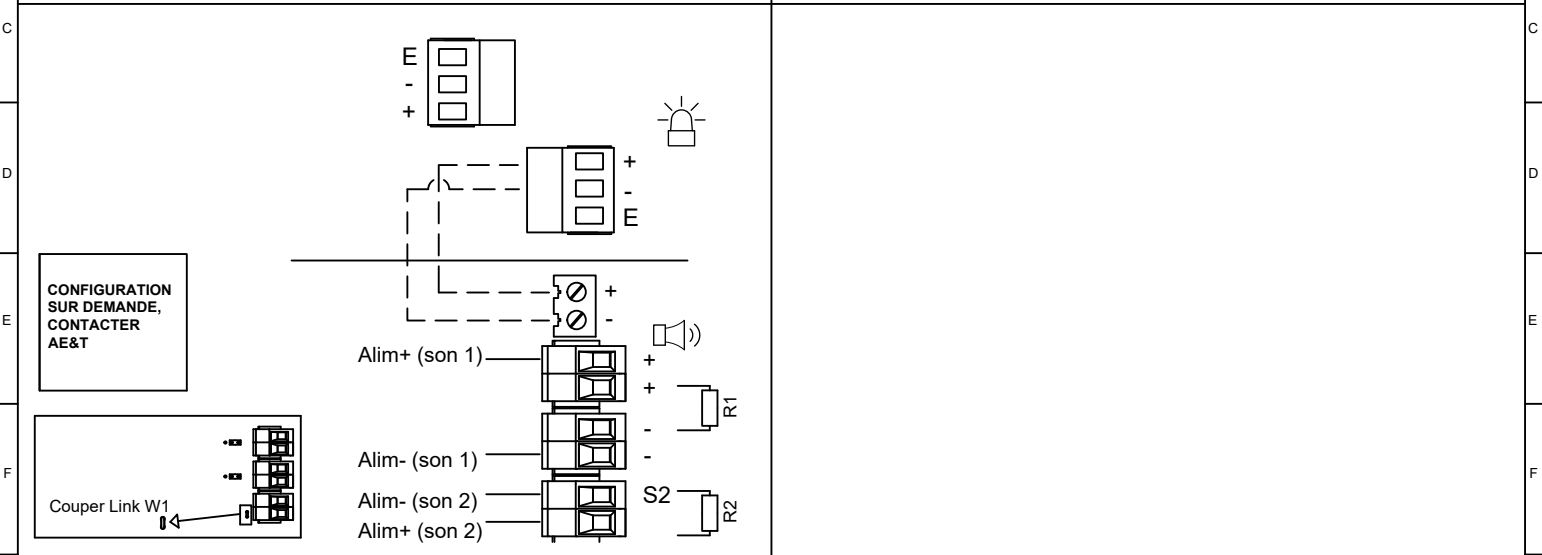
OPTION: RÉSISTANCE POUR LA SURVEILLANCE DE LIGNE :
NON FOURNIE. VALEURS MINIMALES RECOMMANDÉES:
14V MAX = 120Ω MIN, 2W MIN OU 1KΩ MIN, 0.5W MIN
28V MAX = 470Ω MIN, 2W MIN OU 2.4KΩ MIN, 0.5W MIN

CONTACTS POUR LA SÉLECTION
DES SONS NON INCLUS

Activation simultanée de la sirène et du feu (par défaut)

Configuration pour 2 sons Config.: 4
Alimentation indépendante des sons
Surveillance de ligne (utiliser des relais / modules adaptés)
Ne pas utiliser pour la surveillance par inversion de polarité
Son 1 : alimenter Alim+ (son 1) et Alim- (son 1)
Son 2 : alimenter Alim+ (son 2) et Alim- (son 2)

CONFIGURATION SUR DEMANDE, CONTACTER AE&T

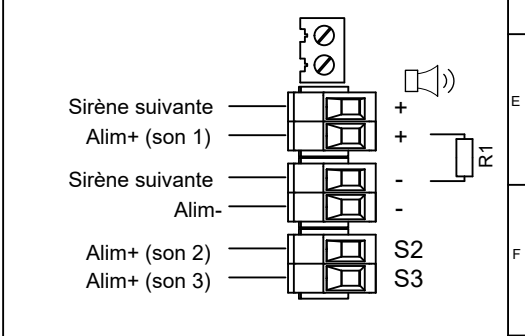
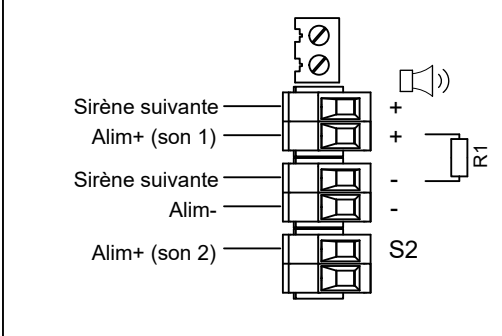
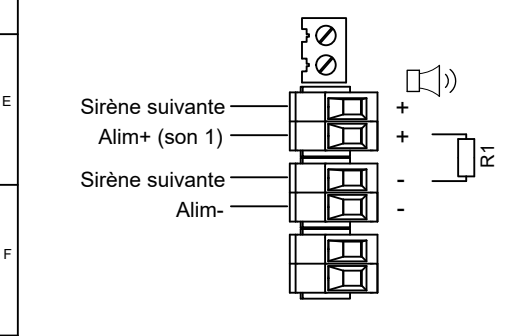
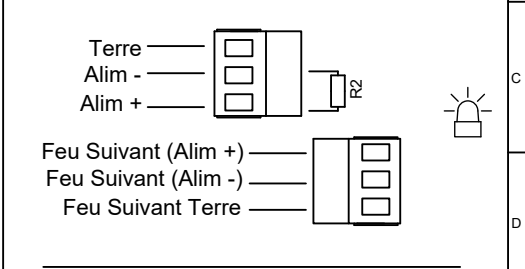
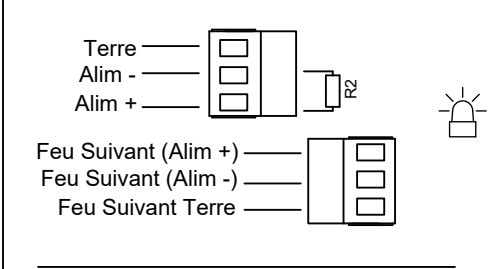
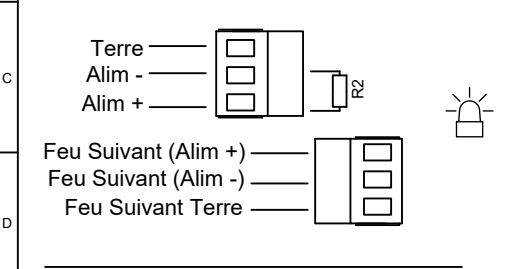


G	DRAWING TO BS8888:2000 GEOMETRIC TOLERANCES TO ISO1101:1983 LINEAR DIMENSIONAL TOLS ANGULAR DIMENSIONAL TOLS	DRAWN R.S.RAIT	DATE 25/06/2021	SURFACE FINISH	WEIGHT (Kg)	THIS DRAWING AND ANY INFORMATION OR DESCRIPTIVE MATTER THEREIN IS COMMUNICATED IN CONFIDENCE AND IS THE COPYRIGHT PROPERTY OF EUROPEAN SAFETY SYSTEMS LTD. NEITHER THE WHOLE OR ANY EXTRACT MAY BE DISCLOSED, LOANED, COPIED OR USED FOR MANUFACTURING OR TENDERING PURPOSES WITHOUT THEIR WRITTEN CONSENT. © EUROPEAN SAFETY SYSTEMS LTD. AS PER LATEST DATE OF ISSUE SHOWN ABOVE.	EUROPEAN SAFETY SYSTEMS LTD IMPRESS HOUSE MANSELL ROAD FULFORD LONDON W13 7QH WWW.E2S.COM	ALL DIMENSIONS IN MM IF IN DOUBT, ASK - DO NOT SCALE		A3	
	STANDARDS ALERTALARM RANGE	CHECKED B.ISARD	DATE 25/06/2021	MATERIAL	ALTERNATIVE MATERIAL			TITLE AL112NH & AL121H DC COMBINED SOUNDER & LED WIRING DIAGRAMS	SCALE NTS	SHEET 3 of 6	DRAWING NUMBER D221-06-252
		APPROVED R.N.POTTS	DATE 25/06/2021								

1	2	3	4	5	6	7	8	9	10
<p>— — CÂBLAGE ENTRE LE FEU & LA SIRÈNE FAIT EN USINE</p>							<p>ISSUE MOD No. REASON - INITIAL - DATE</p> <p>A INTRODUCTION RSR - 25/06/2021</p>		
<p>CONTACTS POUR LA SÉLECTION DES SONS NON INCLUS</p>									

Activation indépendante de la sirène et du feu (retirer le câblage entre le feu et la sirène)

Configuration pour 1 son		Config.: 5a	Configuration pour 2 sons		Config.: 5b	Configuration pour 3 et 4 sons		Config.: 5c
Surveillance de ligne		Alim- commune		Alim- commune		Alim- commune		
Pilotage via Alim+ (par défaut)		Pilotage via Alim+ (par défaut)		Pilotage via Alim+ (par défaut)		Pilotage via Alim+ (par défaut)		
Son 1 : alimenter Alim+ et Alim- (son1)		Son 1 : alimenter Alim+ (son 1) et Alim- Son 2 : alimenter Alim+ (son 2) et Alim-		Son 1 : alimenter Alim+ (son 1) et Alim- Son 2 : alimenter Alim+ (son 2) et Alim- Son 3 : alimenter Alim+ (son 3) et Alim- Son 4 : alimenter Alim+ (son 2), Alim+ (son 3) et Alim-				



DRAWING TO BS8888:2000 GEOMETRIC TOLERANCES TO ISO1101:1983 LINEAR DIMENSIONAL TOLS ANGULAR DIMENSIONAL TOLS	DRAWN	DATE	SURFACE FINISH	WEIGHT (Kg)	<p>THIS DRAWING AND ANY INFORMATION OR DESCRIPTIVE MATTER THEREIN IS COMMUNICATED IN CONFIDENCE AND IS THE COPYRIGHT PROPERTY OF EUROPEAN SAFETY SYSTEMS LTD. NEITHER THE WHOLE OR ANY EXTRACT MAY BE DISCLOSED, LOANED, COPIED OR USED FOR MANUFACTURING OR TENDERING PURPOSES WITHOUT THEIR WRITER CONSENT.</p> <p>EUROPEAN SAFETY SYSTEMS LTD. AS PER LATEST DATE OF ISSUE SHOWN ABOVE</p>	<p>EUROPEAN SAFETY SYSTEMS LTD IMPRESS HOUSE MANSELL ROAD LONDON W3 7QH WWW.E2S.COM</p>	ALL DIMENSIONS IN MM IF IN DOUBT, ASK - DO NOT SCALE			A3
	CHECKED	DATE					TITLE AL112NH & AL121H DC COMBINED SOUNDER & LED WIRING DIAGRAMS			
	STANDARDS	B.ISARD	25/06/2021	ALTERNATIVE MATERIAL			SCALE	SHEET	DRAWING NUMBER	
ALERTALARM RANGE	APPROVED	DATE			NTS	4 OF 6	D221-06-252			
	R.N.POTTS	25/06/2021								

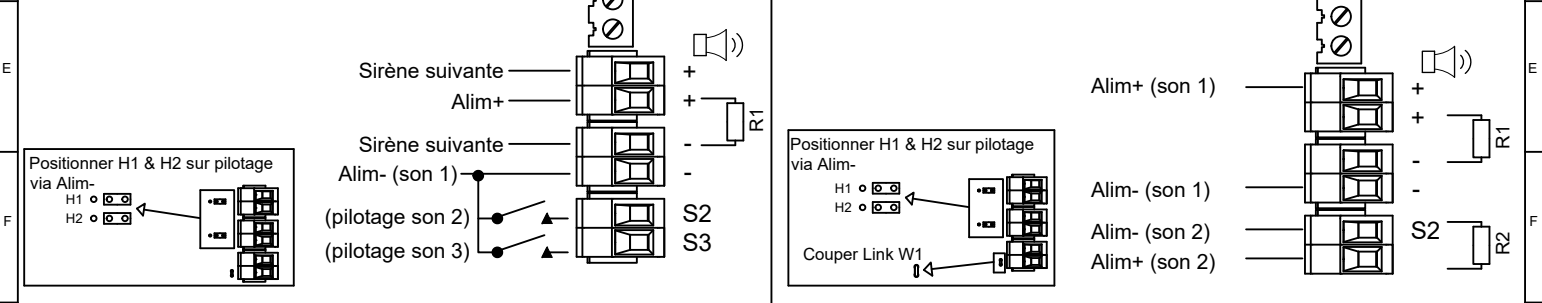
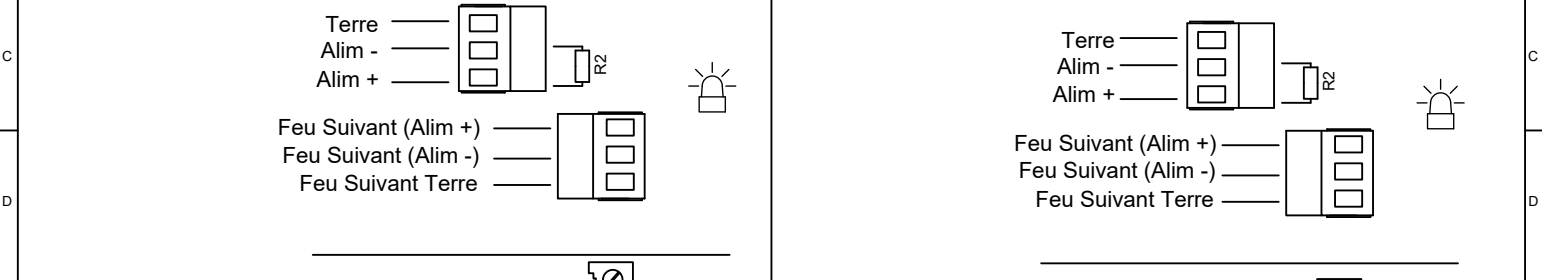
OPTION: RÉSISTANCE POUR LA SURVEILLANCE DE LIGNE :
NON FOURNIE. VALEURS MINIMALES RECOMMANDÉES:
14V MAX = 120Ω MIN, 2W MIN OU 1KΩ MIN, 0.5W MIN
28V MAX = 470Ω MIN, 2W MIN OU 2.4KΩ MIN, 0.5W MIN

CONTACTS POUR LA SÉLECTION
DES SONS NON INCLUS

Activation indépendante de la sirène et du feu (retirer le câblage entre le feu et la sirène)

3 et 4 sons. Activation sans tension des sons 2, 3 et 4. Alim+ commune Positionner H1 & H2 sur pilotage via Alim- (voir ci-dessous)	Config.: 6	Configuration pour 2 sons Alimentation indépendante des sons Surveillance de ligne par inversion de polarité Positionner H1 & H2 sur pilotage via Alim- (voir ci-dessous) Son 1 : alimenter Alim+ (son1) et Alim- (son 1) Son 2 : alimenter Alim+ (son1) et Alim- (son 1) et connecter Alim- (son 2) à Alim- (son 1)	Config.: 7
---	------------	---	------------

Son 1 : alimenter Alim+ et Alim- (son1) Son 2 : alimenter Alim+ et Alim- (son1) et connecter S2 à Alim- (son 1) Son 3 : alimenter Alim+ et Alim- (son1) et connecter S3 à Alim- (son 1) Son 4 : alimenter Alim+ et Alim- (son1) et connecter S2 et S3 à Alim- (son 1)			
--	--	--	--



DRAWING TO BS8888:2000 GEOMETRIC TOLERANCES TO ISO1101:1983 LINEAR DIMENSIONAL TOLS ANGULAR DIMENSIONAL TOLS	DRAWN R.S.RAIT	DATE 25/06/2021	SURFACE FINISH	WEIGHT (Kg)	THIS DRAWING AND ANY INFORMATION OR DESCRIPTIVE MATTER THEREIN IS COMMUNICATED IN CONFIDENCE AND IS THE COPYRIGHT PROPERTY OF EUROPEAN SAFETY SYSTEMS LTD. NEITHER THE WHOLE OR ANY EXTRACT MAY BE DISCLOSED, LOANED, COPIED OR USED FOR MANUFACTURING OR TENDERING PURPOSES WITHOUT THEIR WRITTEN CONSENT.	 warning signals	ALL DIMENSIONS IN MM IF IN DOUBT, ASK - DO NOT SCALE	 A3	
	STANDARDS	CHECKED B.ISARD	DATE 25/06/2021	MATERIAL			EUROPEAN SAFETY SYSTEMS LTD IMPRESS HOUSE MANSELL ROAD LONDON W3 7QH WWW.E2S.COM		TITLE AL112NH & AL121H DC COMBINED SOUNDER & LED WIRING DIAGRAMS
	ALERTALARM RANGE	APPROVED R.N.POTTS	DATE 25/06/2021	ALTERNATIVE MATERIAL			SCALE NTS		SHEET 5 OF 6

1	2	3	4	5	6	7	8	9	10
							ISSUE A	MOD No.	REASON - INITIAL - DATE INTRODUCTION RSR - 25/06/2021

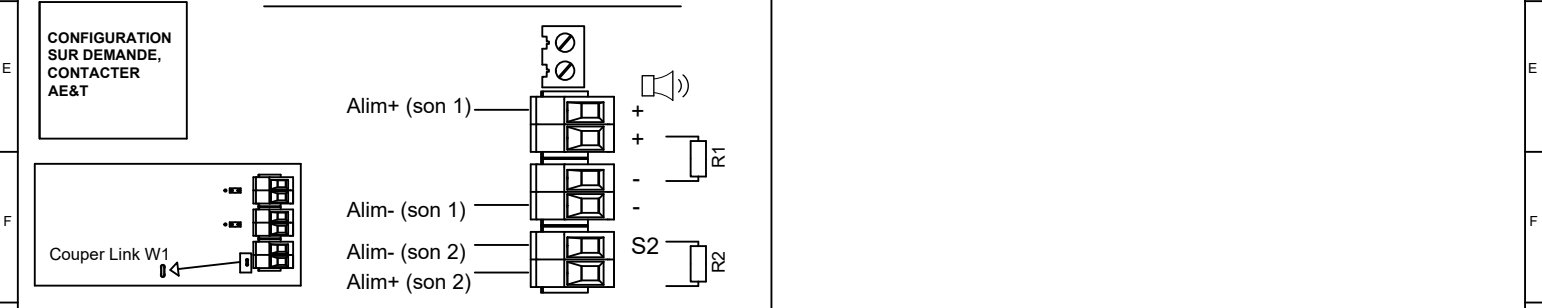
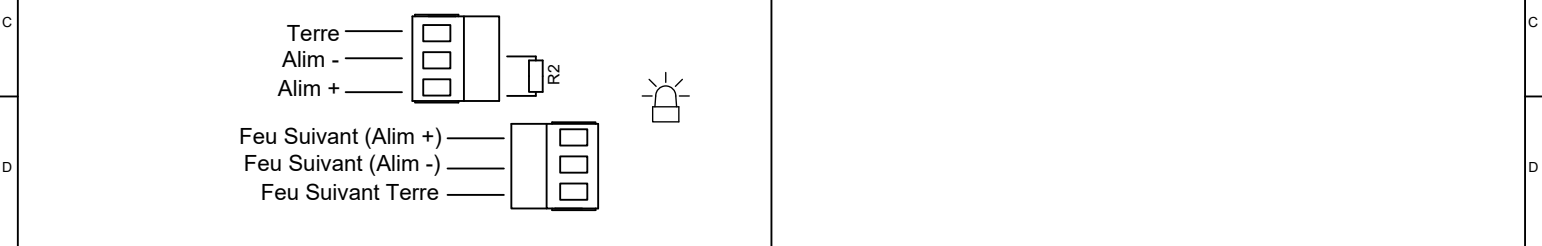
OPTION: RÉSISTANCE POUR LA SURVEILLANCE DE LIGNE :
NON FOURNIE. VALEURS MINIMALES RECOMMANDÉES:
14V MAX = 120Ω MIN, 2W MIN OU 1KΩ MIN, 0.5W MIN
28V MAX = 470Ω MIN, 2W MIN OU 2.4KΩ MIN, 0.5W MIN

CONTACTS POUR LA SÉLECTION
DES SONS NON INCLUS

Activation indépendante de la sirène et du feu (retirer le câblage entre le feu et la sirène)

Configuration pour 2 sons	Config.: 8
---------------------------	------------

Alimentation indépendante des sons
Surveillance de ligne (utiliser des relais / modules adaptés)
Ne pas utiliser pour la surveillance par inversion de polarité
Son 1 : alimenter Alim+ (son 1) et Alim- (son 1)
Son 2 : alimenter Alim+ (son 2) et Alim- (son 2)



G	DRAWING TO BS8888:2000 GEOMETRIC TOLERANCES TO ISO1101:1983 LINEAR DIMENSIONAL TOLS ANGULAR DIMENSIONAL TOLS	DRAWN R.S.RAIT	DATE 25/06/2021	SURFACE FINISH WEIGHT (Kg)	THIS DRAWING AND ANY INFORMATION OR DESCRIPTIVE MATTER THEREIN IS COMMUNICATED IN CONFIDENCE AND IS THE COPYRIGHT PROPERTY OF EUROPEAN SAFETY SYSTEMS LTD. NEITHER THE WHOLE OR ANY EXTRACT MAY BE DISCLOSED, LOANED, COPIED OR USED FOR MANUFACTURING OR TENDERING PURPOSES WITHOUT THEIR WRITTEN CONSENT. EUROPEAN SAFETY SYSTEMS LTD. IMPRESS HOUSE MANSELL ROAD FULFORD LONDON W3 7QH WWW.E2S.COM		ALL DIMENSIONS IN MM IF IN DOUBT, ASK - DO NOT SCALE			A3
	STANDARDS ALERTALARM RANGE	CHECKED B.ISARD	DATE 25/06/2021	MATERIAL			EUROPEAN SAFETY SYSTEMS LTD IMPRESS HOUSE MANSELL ROAD FULFORD LONDON W3 7QH WWW.E2S.COM	TITLE AL112NH & AL121H DC COMBINED SOUNDER & LED WIRING DIAGRAMS		
		APPROVED R.N.POTTS	DATE 25/06/2021	ALTERNATIVE MATERIAL			SCALE NTS	SHEET 6 of 6	DRAWING NUMBER D221-06-252	

1

2

3

4

5

6

7

8

9

10

ISSUE	MOD No	REASON - INITIAL - DATE
A		INTRODUCTION RSR - 25/06/2021

--- CÂBLAGE ENTRE LE FEU & LA SIRÈNE
FAIT EN USINE

CONTACTS POUR LA SÉLECTION
DES SONS NON INCLUS

Activation simultanée de la sirène et du feu (par défaut)

Configuration pour 1 son

Config.: 1a

Configuration pour 2 et 3 sons

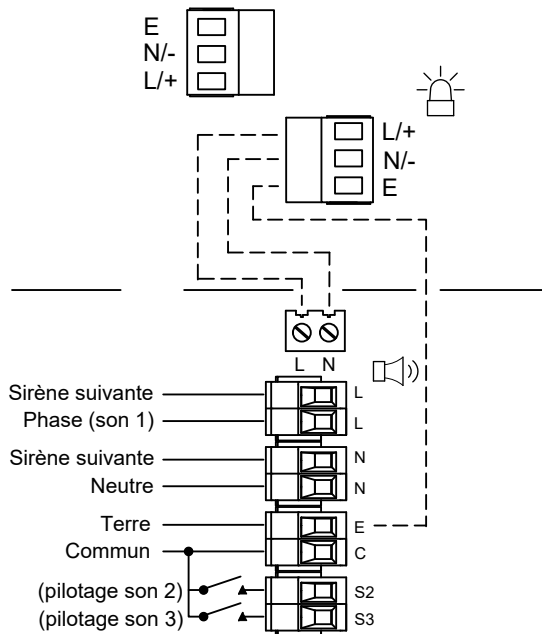
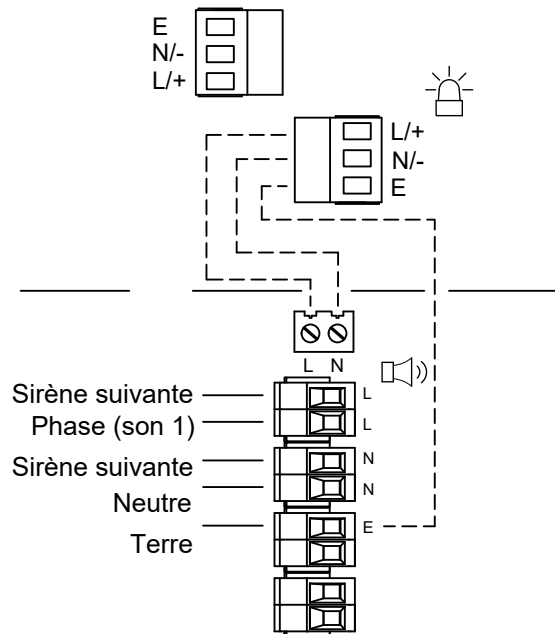
Config.: 2b

Son 1 : alimenter Phase (son 1) et Neutre

Son 1 : alimenter Phase (son 1) et Neutre

Son 2 : alimenter Phase (son 1) et Neutre et connecter Commun à S2

Son 3 : alimenter Phase (son 1) et Neutre et connecter Commun à S3



DRAWING TO BS8888:2000
GEOMETRIC TOLERANCES TO ISO1101:1983
LINEAR DIMENSIONAL TOLS
ANGULAR DIMENSIONAL TOLS

DRAWN R.S.RAIT
DATE 25/06/2021

SURFACE FINISH WEIGHT (Kg)

MATERIAL

THIS DRAWING AND ANY INFORMATION OR DESCRIPTIVE
MATTER THEREIN IS COMMUNICATED IN CONFIDENCE AND
IS THE COPYRIGHT PROPERTY OF EUROPEAN SAFETY
SYSTEMS LTD. NEITHER THE WHOLE OR ANY EXTRACT MAY
BE DISCLOSED, LOANED, COPIED OR USED FOR
MANUFACTURING OR TENDERING PURPOSES WITHOUT THEIR
WRITTEN CONSENT.



EUROPEAN SAFETY SYSTEMS LTD.
AS PER LATEST DATE OF ISSUE SHOWN ABOVE



EUROPEAN SAFETY SYSTEMS LTD
IMPRESS HOUSE
MANSELL ROAD
LONDON W3 7QH
WWW.E2S.COM

ALL DIMENSIONS IN MM
IF IN DOUBT, ASK -
DO NOT SCALE



A3

STANDARDS

CHECKED B.ISARD
DATE 25/06/2021

ALTERNATIVE MATERIAL

TITLE A112NH & AL121H AC COMBINED
SOUNDER & LED WIRING DIAGRAMS

ALERTALARM RANGE


APPROVED R.N.POTTS
DATE 25/06/2021

SCALE NTS
SHEET 1 OF 2
DRAWING NUMBER D221-06-256

1 2 3 4 5 6 7 8 9 10

ISSUE	MOD No	REASON - INITIAL - DATE
A		INTRODUCTION RSR - 25/06/2021

— — CÂBLAGE ENTRE LE FEU & LA SIRÈNE
FAIT EN USINE

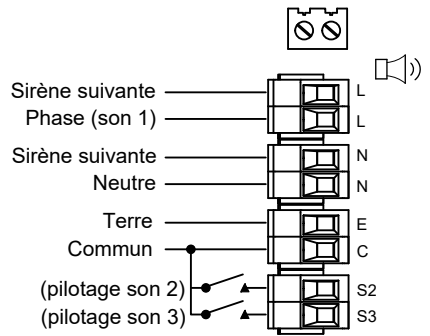
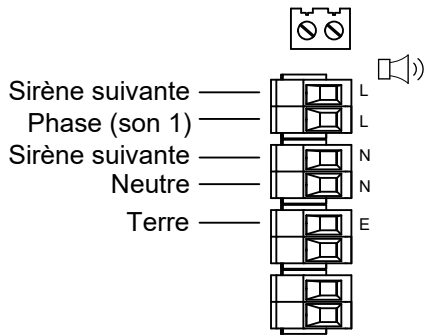
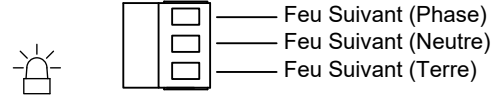
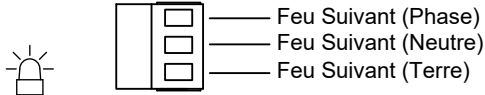
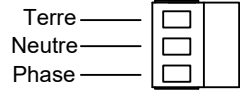
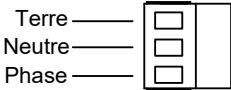
 CONTACTS POUR LA SÉLECTION
DES SONS NON INCLUS

Activation indépendante de la sirène et du feu (retirer le câblage entre le feu et la sirène)

Configuration pour 1 son Config.: 2a Configuration pour 2 et 3 sons Config.: 2b

Son 1 : alimenter Phase (son 1) et Neutre

Son 1 : alimenter Phase (son 1) et Neutre
Son 2 : alimenter Phase (son 1) et Neutre et connecter Commun à S2
Son 3 : alimenter Phase (son 1) et Neutre et connecter Commun à S3



DRAWING TO BS8888:2000 GEOMETRIC TOLERANCES TO ISO1101:1983 LINEAR DIMENSIONAL TOLS ANGULAR DIMENSIONAL TOLS	DRAWN	R.S.RAIT	DATE	25/06/2021
	CHECKED	B.ISARD	DATE	25/06/2021
	APPROVED	R.N.POTTS	DATE	25/06/2021

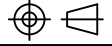
SURFACE FINISH	WEIGHT (Kg)
MATERIAL	
ALTERNATIVE MATERIAL	

THIS DRAWING AND ANY INFORMATION OR DESCRIPTIVE MATTER THEREIN IS COMMUNICATED IN CONFIDENCE AND IS THE COPYRIGHT PROPERTY OF EUROPEAN SAFETY SYSTEMS LTD. NEITHER THE WHOLE OR ANY EXTRACT MAY BE DISCLOSED, LOANED, COPIED OR USED FOR MANUFACTURING OR TENDERING PURPOSES WITHOUT THEIR WRITTEN CONSENT.

© EUROPEAN SAFETY SYSTEMS LTD.
AS PER LATEST DATE OF ISSUE SHOWN ABOVE



EUROPEAN SAFETY SYSTEMS LTD
IMPRESS HOUSE
MANSELL ROAD
LONDON W3 7QH
WWW.E2S.COM

ALL DIMENSIONS IN MM IF IN DOUBT, ASK - DO NOT SCALE			A3
TITLE A112NH & AL121H AC COMBINED SOUNDER & LED WIRING DIAGRAMS			
SCALE	SHEET	DRAWING NUMBER	
NTS	2 OF 2	D221-06-256	

Stage 1 Set DIP SW 1 Tone No.	Tone Description	Tone Visual	Stage 1 & 2 DIP SW 1/2 Settings 1 2 3 4 5 6	Stage 3 Set DIP SW 1 (S3)	Stage 4 Set DIP SW 1 (S2 + S3)
1	1000Hz PFEER Toxic Gas		0 0 0 0 0 0	2	44
2	1200/500Hz @ 1Hz DIN /PFEER P.T.A.P.		1 0 0 0 0 0	3	44
3	1000Hz @ 0.5Hz(1s on, 1s off) PFEER Gen. Alarm		0 1 0 0 0 0	2	44
4	1.4KHz-1.6KHz 1s, 1.6KHz-1.4KHz 0.5s NF C 48-265		1 1 0 0 0 0	24	1
5	544Hz(100mS)/440Hz (400mS) NF S 32-001		0 0 1 0 0 0	19	1
6	1500/500Hz - (0.5s on, 0.5s off) x3 + 1s gap AS4428		1 0 1 0 0 0	44	1
7	500-1500Hz Sweeping 2 sec on 1 sec off AS4428		0 1 1 0 0 0	44	1
8	500/1200Hz @ 0.26Hz (3.3son, 0.5s off) Netherlands - NEN 2575		1 1 1 0 0 0	24	35
9	1000Hz (1s on, 1s off)x7 + (7s on, 1s off) IMO Code 1a		0 0 0 1 0 0	34	1
10	1000Hz (1s on, 1s off)x7 + (7s on, 1s off) IMO Code 1a		1 0 0 1 0 0	34	1
11	420Hz(0.5s on, 0.5s off)x3 + 1s gap ISO 8201 Temporal Pattern		0 1 0 1 0 0	1	8
12	1000Hz(0.5s on, 0.5s off)x3 + 1s gap ISO 8201 Temporal Pattern		1 1 0 1 0 0	1	8
13	422/775Hz - (0.85 on, 0.5 off) x3 + 1s gap NFPA - Temporal Coded		0 0 1 1 0 0	1	8
14	1000/2000Hz @ 1Hz Singapore		1 0 1 1 0 0	3	35
15	300Hz Continuous (f=300)		0 1 1 1 0 0	24	1
16	440Hz Continuous (f=440)		1 1 1 1 0 0	24	1
17	470Hz Continuous (f=470)		0 0 0 0 1 0	24	8
18	500Hz Continuous IMO code 2 (Low) (f=500)		1 0 0 0 1 0	24	8
19	554Hz Continuous (f=554)		0 1 0 0 1 0	24	8
20	660Hz Continuous (f=660)		1 1 0 0 1 0	24	35
21	800Hz IMO code 2 (High) (f=800)		0 1 0 1 0 0	24	35
22	1200Hz Continuous (f=1200)		1 0 1 0 1 0	24	35
23	2000Hz Continuous (f=2000)		0 1 1 0 1 0	3	35
24	2400Hz Continuous (f=2400)		1 1 1 0 1 0	20	35
25	440Hz @0.83Hz (50 cycles/minute) Intermittent (f=440, a=0.6, b=0.6)		0 0 0 1 1 0	44	8
26	470Hz @0.9Hz - 1.1s Intermittent (f=470, a=0.55, b=0.55)		1 0 0 1 1 0	44	8
27	470Hz @5Hz - (5 cycles/second) Intermittent (f=470, a=0.1, b=0.1)		0 1 0 1 1 0	44	8
28	544Hz @ 1.14Hz - 0.875s Intermittent (f=470, a=0.43, b=0.44)		1 1 0 1 1 0	24	8
29	655Hz @ 0.875Hz Intermittent (f=655, a=0.57, b=0.57)		0 0 1 1 1 0	24	8
30	660Hz @0.28Hz - 1.8sec on, 1.8sec off Intermittent (f=660, a=1.8, b=1.8)		1 0 1 1 1 0	24	8
31	660Hz @3.34Hz - 150mS on, 150mS off Intermittent (f=660, a=0.15, b=0.15)		0 1 1 1 1 0	24	8
32	745Hz @ 1Hz Intermittent (f=745, a=0.5, b=0.5)		1 1 1 1 1 0	24	8
33	800Hz - 0.25sec on, 1 sec off Intermittent (f=800, a=0.25, b=1)		0 0 0 0 0 1	24	8
34	800Hz @ 2Hz IMO code 3.a (High) Intermittent (f=800, a=0.25, b=0.25)		1 0 0 0 0 1	24	19
35	1000Hz @ 1Hz Intermittent (f=1000, a=0.5, b=0.5)		0 1 0 0 0 1	24	19
36	2400Hz @ 1Hz Intermittent (f=2400, a=0.5, b=0.5)		1 1 0 0 0 1	24	19
37	2900Hz @ 5Hz Intermittent (f=2900, a=0.1, b=0.1)		0 0 1 0 0 1	24	19
38	363/518Hz @ 1Hz Alternating (f=363, f1=518, a=0.1)		1 0 1 0 0 1	8	19
39	450/500Hz @ 2Hz Alternating (f=450, f1=500, a=0.25)		0 1 1 0 0 1	8	19
40	554/440Hz @ 1Hz Alternating (f=440, f1=554, a=0.5)		1 1 1 0 0 1	24	19
41	554/440Hz @ 0.625Hz Alternating (f=440, f1=554, a=0.8)		0 0 0 1 0 1	8	19
42	561/760Hz @0.83Hz (50 cycles/minute) Alternating (f=561, f1=760, a=0.6)		1 0 0 1 0 1	8	19
43	780/600Hz @ 0.96Hz Alternating (f=600, f1=780, a=0.52)		0 1 0 1 0 1	8	19
44	800/1000Hz @ 2Hz Alternating (f=800, f1=1000, a=0.25)		1 1 0 1 0 1	24	19
45	970/800Hz @ 2Hz Alternating (f=800, f1=970, a=0.25)		0 0 1 1 0 1	8	19
46	800/1000Hz @ 0.875Hz Alternating (f=800, f1=1000, a=0.57)		1 0 1 1 0 1	24	19
47	2400/2900Hz @ 2Hz Alternating (f=2400, f1=2900, a=0.25)		0 1 1 1 0 1	24	19
48	500/1200Hz @ 0.3Hz Sweeping (f=500, f1=1200, a=3.34)		1 1 1 1 0 1	24	12
49	560/1055Hz @ 0.18Hz Sweeping (f=560, f1=1055, a=5.47)		0 0 0 0 1 1	24	12
50	560/1055Hz @ 3.3Hz Sweeping (f=560, f1=1055, a=0.3)		1 0 0 0 1 1	24	12
51	600/1250Hz @ 0.125Hz Sweeping (f=600, f1=1250, a=8)		0 1 0 0 1 1	24	12
52	660/1200Hz @ 1Hz Sweeping (f=660, f1=1200, a=1)		1 1 0 0 1 1	24	12
53	800/1000Hz @ 1Hz Sweeping (f=800, f1=1000, a=1)		0 1 0 0 1 1	24	12
54	800/1000Hz @ 7Hz Sweeping (f=800, f1=1000, a=0.14)		1 0 1 0 1 1	24	12
55	800/1000Hz @ 50Hz Sweeping (f=800, f1=1000, a=0.02)		0 1 0 1 0 1	24	12
56	2400/2900Hz @ 7Hz Sweeping (f=2400, f1=2900, a=0.14)		1 1 1 0 1 1	24	12
57	2400/2900Hz @ 1Hz Sweeping (f=2400, f1=2900, a=1)		0 0 0 1 1 1	24	12
58	2400/2900Hz @ 50Hz Sweeping (f=2400, f1=2900, a=0.02)		1 0 0 1 1 1	24	12
59	2500/3000Hz @ 2Hz Sweeping (f=2500, f1=3000, a=0.5)		0 1 0 1 1 1	24	12
60	2500/3000Hz @ 7.7Hz Sweeping (f=2500, f1=3000, a=0.13)		1 1 0 1 1 1	24	12
61	800Hz Motor Siren (f=800, a=1.6)		0 0 1 1 1 1	24	12
62	1200Hz Motor Siren (f=1200, a=2)		1 0 1 1 1 1	24	12
63	2400Hz Motor Siren (f=2400, a=1.7)		0 1 1 1 1 1	24	12
64	Simulated Bell		1 1 1 1 1 1	21	12