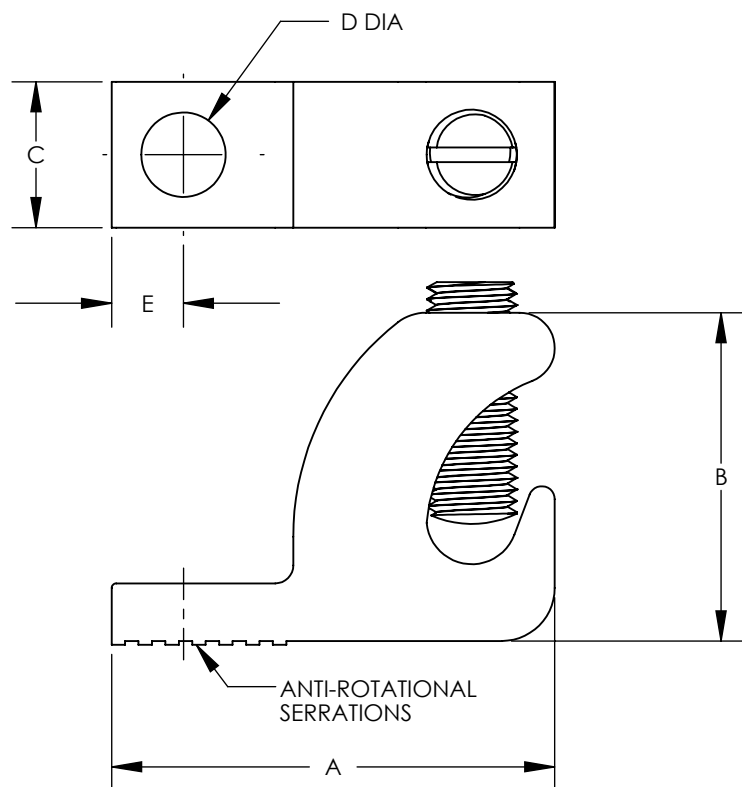


THIS COPY IS PROVIDED ON A RESTRICTED BASIS AND IS NOT TO BE USED IN ANY WAY DETRIMENTAL TO THE INTERESTS OF PANDUIT CORP.



NOTES:

1. DIMENSIONS ARE IN INCHES. DIMENSIONS IN BRACKETS ARE MILLIMETERS.
2. UL LISTED & UL LISTED FOR USE IN CANADA FOR POWER AND GROUNDING APPLICATIONS.
3. DUAL RATED CU9AL FOR ALUMINUM OR COPPER CONDUCTORS (LIAC4-22-C, LIAS1/0-14-L, & LIAS250-56-Q ONLY).
4. ANTI-OXIDANT JOINT COMPOUND RECOMMENDED.
5. PACKAGE QTY:

Q = 25
L = 50
C = 100



PANDUIT PART NUMBER	MATERIAL	WIRE RANGE	SCREW TYPE	DIMENSIONS - IN [mm] ±.02 [0.5]					TIGHTENING TORQUE	PKG. QTY.		
				A	B	C	STUD HOLE D DIA	E				
LICC4-22-C	COPPER	14-4 CU AWG	1/4-28 SLOTTED STAINLESS STEEL	1.06 [27.0]	.75 [19.0]	.39 [9.9]	#12 .22 [5.6]	.19 [4.7]	#14-#10 = 20 IN-LB #8 = 25 IN-LB #6-#4 = 35 IN-LB	100	600V RATING 90°C	YES DIRECT BURIAL RATED
LICC4-22TP-C	COPPER, TIN PLATED	14-4 CU AWG	1/4-28 SLOTTED STAINLESS STEEL	1.06 [27.0]	.75 [19.0]	.39 [9.9]	#12 .22 [5.6]	.19 [4.7]		100	600V RATING 90°C	YES DIRECT BURIAL RATED
LIAC4-22-C	ALUMINUM, TIN PLATED	14-4 CU/AL AWG	1/4-28 SLOTTED STEEL, ZINC PLATED	1.06 [26.9]	.78 [19.8]	.39 [9.9]	#12 .22 [5.6]	.19 [4.7]		100	600V RATING AL9CU	YES NOT DIRECT BURIAL RATED
LIAS1/0-14-L	ALUMINUM, TIN PLATED	14-1/0 CU/AL AWG	3/8-24 SLOTTED STEEL, ZINC PLATED	1.50 [38.1]	1.10 [27.9]	.61 [15.5]	1/4" .27 [6.9]	.30 [7.6]	#14-#10 = 35 IN-LB #8 = 40 IN-LB #6-#4 = 45 IN-LB #3-#1/0 = 50 IN-LB	50	600V RATING AL9CU	YES NOT DIRECT BURIAL RATED
LIAS250-56-Q	ALUMINUM, TIN PLATED	6-250 kcmil CU/AL AWG	1/2-18 W/ 1/4" HEX KEY STEEL, ZINC PLATED	2.20 [55.9]	1.70 [43.2]	.80 [20.3]	5/16" .33 [8.4]	.40 [10.2]	200 IN-LB	25	600V RATING AL9CU	YES NOT DIRECT BURIAL RATED

REV	DATE	BY	CHK	APR	DESCRIPTION	ECN
07	1/23	JHNU	JHNU	MRWA	REVISED DIMENSION A FOR LICC4-22-C, LICCI4-22TP-C: 1.06 WAS 1.16 REVISED DIMENSION B FOR LICC4-22-C, LICCI4-22TP-C: .75 WAS .87	128474
06	10/20	JHNU	RGB	RGB	REVISED SCREW TYPE FOR LIAC4-22-C: STEEL, ZINC PLATED WAS STAINLESS STEEL	10J018AY-JC
05	9/14	JHNU	JHNU	RGB	ADDED LISTING INFORMATION TO TABLE	10J018AY-JC
04	6/14	JHNU	JHNU	RGB	REMOVED UL PENDING NOTE RELATING TL LIAS250-56 REVISED TITLE BLOCK	10J018AY-JC

TITLE							COPPER & ALUMINUM LAY-IN LUG CONNECTORS		
CUSTOMER DRAWING									
ITEM REVISION NAME							10J018AY/07		
DATASET FILE NAME							10J018AY-JC r07.SLDDRW		
UNLESS OTHERWISE SPECIFIED, DIMENSIONAL TOLERANCES ARE: IN [mm]									
.XXX ±									
.XX ± .02 [.5]							SEE NOTES		
THIRD ANGLE PROJECTION							DRAWING NUMBER 10J018AY-JC		
DRAWN BY JHNU							DATE 2/11		
CHK RGB							SCALE N/A		
SHEET 1 OF 1							SIZE B		