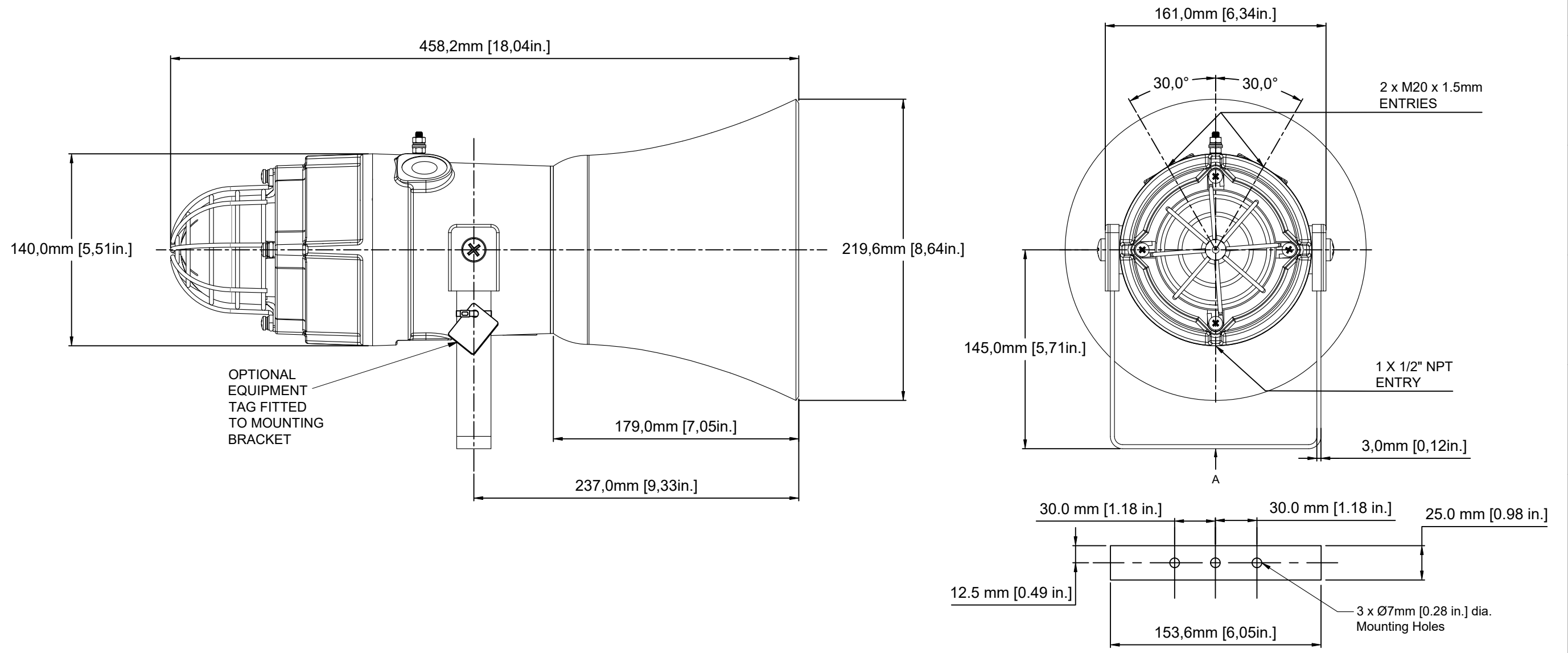


ISSUE	MOD No.	INITIAL/DATE
A		TAKEN FROM SK0362. OPTIONAL EQUIPMENT TAG SHOWN. RSR 22-04-2020
B		ENTRIES SHOWN. DRAWING NO. CORRECTED RSR 14-01-2022



E2S PART NO.	DESCRIPTION	DATA REFERENCE
D1xC2X05F	D1xC2X05 COMBINED 5J BEACON AND S2 SOUNDER (Ex d VERSION)	1.23.070
D1xC2X10F	D1xC2X10 COMBINED 10J BEACON AND S2 SOUNDER (Ex d VERSION)	1.23.080

DRAWING TO BS8888:2000 GEOMETRIC TOLERANCES TO ISO1101:1983 LINEAR DIMENSIONAL TOLS ANGULAR DIMENSIONAL TOLS	DRAWN	DATE	SURFACE FINISH	WEIGHT (Kg)
	R. S. RAIT	22-04-2020		
	CHECKED	DATE	MATERIAL	
	B. ISARD	22-04-2020		
STANDARDS	APPROVED	DATE	ALTERNATIVE MATERIAL	
D1x	R. N. POTTS	22-04-2020		

THIS DRAWING AND ANY INFORMATION OR DESCRIPTIVE MATTER THEREIN IS COMMUNICATED IN CONFIDENCE AND IS THE COPYRIGHT PROPERTY OF EUROPEAN SAFETY SYSTEMS LTD. NEITHER THE WHOLE OR ANY EXTRACT MAY BE DISCLOSED, LOANED, COPIED OR USED FOR MANUFACTURING OR TENDERING PURPOSES WITHOUT THEIR WRITTEN CONSENT.

EUROPEAN SAFETY SYSTEMS LTD.  
AS PER LATEST DATE OF ISSUE SHOWN ABOVE

**e2s**  
warning signals  
EUROPEAN SAFETY SYSTEMS LTD  
IMPRESS HOUSE  
MANSELL ROAD  
ACTON  
LONDON W3 7QH  
WWW.E2S.COM

ALL DIMENSIONS IN MM  
IF IN DOUBT, ASK -  
DO NOT SCALE

**A2**

TITLE **D1xC2 Ex d RANGE -  
SOUNDER OUTLINE**

SCALE 1:2 SHEET 1 OF 1 DRAWING NUMBER **D190-05-341**