

Part number

CHI 16 CP



Bulkhead mounting housing, C-TYPE series, with 4 pegs, size "77.27", with plastic cover

Product description		Material properties	
Product type	Bulkhead mounting housing	Other materials	Gasket: NBR
Series	C-TYPE	Colour	RAL 7040 grey
Closing type	With 4 pegs	RoHs conformity	Compliant
Size	Size 77.27	China RoHs - EFUP	E
Cable entry	Without cable entry	REACH SVHC substances	No
Specification	With plastic cover	Approvals / Standards	
Technical data		Certifications	DNV, BV
IP degree of protection	IP65	UL	ECBT2
Further technical details		cUL	ECBT8
Weight	130,00 g	General ordering information	
Operating temperature range (min, max)	-40°C...+125°C	EAN13 code	8015747017770
		eCl@ss 8.1	27440202
		ETIM 7.0	EC000437
		Packaging Information	
		Packaging length	330,00 mm
		Packaging height	170,00 mm
		Packaging width	230,00 mm
		Packaging weight	2,71 kg
		Packaging volume	12,90 dm ³
		Packaging description	Carton box
		Packaging quantity	20 Pcs
		Packaging EAN code	8015747017787
		Sub-packaging weight	0,68 kg
		Sub-packaging description	Plastic packaging
		Sub-packaging quantity	5 Pcs
		Sub-packaging EAN barcode	8015747017794

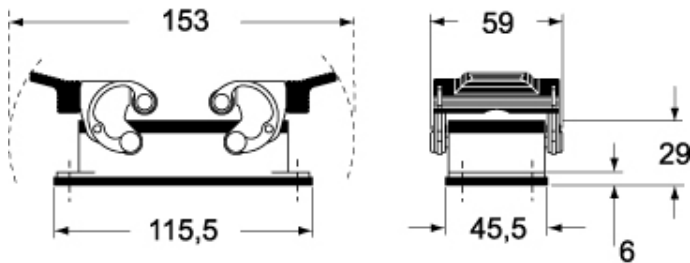
Part number

CHI 16 CP

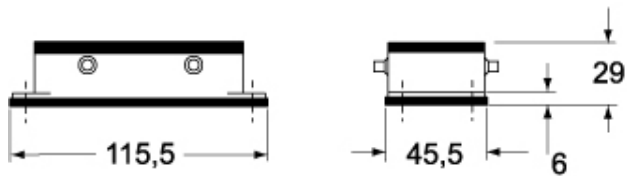


Catalogue drawings

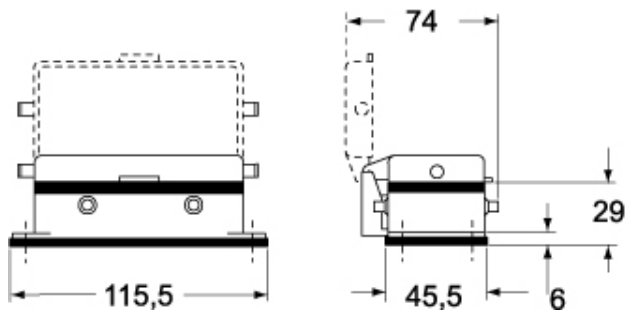
CHI



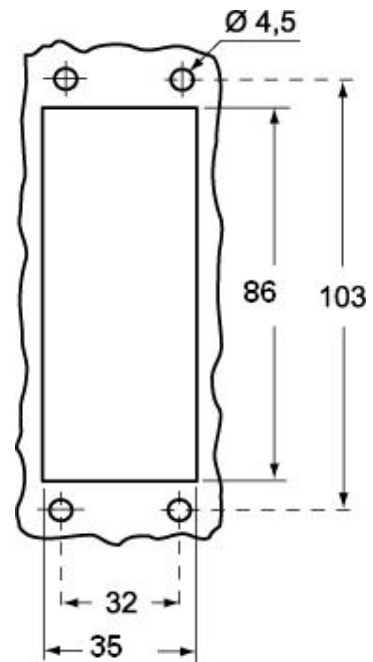
CHI C



CHI CS/CP



Catalogue drawings



Notes

Dimensions shown in mm are not binding and may be changed without notice.