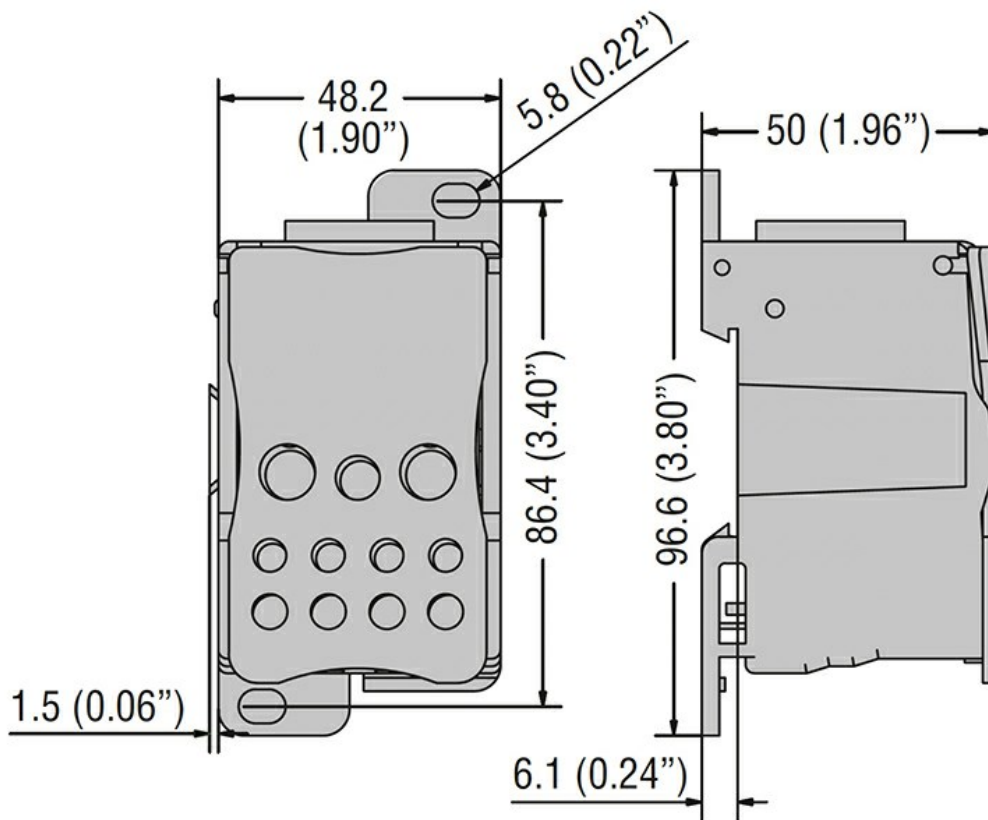




Product designation	Power distribution block	
Electrical features		
Number of poles	1	
Rated insulation voltage Ui	V	1000
IEC Conventional free air thermal current Ith	A	335
Rated peak withstand current Ipk	kA	51
Rated short time current Icw 60s	A	24.5
Connections		
Terminal hole diameter_Option 1	mm	1x19.8mm
Conductor section connectable_Option 1	mm2	95...185
	AWG	3/0...400 Kcmil
Terminal hole diameter_Option 2	mm	2x9.5mm
Conductor section connectable_Option 2	mm2	6...35
	AWG	14...1
Terminal hole diameter_Option 3	mm	5x7.5mm
Conductor section connectable_Option 3	mm2	2.5...16
	AWG	14...4
Terminal hole diameter_Option 4	mm	4x6mm
Conductor section connectable_Option 4	mm2	2.5...10
	AWG	14...6
Mechanical features		
Operating position	normal allowable	Vertical plane Any
Fixing		Screw / DIN rail 35mm
Metric Allen Key	mm	3-4-5-10
Weight	g	405
Resistance & Protection		
Terminals IP degree	IP20 front	
Dimensions		



Certifications and compliance

Certifications

IEC/EN/BS 60947-7-1

Compliance

cURus

ETIM classification

EC000066 - Power contactor, AC switching