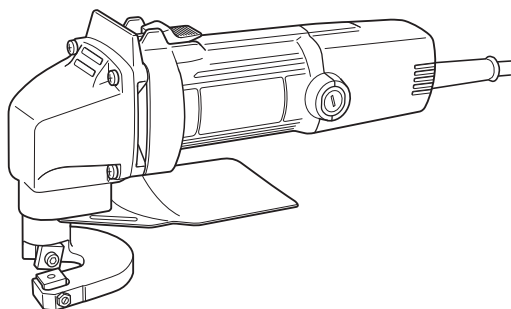


HIKOKI

**Hand Shear
Schere
Cisaille
Cesoia
Platenschaar
Cizalla
Tesoura
Ψαλίδι λαμαρινας**

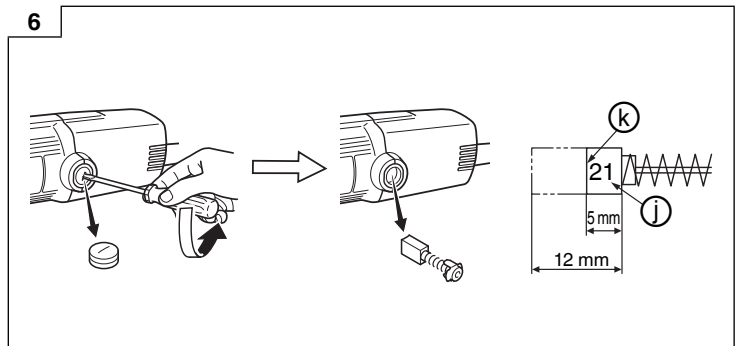
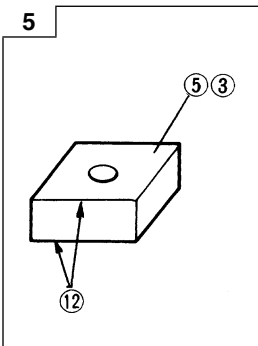
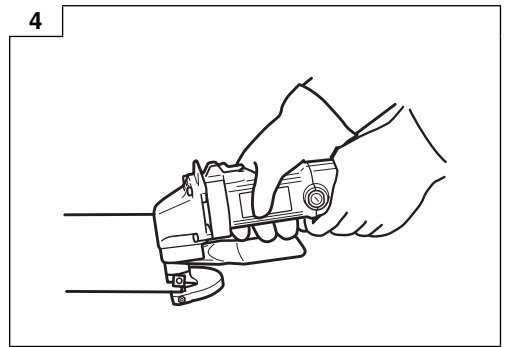
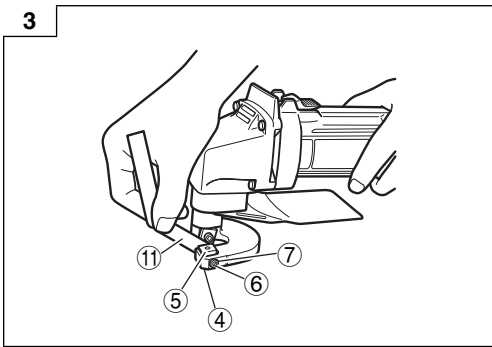
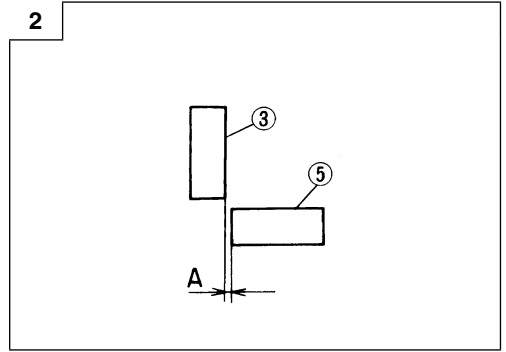
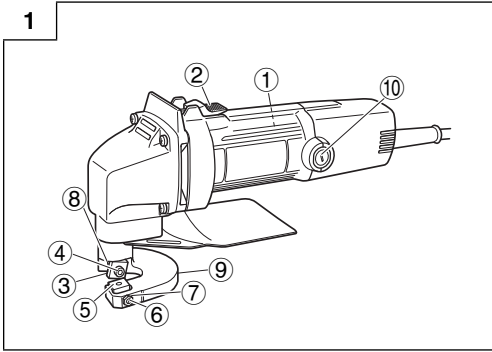
CE 16SA



Read through carefully and understand these instructions before use.
Diese Anleitung vor Benutzung des Werkzeugs sorgfältig durchlesen und verstehen.
Lire soigneusement et bien assimiler ces instructions avant usage.
Prima dell'uso leggere attentamente e comprendere queste istruzioni.
Deze gebruiksaanwijzing s.v.p. voor gebruik zorgvuldig doorlezen.
Leer cuidadosamente y comprender estas instrucciones antes del uso.
Antes de usar, leia com cuidado para assimilar estas instruções.
Διαβάστε προσεκτικά και κατανοήστε αυτές τις οδηγίες πριν τη χρήση.





**Handling instructions
Bedienungsanleitung
Mode d'emploi
Istruzioni per l'uso
Gebruiksaanwijzing
Instrucciones de manejo
Instruções de uso
Οδηγίες χειρισμού**



	English	Deutsch	Français	Italiano
①	Name Plate	Bezeichnungsschild	Plaque signalétique	Piastrina del nome
②	Switich	Schalter	Interrupteur	Interruttore
③	Moving Blade	Bewegliche Klinge	Lame mobile	Lama mobile
④	Hexagon Socket Hd. Bolt	Sechskantkopfschraube	Boulon hexagonal à tête de six pans	Bullone a testa esagonale
⑤	Stationary Blade	Feste Klinge	Lame fixe	Lama ferma
⑥	Slotted Set Screw M4x14	Schaftschraube M4x14	Vis sans fin M4x14	Vite senza fine M4x14
⑦	Lock Nut M4	Gegenmutter M4	Ecrou de blocage M4	Dado di bloccaggio M4
⑧	Piston	Kolben	Piston	Pistone
⑨	Blade Holder	Hobeisenhalter	Support de lame	Porta-lama
⑩	Brush Cap	Bürstenkappe	Capuchon de la brosse	Cappuccio della spazzola
⑪	Thickness Gauge	Dickenlehre	Calibre d'épaisseur	Calibro di spessore
⑫	Cutting Edge	Schneidklinge	Forme de coupe	Bordo di taglio
⑬	Wear Limit	Verschleißgrenze	Limite d'usure	Limite di usura
⑭	No. of Carbon Brush	Nr. der Kohlebürste	No. de balai en carbone	N. della spazzola di carbone

	Nerderlands	Español	Português	Ελληνικά
①	Naamplaatje	Placa de características	Placa de identificação	Πινακίδα
②	Schakelaar	Pulsador	Interruptor	Διακόπτης
③	Bewegend schaarblad	Cuchilla móvil	Lâmina móvel	Κινούμενη λάμα
④	Zeskante inbusbout	Perno de cabeza hueca hexagonal	Parafuso de cabeça oca sextavada	Μπουλόνι Εξάγωνης Κεφαλής
⑤	Neit-bewegend schaarblad	Cuchilla fija	Lâmina fixa	Στατική Λάμα
⑥	Koploze schroef M4x14	Vástago M4x14	Parafuso de retenção com fendas M4x14	Κοντραβίδα Διακοπτόμενου Βήματος M4x14
⑦	Vergrendelmoer M4	Contratuerca M4	Contraporca M4	Παξιμάδι Ασφάλισης M4
⑧	Zuiger	Pistón	Pistão	Πιστόνι
⑨	Schaafijzerhouder	Sujetador de cuchilla	Suporte de lâmina	Στήριγμα Λάμας
⑩	Borstelkap	Tapa de escobilla	Proteção da escova	Κάλυμμα Ψήκτρας
⑪	Voelmaatje	Calibrador de espesores	Calibrador de espessura	Μετρητής Πάχους
⑫	Snijhoek	Filo	Gume	Άκρο Κοπής
⑬	Slijtagegrens	Límite de desgaste	Limite de desgaste	Όριο Φθοράς
⑭	Nr. van koolborstel	No. de la escobilla de carbón	Nº da escova de carvão	Αρ. Καρβουνακιού

	<p>Symbols ⚠ WARNING The following show symbols used for the machine. Be sure that you understand their meaning before use.</p>	<p>Symbole ⚠ WARNUNG Die folgenden Symbole werden für diese Maschine verwendet. Achten Sie darauf, diese vor der Verwendung zu verstehen.</p>	<p>Symboles ⚠ AVERTISSEMENT Les symboles suivants sont utilisés pour l'outil. Bien se familiariser avec leur signification avant d'utiliser l'outil.</p>	<p>Simboli ⚠ AVVERTENZA Di seguito mostriamo i simboli usati per la macchina. Assicurarsi di comprenderne il significato prima dell'uso.</p>
	<p>To reduce the risk of injury, user must read instruction manual. Failure to follow the warnings and instructions may result in electric shock, fire and/or serious injury.</p>	<p>Der Anwender muss die Bedienungsanleitung lesen, um das Risiko einer Verletzung zu verringern. Wenn die Warnungen und Anweisungen nicht befolgt werden, kann es zu Stromschlag, Brand und/oder ernsthaften Verletzungen kommen.</p>	<p>Pour réduire les risques de blessures, l'utilisateur doit lire le manuel d'utilisation. Tout manquement à observer ces avertissements et instructions peut engendrer des chocs électriques, des incendies et/ou des blessures graves.</p>	<p>Per ridurre il rischio di lesioni, l'utente deve leggere il manuale delle istruzioni. La mancata osservanza degli avvertimenti e delle istruzioni potrebbe essere causa di scosse elettriche, incendi e/o gravi lesioni.</p>
	<p>Only for EU countries Do not dispose of electric tools together with household waste material! In observance of European Directive 2012/19/EU on waste electrical and electronic equipment and its implementation in accordance with national law, electric tools that have reached the end of their life must be collected separately and returned to an environmentally compatible recycling facility.</p>	<p>Nur für EU-Länder Werfen Sie Elektrowerkzeuge nicht in den Hausmüll! Gemäss Europäischer Richtlinie 2012/19/EU über Elektro- und Elektronik- Altgeräte und Umsetzung in nationales Recht müssen verbrauchte Elektrowerkzeuge getrennt gesammelt und einer umweltgerechten Wiederverwertung zugeführt werden.</p>	<p>Pour les pays européens uniquement Ne pas jeter les appareils électriques dans les ordures ménagères! Conformément à la directive européenne 2012/19/UE relative aux déchets d'équipements électriques ou électroniques (DEEE), et à sa transposition dans la législation nationale, les appareils électriques doivent être collectés à part et être soumis à un recyclage respectueux de l'environnement.</p>	<p>Solo per Paesi UE Non gettare le apparecchiature elettriche tra i rifiuti domestici. Secondo la Direttiva Europea 2012/19/UE sui rifiuti di apparecchiature elettriche ed elettroniche e la sua attuazione in conformità alle norme nazionali, le apparecchiature elettriche esauste devono essere raccolte separatamente, al fine di essere reimpiagate in modo eco-compatibile.</p>
	<p>Symbolen ⚠ WAARSCHUWING Hieronder staan symbolen afgebeeld die van toepassing zijn op deze machine. U moet de betekenis hiervan begrijpen voor gebruik.</p>	<p> Símbolos ⚠ ADVERTENCIA A continuación se muestran los símbolos usados para la máquina. Asegúrese de comprender su significado antes del uso.</p>	<p> Símbolos ⚠ AVISO A seguir aparecem os símbolos utilizados pela máquina. Assimile bem seus significados antes do uso.</p>	<p>Σύμβολα ⚠ ΠΡΟΣΟΧΗ Τα παρακάτω δείχνουν τα σύμβολα που χρησιμοποιούνται στο μηχάνημα. Βεβαιωθείτε ότι κατανοείτε τη σημασία τους πριν τη χρήση.</p>
	<p>Om het risico op verwondingen te verminderen, moet de gebruiker de instructiehandleiding lezen. Nalating om de waarschuwingen en instructies op te volgen kan in een elektrische schok, brand en/of ernstig letsel resulteren.</p>	<p>Para reducir el riesgo de lesiones, el usuario deberá leer el manual de instrucciones. Si no se siguen las advertencias e instrucciones, podría producirse una descarga eléctrica, un incendio y/o daños graves.</p>	<p>Para reduzir o risco de lesão, o utilizador deve ler o manual de instruções. Se não seguir todas as instruções e os avisos, pode provocar um choque eléctrico, incêndio e/ou ferimentos graves.</p>	<p>Για τον περιορισμό του κινδύνου τραυματισμού, ο χρήστης πρέπει να διαβάσει το εγχειρίδιο οδηγιών χρήσης. Η μη τήρηση των προειδοποιήσεων και οδηγιών μπορεί να προκαλέσει ηλεκτροπληξία, πυρκαγιά και/ή σοβαρό τραυματισμό.</p>
	<p>Alleen voor EU-landen Geef elektrisch gereedschap niet met het huisvuil mee! Volgens de Europese richtlijn 2012/19/EU inzake oude elektrische en elektronische apparaten en de toepassing daarvan binnen de nationale wetgeving, dient gebruikt elektrisch gereedschap gescheiden te worden ingezameld en te worden afgevoerd naar een recycle bedrijf dat voldoet aan de geldende milieueisen.</p>	<p>Sólo para países de la Unión Europea ¡No deseché los aparatos eléctricos junto con los residuos domésticos! De conformidad con la Directiva Europea 2012/19/UE sobre residuos de aparatos eléctricos y electrónicos y su aplicación de acuerdo con la legislación nacional, las herramientas eléctricas cuya vida útil haya llegado a su fin se deberán recoger por separado y trasladar a una planta de reciclaje que cumpla con las exigencias ecológicas.</p>	<p>Apenas para países da UE Não deite ferramentas eléctricas no lixo doméstico! De acordo com a directiva europeia 2012/19/UE sobre ferramentas eléctricas e electrónicas usadas e a transposição para as leis nacionais, as ferramentas eléctricas usadas devem ser recolhidas em separado e encaminhadas a uma instalação de reciclagem dos materiais ecológica.</p>	<p>Μόνο για τις χώρες της ΕΕ Μην πετάτε τα ηλεκτρικά εργαλεία στον κάδο οικιακών απορριμμάτων! Σύμφωνα με την ευρωπαϊκή οδηγία 2012/19/ΕΕ περί ηλεκτρικών και ηλεκτρονικών συσκευών και την ενσωμάτωσή της στο εθνικό δίκαιο, τα ηλεκτρικά εργαλεία πρέπει να συλλέγονται ξεχωριστά και να επιστρέφονται για ανακύκλωση με τρόπο φιλικό προς το περιβάλλον.</p>

GENERAL POWER TOOL SAFETY WARNINGS

WARNING

Read all safety warnings, instructions, illustrations and specifications provided with this power tool.

Failure to follow all instructions listed below may result in electric shock, fire and/or serious injury.

Save all warnings and instructions for future reference.

The term "power tool" in the warnings refers to your mains-operated (corded) power tool or battery-operated (cordless) power tool.

1) Work area safety

- a) **Keep work area clean and well lit.**
Cluttered or dark areas invite accidents.
- b) **Do not operate power tools in explosive atmospheres, such as in the presence of flammable liquids, gases or dust.**
Power tools create sparks which may ignite the dust or fumes.
- c) **Keep children and bystanders away while operating a power tool.**
Distractions can cause you to lose control.

2) Electrical safety

- a) **Power tool plugs must match the outlet. Never modify the plug in any way. Do not use any adapter plugs with earthed (grounded) power tools.**
Unmodified plugs and matching outlets will reduce risk of electric shock.
- b) **Avoid body contact with earthed or grounded surfaces, such as pipes, radiators, ranges and refrigerators.**
There is an increased risk of electric shock if your body is earthed or grounded.
- c) **Do not expose power tools to rain or wet conditions.**
Water entering a power tool will increase the risk of electric shock.
- d) **Do not abuse the cord. Never use the cord for carrying, pulling or unplugging the power tool. Keep cord away from heat, oil, sharp edges or moving parts.**
Damaged or entangled cords increase the risk of electric shock.
- e) **When operating a power tool outdoors, use an extension cord suitable for outdoor use.**
Use of a cord suitable for outdoor use reduces the risk of electric shock.
- f) **If operating a power tool in a damp location is unavoidable, use a residual current device (RCD) protected supply.**
Use of an RCD reduces the risk of electric shock.

3) Personal safety

- a) **Stay alert, watch what you are doing and use common sense when operating a power tool. Do not use a power tool while you are tired or under the influence of drugs, alcohol or medication.**
A moment of inattention while operating power tools may result in serious personal injury.
- b) **Use personal protective equipment. Always wear eye protection.**
Protective equipment such as a dust mask, non-skid safety shoes, hard hat or hearing protection used for appropriate conditions will reduce personal injuries.

- c) **Prevent unintentional starting. Ensure the switch is in the off-position before connecting to power source and/or battery pack, picking up or carrying the tool.**

Carrying power tools with your finger on the switch or energising power tools that have the switch on invites accidents.

- d) **Remove any adjusting key or wrench before turning the power tool on.**

A wrench or a key left attached to a rotating part of the power tool may result in personal injury.

- e) **Do not overreach. Keep proper footing and balance at all times.**

This enables better control of the power tool in unexpected situations.

- f) **Dress properly. Do not wear loose clothing or jewellery. Keep your hair and clothing away from moving parts.**

Loose clothes, jewellery or long hair can be caught in moving parts.

- g) **If devices are provided for the connection of dust extraction and collection facilities, ensure these are connected and properly used.**

Use of dust collection can reduce dust-related hazards.

- h) **Do not let familiarity gained from frequent use of tools allow you to become complacent and ignore tool safety principles.**

A careless action can cause severe injury within a fraction of a second.

4) Power tool use and care

- a) **Do not force the power tool. Use the correct power tool for your application.**

The correct power tool will do the job better and safer at the rate for which it was designed.

- b) **Do not use the power tool if the switch does not turn it on and off.**

Any power tool that cannot be controlled with the switch is dangerous and must be repaired.

- c) **Disconnect the plug from the power source and/or remove the battery pack, if detachable, from the power tool before making any adjustments, changing accessories, or storing power tools.**

Such preventive safety measures reduce the risk of starting the power tool accidentally.

- d) **Store idle power tools out of the reach of children and do not allow persons unfamiliar with the power tool or these instructions to operate the power tool.**

Power tools are dangerous in the hands of untrained users.

- e) **Maintain power tools and accessories. Check for misalignment or binding of moving parts, breakage of parts and any other condition that may affect the power tool's operation. If damaged, have the power tool repaired before use.**

Many accidents are caused by poorly maintained power tools.

- f) **Keep cutting tools sharp and clean.**

Properly maintained cutting tools with sharp cutting edges are less likely to bind and are easier to control.

- g) **Use the power tool, accessories and tool bits etc. in accordance with these instructions, taking into account the working conditions and the work to be performed.**

Use of the power tool for operations different from those intended could result in a hazardous situation.

- h) **Keep handles and grasping surfaces dry, clean and free from oil and grease.**

Slippery handles and grasping surfaces do not allow for safe handling and control of the tool in unexpected situations.

5) Service

- a) **Have your power tool serviced by a qualified repair person using only identical replacement parts.**

This will ensure that the safety of the power tool is maintained.

PRECAUTION

Keep children and infirm persons away.

When not in use, tools should be stored out of reach of children and infirm persons.

SPECIFICATIONS

Voltage (by areas)*		(110 V, 120 V, 127 V, 220 V, 230 V, 240 V) ~
Input		400 W*
Cutting capacity	Mild steel plate (400 N/mm ²)	1.6 mm
	Stainless steel plate (600 N/mm ²)	1.2 mm
	Aluminum plate (200 N/mm ²)	2.3 mm
Number of strokes at no load		4700 min ⁻¹
Weight (without cord)**		1.7 kg

* Be sure to check the nameplate on product as it is subject to change by areas

** According to EPTA-Procedure 01/2014

STANDARD ACCESSORIES

- (1) Thickness gauge 1
 (2) Hexagon bar wrench 1
 Standard accessories are subject to change without notice.

APPLICATIONS

- For shearing steel plate, brass plate, copper plate, aluminum plate, stainless steel plate, tin plate, and other metal plates, also leather and fiberboard.

PRIOR TO OPERATION

1. Power source

Ensure that the power source to be utilized conforms to the power requirements specified on the product nameplate.

2. Power switch

Ensure that the power switch is in the OFF position. If the plug is connected to a receptacle while the power switch is in the ON position, the power tool will start operating immediately, which could cause a serious accident.

3. Extension cord

When the work area is removed from the power source, use an extension cord of sufficient thickness and rated capacity. The extension cord should be kept as short as practicable.

4. Adjusting the horizontal gap between the shearing blades

Adjust the horizontal gap between the shearing blades (A in Fig. 2) at approximately 1/10 the steel plate thickness to be sheared, according to the following procedures. (Fig. 3)

PRECAUTIONS ON USING THE HAND SHEAR

1. Beware of sharp panel edges.
The edge of the plate just cut by the hand shear is very sharp. Take care in not getting hurt by the sharp edge.
2. Start cutting only after the blade attains the proper speed.
After turning on the power switch, wait until the blade attains the proper speed, then start cutting.
3. Preserve the power cord.
Be sure that the power cord is not abraded or cut by the sharp edge of the cut panel.

- (1) Loosen the hexagonal socket bolts fastening the stationary blade. Loosen the M4 lock nut, and push back the M4 slotted set screws slightly.
- (2) From the supplied thickness gauges, select one that is 1/10 the thickness of the panel to be cut. Thickness of each thickness gauge is marked thereon. Insert the gauge in between the blades, then tighten the hexagonal socket bolts very loosely. Next, use a screwdriver to turn the M4 slotted set screws to position the stationary blade until it hits the thickness gauge.
- (3) If the space between blades is larger than the thickness of the panel to be cut, there will be burrs for a less than clean cut.
If the space between blades is too narrow, cutting speed will be affected. For cutting in a curved line, making the space a little bigger will make the cutting easier.
- (4) After adjustment, tighten the M4 nuts securely so they will not loosen during operation.
- (5) Securely tighten the hexagonal socket bolts fastening the stationary blade.

CUTTING

CAUTION

- Do not attempt to cut panels of thicknesses that are beyond the capability of the hand shear. Doing so will result in premature breakage of the hand shear.
- Perform the cutting operation only after the panel is fixed securely.

Always hold the tool firmly with hand on housing (Fig. 4) When cutting thin panels, level the unit horizontally, as shown in Fig. 4.

To facilitate smooth cutting of thick panels, if the cut-off side goes toward the left, (Fig. 4) raise the rear of the unit slightly. And if the cut-off side goes toward the right, lower the rear of the unit slightly.

BLADE REPLACEMENT

The hand shear uses disposable blades. Each blade has 8 cutting edges, as shown in Fig. 5. After a cutting edge cuts 400 meters of panel, cutting performance will fall. Then use another cutting edge. After all 8 cutting edges are used and worn, replace the blade.

MAINTENANCE AND INSPECTION

1. Inspecting the blade

Using a worn or chipped blade will put an excessive burden on the motor and affect work performance. Therefore, always use a well-cutting blade.

2. Inspecting the mounting screws

Regularly inspect all mounting screws and ensure that they are properly tightened. Should any of the screws be loose, retighten them immediately. Failure to do so could result in serious hazard.

3. Maintenance of the motor

The motor unit winding is the very "heart" of the power tool. Exercise due care to ensure the winding does not become damaged and/or wet with oil or water.

4. Inspecting the carbon brushes (Fig. 6)

The motor employs carbon brushes which are consumable parts. Since an excessively worn carbon brush can result in motor trouble, replace the carbon brushes with new ones having the same carbon brush No. ① shown in the figure when it becomes worn to or near the "wear limit" ②. In addition, always keep carbon brushes clean and ensure that they slide freely within the brush holders.

5. Replacing carbon brushes

Disassemble the brush cap with a screwdriver. The carbon brush can then be easily removed.

6. Replacing supply cord

If the supply cord of Tool is damaged, the Tool must be returned to HIKOKI Authorized Service Center for the cord to be replaced.

7. Servicing

Consult an authorized Service Agent in the event of power tool failure.

CAUTION

In the operation and maintenance of power tools, the safety regulations and standards prescribed in each country must be observed.

GUARANTEE

We guarantee HIKOKI Power Tools in accordance with statutory/country specific regulation. This guarantee does not cover defects or damage due to misuse, abuse, or normal wear and tear. In case of complaint, please send the Power Tool, undismantled, with the GUARANTEE CERTIFICATE found at the end of this Handling instruction, to a HIKOKI Authorized Service Center.

NOTE

Due to HIKOKI's continuing program of research and development, the specifications herein are subject to change without prior notice.

IMPORTANT:

Correct connection of the plug

The wires of the main lead are coloured in accordance with the following code:

Blue: -Neutral

Brown: -Live

As the colours of the wires in the main lead of this tool may not correspond with the coloured markings identifying the terminals in your plug proceed as follows:

The wire coloured blue must be connected to the terminal marked with the letter N or coloured black. The wire coloured brown must be connected to the terminal marked with the letter L or coloured red. Neither core must be connected to the earth terminal.

NOTE:

This requirement is provided according to BRITISH STANDARD 2769: 1984.

Therefore, the letter code and colour code may not be applicable to other markets except The United Kingdom.

Information concerning airborne noise and vibration

The measured values were determined according to EN62841 and declared in accordance with ISO 4871.

Measured A-weighted sound power level: 89 dB (A).

Measured A-weighted sound pressure level: 78 dB (A).

Uncertainty KpA: 3 dB (A).

Wear hearing protection.

Vibration total values (triax vector sum) determined according to EN62841.

Cutting metal sheet:

Vibration emission value $a_{rh} = 5.6 \text{ m/s}^2$

Uncertainty K = 1.5 m/s²

WARNING

- The vibration emission value during actual use of the power tool can differ from the declared value depending on the ways in which the tool is used.
- To identify the safety measures to protect the operator that are based on an estimation of exposure in the actual conditions of use (taking account of all parts of the operating cycle such as the times when the tool is switched off and when it is running idle in addition to the trigger time).

ALLGEMEINE SICHERHEITSHINWEISE FÜR ELEKTROGERÄTE

⚠️ WARNUNG

Bitte beachten Sie sämtliche mit diesem Elektrogerät gelieferten Sicherheitshinweise, Anweisungen, Illustrationen und technischen Angaben.

Wenn die nachfolgenden Anweisungen nicht befolgt werden, kann es zu Stromschlag, Brand und/oder ernsthaften Verletzungen kommen.

Bitte bewahren Sie alle Warnhinweise und Anweisungen zum späteren Nachschlagen auf.

Der Begriff „Elektrowerkzeug“ bezieht sich in den Warnhinweisen auf Elektrowerkzeuge mit Netz- (schnurgebunden) oder Akkubetrieb (schnurlos).

1) Sicherheit im Arbeitsbereich

a) Sorgen Sie für einen sauberen und gut ausgeleuchteten Arbeitsbereich.

Zugestellte oder dunkle Bereiche ziehen Unfälle förmlich an.

b) Verwenden Sie Elektrowerkzeuge niemals an Orten, an denen Explosionsgefahr besteht, wie zum Beispiel in der Nähe von leicht entflammaren Flüssigkeiten, Gasen oder Stäuben.

Bei der Arbeit mit Elektrowerkzeugen kann es zu Funkenbildung kommen, wodurch sich Stäube oder Dämpfe entzünden können.

c) Sorgen Sie bei der Arbeit mit Elektrowerkzeugen dafür, dass sich keine Zuschauer (insbesondere Kinder) in der Nähe befinden.

Wenn Sie abgelenkt werden, können Sie die Kontrolle über das Werkzeug verlieren.

2) Elektrische Sicherheit

a) Elektrowerkzeuge müssen mit passender Stromversorgung betrieben werden. Nehmen Sie niemals irgendwelche Änderungen am Anschlussstecker vor. Verwenden Sie bei Elektrowerkzeugen mit Schutzkontakt (geerdet) niemals Adapterstecker. Stecker im Originalzustand und passende Steckdosen reduzieren das Stromschlagrisiko.

b) Vermeiden Sie Körperkontakt mit geerdeten Gegenständen wie Rohrleitungen, Heizungen, Herden oder Kühlschränken.

Bei Körperkontakt mit geerdeten Gegenständen besteht ein erhöhtes Stromschlagrisiko.

c) Setzen Sie Elektrowerkzeuge niemals Regen oder sonstiger Feuchtigkeit aus.

Wenn Flüssigkeiten in ein Elektrowerkzeug eindringen, erhöht sich das Stromschlagrisiko.

d) Verwenden Sie das Anschlusskabel nicht missbräuchlich. Tragen Sie das Elektrowerkzeug niemals am Stromkabel, ziehen Sie es nicht damit heran und ziehen Sie den Stecker nicht am Anschlusskabel aus der Steckdose.

Halten Sie das Anschlusskabel von Hitzequellen, Öl, scharfen Kanten und beweglichen Teilen fern.

Beschädigte oder verdrehte Anschlusskabel erhöhen das Stromschlagrisiko.

e) Verwenden Sie, wenn Sie ein Elektrowerkzeug im Freien benutzen, ein für den Außeneinsatz geeignetes Verlängerungskabel.

Ein für den Außeneinsatz geeignetes Kabel vermindert das Stromschlagrisiko.

f) Falls sich der Betrieb des Elektrowerkzeugs in feuchter Umgebung nicht vermeiden lässt, verwenden Sie eine Stromversorgung mit Fehlerstromschutzeinrichtung (Residual Current Device, RCD).

Durch den Einsatz einer Fehlerstromschutzeinrichtung wird das Risiko eines elektrischen Schlages reduziert.

3) Persönliche Sicherheit

a) Bleiben Sie wachsam, achten Sie auf das, was Sie tun, und setzen Sie Ihren Verstand ein, wenn Sie mit Elektrowerkzeugen arbeiten.

Benutzen Sie keine Elektrowerkzeuge, wenn Sie müde sind oder unter Einfluss von Drogen, Alkohol oder Medikamenten stehen.

Bei der Arbeit mit Elektrowerkzeugen können bereits kurze Phasen der Unaufmerksamkeit zu schweren Verletzungen führen.

b) Benutzen Sie eine persönliche Schutzausrüstung. Tragen Sie immer einen Augenschutz.

Schutzausrüstung wie Staubmaske, rutschfeste Sicherheitsschuhe, Schutzhelm und Gehörschutz senken bei angemessenem Einsatz das Verletzungsrisiko.

c) Vermeiden Sie unbeabsichtigtes Einschalten. Achten Sie darauf, dass sich der Schalter in der Aus- (Off-) Position befindet, ehe Sie das Gerät mit der Stromversorgung und/oder Batteriestromversorgung verbinden, es aufheben oder herumtragen.

Das Herumtragen von Elektrowerkzeugen mit dem Finger am Schalter oder das Herstellen der Stromversorgung bei betätigtem Schalter zieht Unfälle regelrecht an.

d) Entfernen Sie sämtliche Einstellwerkzeuge (Einstellschlüssel), ehe Sie das Elektrowerkzeug einschalten.

Ein an einem beweglichen Teil des Elektrowerkzeugs angebrachter Schlüssel kann zu Verletzungen führen.

e) Überstrecken Sie sich nicht. Achten Sie jederzeit darauf, sicher zu stehen und das Gleichgewicht zu bewahren.

Dadurch haben Sie das Elektrowerkzeug in unerwarteten Situationen besser im Griff.

f) Tragen Sie geeignete Kleidung. Tragen Sie keine lose Kleidung oder Schmuck. Halten Sie Ihr Haar und Ihre Kleidung von beweglichen Teilen fern.

Lose Kleidung, Schmuck oder langes Haar kann von beweglichen Teilen erfasst werden.

g) Wenn Anschlüsse für Staubabsaug- und -sammelvorrichtungen vorhanden sind, sorgen Sie dafür, dass diese richtig angeschlossen und eingesetzt werden.

Durch Entfernen des Staubes können staubbezogene Gefahren vermindert werden.

h) Lassen Sie es nicht zu, dass die durch häufigen Gebrauch von Werkzeugen erworbene Vertrautheit Sie nachlässig macht und Sie die Sicherheitsrichtlinien für das Werkzeug ignorieren.

Eine unvorsichtige Handlung kann in Sekundenbruchteilen zu schweren Verletzungen führen.

- 4) Einsatz und Pflege von Elektrowerkzeugen
- a) **Überbeanspruchen Sie Elektrowerkzeuge nicht. Benutzen Sie das richtige Elektrowerkzeug für Ihren Einsatzzweck.**
Das richtige Elektrowerkzeug erledigt seine Arbeit bei bestimmungsgemäßem Einsatz besser und sicherer.
- b) **Benutzen Sie das Elektrowerkzeug nicht, wenn es sich nicht am Schalter ein- und ausschalten lässt.**
Jedes Elektrowerkzeug, das nicht mit dem Schalter betätigt werden kann, stellt eine Gefahr dar und muss repariert werden.
- c) **Ziehen Sie den Stecker der Stromversorgung ab und/oder entfernen Sie den Akkupack vom Elektrowerkzeug, falls abnehmbar, ehe Sie Einstellarbeiten vornehmen, Zubehörteile tauschen oder das Elektrowerkzeug verstauen.**
Solche präventiven Sicherheitsmaßnahmen verhindern den unbeabsichtigten Anlauf des Elektrowerkzeugs und die damit verbundenen Gefahren.
- d) **Lagern Sie nicht benutzte Elektrowerkzeuge außerhalb der Reichweite von Kindern, lassen Sie nicht zu, dass Personen das Elektrowerkzeug bedienen, die nicht mit dem Werkzeug selbst und/oder diesen Anweisungen vertraut sind.**
Elektrowerkzeuge in ungeschulten Händen sind gefährlich.
- e) **Wartung von Elektrowerkzeugen und Zubehör. Prüfen Sie sie auf Fehlausrichtungen, Leichtgängigkeit beweglicher Teile, Beschädigungen von Teilen und auf alle anderen Umstände, die sich auf den Betrieb des Elektrowerkzeugs auswirken können. Lassen Sie das Elektrowerkzeug bei Beschädigungen reparieren, ehe Sie es benutzen.**
Viele Unfälle mit Elektrowerkzeugen sind auf schlechte Wartung zurückzuführen.
- f) **Halten Sie Schneidwerkzeuge scharf und sauber.**
Richtig gewartete Schneidwerkzeuge mit scharfen Schneiden bleiben weniger häufig hängen und sind einfacher zu beherrschen.

- g) **Benutzen Sie Elektrowerkzeuge, Zubehör, Werkzeugschneiden und Ähnliches in Übereinstimmung mit diesen Anweisungen – beachten Sie dabei die jeweiligen Arbeitsbedingungen und die Art der auszuführenden Arbeiten.**
Der Gebrauch des Elektrowerkzeugs für andere als die vorgesehenen Anwendungen kann zu gefährlichen Situationen führen.
- h) **Halten Sie Handgriffe und Greifflächen trocken, sauber und frei von Öl und Fett.**
Rutschige Handgriffe und Greifflächen lassen keine sichere Handhabung und Kontrolle des Werkzeugs in unerwarteten Situationen zu.
- 5) Service
- a) **Lassen Sie Elektrowerkzeuge durch qualifizierte Fachkräfte und nur unter Einsatz passender Originalersatzteile warten.**
Dies sorgt dafür, dass die Sicherheit des Elektrowerkzeugs nicht beeinträchtigt wird.

VORSICHT
Von Kindern und gebrechlichen Personen fernhalten. Werkzeuge sollten bei Nichtgebrauch außerhalb der Reichweite von Kindern und gebrechlichen Personen aufbewahrt werden.

VORSICHTSMASSNAHMEN BEI DER BENUTZUNG DES SCHERE

- Vorsicht vor scharfen Blechkanten.
 Die Kante des frisch geschnittenen Blechs kann sehr scharf sein. Bei unvorsichtigem Umgang besteht Verletzungsgefahr.
- Erst mit dem Schneiden beginnen, wenn die Klinge die richtige Arbeitsgeschwindigkeit erreicht hat.
 Nach dem Einschalten des Gerätes warten, bis die Klinge die richtige Geschwindigkeit erreicht hat, und dann erst mit dem Schneiden beginnen.
- Vorsicht mit dem Netzkabel.
 Sicherstellen, daß das Netzkabel nicht durch die scharfen Kanten des geschnittenen Blechs beschädigt oder durchgeschnitten werden kann.

TECHNISCHE DATEN

Spannung (je nach Gebiet)*		(110 V, 120 V, 127 V, 220 V, 230 V, 240 V) ~
Leistungsaufnahme		400 W*
Schneidekapazität	Flußstahlplatten (400N/mm ²)	1,6 mm
	Rostfreie Stahl-Platte (600N/mm ²)	1,2 mm
	Aluminiumblech (200N/mm ²)	2,3 mm
Anzahl der Stöße ohne Last		4700 min ⁻¹
Gewicht (ohne Kabel)**		1,7 kg

* Vergessen Sie nicht, die Produktangaben auf dem Typenschild zu überprüfen, da sich diese je nach Verkaufsgebiet ändern.

** Gemäß EPTA-Verfahren 01/2014

STANDARDZUBEHÖR

- (1) Dickenlehre 1
(2) Innensechskantschlüssel 1
Das Standardzubehör kann ohne vorherige Bekanntmachung jederzeit geändert werden.

ANWENDUNG

- Zum Schneiden von Eisenblechen, Bronzeblechen, Kupferblechen, Aluminiumblechen, Nirosstahtblechen, Zinnblechen und anderen Metallblechen ebenso wie zum Schneiden von Leder und Faserplatten.

VOR INBETRIEBNAHME

1. Netzspannung

Prüfen, daß die zu verwendende Netzspannung der Angabe auf dem Typenschild entspricht.

2. Netzschalter

Prüfen, daß der Netzschalter auf „AUS“ steht. Wenn der Stecker an das Netz angeschlossen wird, während der Schalter auf „EIN“ steht, beginnt das Werkzeug sofort zu laufen, was gefährlich ist.

3. Verlängerungskabel

Wenn der Arbeitsbereich nicht in der Nähe des Netzanschlusses liegt, ist ein Verlängerungskabel ausreichenden Querschnitts und ausreichender Nennleistung zu verwenden. Das Verlängerungskabel sollte so kurz wie möglich gehalten werden.

4. Einstellen des horizontalen Abstands zwischen den Schneidklingen

Den horizontalen Abstand zwischen den Schneidblechen (A in **Abb. 2**) auf ca. 1/10 der Dicke des zu schneidenden Blechs einstellen und dabei das im folgenden beschriebene Verfahren anwenden. (**Abb. 3**)

- (1) Die Sechskant-Steckschrauben, die die feste Klinge halten, lösen. Die Gegenmutter M4 lösen, und dann die Schlitz-Stellschrauben M4 leicht zurückdrücken.
(2) Mit der mitgelieferten Dickenlehre eine Dicke einstellen, die 1/10 der Dicke des zu schneidenden Blechs beträgt. Die Dicke der betreffenden Lehren ist auf den Bauteilen angegeben. Die Lehre zwischen die Klingen einführen, und dann die Sechskant-Steckschrauben locker einstecken. Dann mit einem Schraubenzieher die M4 (Schlitz-Stellschrauben) zum Befestigen der festen Klinge drehen, bis die Dickenlehre berührt wird.
(3) Wenn der Abstand zwischen den Klingen größer ist, als die Dicke des zu schneidenden Blechs, ist der Schnitt nicht sauber, und es treten scharfe Schneidzacken auf. Wenn der Abstand zwischen den Klingen zu klein ist, wird die Schneidgeschwindigkeit beeinträchtigt. Zum Kurvenschneiden den Abstand etwas größer einstellen, um den Schneidvorgang zu erleichtern.
(4) Nach der Einstellung die M4-Muttern fest anziehen, so daß sie sich beim Betrieb nicht lockern.
(5) Die Sechskant-Steckschrauben zum Halten der festen Klinge fest anziehen.

SCHNEIDEN

ACHTUNG

- Nicht versuchen, Platten zu schneiden, die für die Schere zu dick sind. Dadurch wird die Lebensdauer der Schere beeinträchtigt.
○ Den Schneidbetrieb erst beginnen, wenn das zu schneidende Material sicher befestigt ist.

Halten Sie das Werkzeug stets mit der Hand am Gehäuse fest (**Abb. 4**)

Beim Schneiden dünner Platten das Gerät waagrecht halten, wie in **Abb. 4** gezeigt.

Um glattes Schneiden durch dicke Platten zu erleichtern, wenn die Abschnittseite nach links geht (**Abb. 4**), das hintere Ende des Gerätes leicht anheben. Wenn die Abschnittseite nach rechts geht, das hintere Ende des Gerätes leicht absenken.

KLINGENWECHSEL

Die Schere arbeitet mit Wegwerf-Klingen. Jede Klinge hat 8 Schneidkanten, wie in **Abb. 5** gezeigt. Wenn 400 m Blech geschnitten ist, sinkt die Schneidleistung. In diesem Fall die Klingen in eine andere Richtung drehen, um eine andere Schneidkante zu verwenden. Wenn alle 8 Schneidkanten abgenutzt sind, die Klinge auswechseln.

WARTUNG UND INSPEKTION

1. Prüfen der Klinge

Wenn eine abgenutzte oder eingekerbte Klinge verwendet wird, wird der Motor zu stark belastet und die Arbeitsleistung beeinträchtigt. Darum immer eine in gutem Zustand befindliche Klinge verwenden.

2. Inspektion der Befestigungsschrauben

Alle Befestigungsschrauben werden regelmäßig inspiziert und geprüft, ob sie gut angezogen sind. Wenn sich eine der Schrauben lockert, muß sie sofort wieder angezogen werden. Geschieht das nicht, kann das zu erheblichen Gefahren führen.

3. Wartung des Motors

Die Motorwicklung ist das „Herz“ des Elektrowerkzeugs. Daher ist besonders sorgfältig darauf zu achten, daß die Wicklung nicht beschädigt wird und/oder mit Öl oder Wasser in Berührung kommt.

4. Inspektion der Kohlebürsten (**Abb. 6**)

Im Motor sind Kohlebürsten verwendet, die Verbrauchsteile sind. Da übermäßig abgenutzte Kohlebürsten Motorstörungen verursachen können, ersetzen Sie die Kohlebürsten durch neue mit der in der Abbildung aufgeführten Nummer ①, wenn sie bis zur „Verschleißgrenze“ ☺ oder in deren Nähe abgenutzt worden sind. Darüber hinaus müssen die Kohlebürsten immer sauber gehalten werden und müssen sich in der Halterung frei bewegen können.

5. Austausch einer Kohlebürste

Der Bürstendeckel wird mit einem Steckschlüssel abmontiert. Dann kann die Kohlebürste leicht entfernt werden.

6. Auswechseln des Netzkabels

Ist das Netzkabel des Werkzeugs beschädigt, muss das Werkzeug an ein autorisiertes HiKOKI Service-Center zurückgegeben werden, damit das Kabel ausgetauscht wird.

7. Kundendienst

Wenden Sie sich im Falle des Ausfalls des Elektrowerkzeugs an einen autorisierten Kundendienstvertreter.

ACHTUNG

Bei Betrieb und Wartung von Elektrowerkzeugen müssen die Sicherheitsvorschriften und Normen beachtet werden.

GARANTIE

Auf HiKOKI-Elektrowerkzeuge gewähren wir eine Garantie unter Zugrundelegung der jeweils geltenden gesetzlichen und landesspezifischen Bedingungen. Dieses Garantie erstreckt sich nicht auf Gehäusedefekte und nicht auf Schäden, die auf Missbrauch, bestimmungswidrigen Einsatz oder normalen Verschleiß zurückzuführen sind. Im Schadensfall senden Sie das nicht zerlegte Elektrowerkzeug zusammen mit dem GARANTIESCHEIN, den Sie am Ende der Bedienungsanleitung finden, an ein von HiKOKI autorisiertes Servicecenter.

ANMERKUNG

Aufgrund des ständigen Forschungs- und Entwicklungsprogramms von HiKOKI sind Änderungen der hierin gemachten technischen Angaben nicht ausgeschlossen.

Information über Betriebslärm und Vibration

Die gemessenen Werte wurden entsprechend EN62841 bestimmt und in Übereinstimmung mit ISO 4871 ausgewiesen.

Gemessener A-gewichteter Schallpegel: 89 dB (A)

Gemessener A-gewichteter Schalldruck: 78 dB (A)

Messunsicherheit KpA: 3 dB (A)

Gehörschutz tragen.

Gesamtvibrationswerte (3-Achsen-Vektorsumme), bestimmt gemäß EN62841.

Schneiden von Metallblech:

Vibrationsemissionswert $a_{rh} = 5,6 \text{ m/s}^2$

Messunsicherheit K = 1,5 m/s²

WARNUNG

- Der Vibrationsemissionswert während der tatsächlichen Benutzung des Elektrowerkzeugs kann von dem deklarierten Wert abweichen, abhängig davon, wie das Werkzeug verwendet wird.
- Zur Festlegung der Sicherheitsmaßnahmen zum Schutz des Bedieners, die auf einer Expositionseinschätzung unter den tatsächlichen Benutzungsbedingungen beruhen (unter Berücksichtigung aller Bereiche des Betriebszyklus, darunter neben der Triggerzeit auch die Zeiten, in denen das Werkzeug ausgeschaltet ist oder im Leerlaufbetrieb läuft).

AVERTISSEMENTS DE SÉCURITÉ GÉNÉRAUX POUR L'OUTIL

⚠ AVERTISSEMENT

Lire tous les avertissements de sécurité, instructions, illustrations et spécifications donnés avec cet outil électrique.

Le non-respect de toutes les instructions indiquées ci-dessous peut entraîner une électrocution, un incendie et/ou de graves blessures.

Conserver tous les avertissements et toutes les instructions pour pouvoir s'y reporter ultérieurement.

Le terme « outil » dans les avertissements fait référence à l'outil électrique alimenté par le secteur (avec cordon d'alimentation) ou à l'outil fonctionnant sur batterie (sans cordon d'alimentation).

1) Sécurité de la zone de travail

- a) Conserver la zone de travail propre et bien éclairée.

Les zones en désordre ou sombres sont propices aux accidents.

- b) Ne pas faire fonctionner les outils électriques en atmosphère explosive, par exemple en présence de liquides inflammables, de gaz ou de poussières.

Les outils électriques produisent des étincelles qui peuvent enflammer les poussières ou les fumées.

- c) Maintenir les enfants et les badauds à l'écart pendant l'utilisation de l'outil.

Les distractions peuvent faire perdre le contrôle de l'outil à l'utilisateur.

2) Sécurité électrique

- a) Il faut que les fiches de l'outil électrique soient adaptées au socle. Ne jamais modifier la fiche de quelque façon que ce soit. Ne pas utiliser d'adaptateurs avec des outils à branchement de terre.

Des fiches non modifiées et des socles adaptés réduiront le risque de décharge électrique.

- b) Éviter tout contact du corps avec des surfaces reliées à la terre telles que les tuyaux, les radiateurs, les cuisinières et les réfrigérateurs. Il existe un risque accru de décharge électrique si le corps de l'utilisateur est relié à la terre.

- c) Ne pas exposer les outils à la pluie ou à des conditions humides.

La pénétration d'eau à l'intérieur d'un outil augmentera le risque de décharge électrique.

- d) Ne pas maltraiter le cordon. Ne jamais utiliser le cordon pour porter, tirer ou débrancher l'outil.

Maintenir le cordon à l'écart de la chaleur, du lubrifiant, des arêtes ou des parties en mouvement.

Des cordons endommagés ou emmêlés augmentent le risque de décharge électrique.

- e) Lorsqu'on utilise un outil à l'extérieur, il faut utiliser un prolongateur adapté à l'utilisation extérieure.

L'utilisation d'un cordon adapté à l'utilisation extérieure réduit le risque de décharge électrique.

- f) Si l'usage d'un outil dans un emplacement humide est inévitable, utiliser une alimentation protégée par un dispositif différentiel à courant résiduel (DDR).

L'usage d'un DDR réduit le risque de décharge électrique.

3) Sécurité des personnes

- a) Rester vigilant, regarder ce que l'on est en train de faire et faire preuve de bon sens dans son utilisation de l'outil.

Ne pas utiliser un outil lorsqu'on est fatigué ou sous l'emprise de drogues, d'alcool ou de médicaments.

Un moment d'inattention en cours d'utilisation d'un outil peut entraîner des blessures graves.

- b) Utiliser un équipement de sécurité. Toujours porter des verres de protection.

L'utilisation d'un équipement de protection comme un masque antipoussière, des chaussures de sécurité antidérapantes, un casque de sécurité ou des protections auditives dans des conditions appropriées réduira les risques de blessures corporelles.

- c) Éviter tout démarrage intempestif. S'assurer que l'interrupteur est en position d'arrêt avant de brancher l'outil au secteur et/ou à la batterie, de le ramasser ou de le porter.

Porter un outil en ayant le doigt sur l'interrupteur ou brancher un outil dont l'interrupteur est en position de marche est source d'accidents.

- d) Retirer toute clé de réglage avant de mettre l'outil en marche.

Une clé laissée fixée sur une partie tournante de l'outil peut donner lieu à des blessures.

- e) Ne pas se pencher trop loin. Garder une position et un équilibre adaptés à tout moment. Cela permet un meilleur contrôle de l'outil dans des situations inattendues.

- f) S'habiller de manière adaptée. Ne pas porter de vêtements amples ou de bijoux. Gardez vos cheveux et vos vêtements loin des pièces mobiles.

Les pièces en mouvement peuvent happer les vêtements amples, les bijoux ou les cheveux longs.

- g) Si des dispositifs sont fournis pour le raccordement d'équipements pour l'extraction et la récupération des poussières, s'assurer qu'ils sont connectés et correctement utilisés.

Utiliser des collecteurs de poussière peut réduire les risques dus aux poussières.

- h) La familiarité acquise par une utilisation fréquente des outils ne doit pas vous rendre complaisant et vous faire ignorer les principes de sécurité des outils.

Un geste imprudent peut causer de graves blessures en une fraction de seconde.

4) Utilisation et entretien de l'outil

- a) Ne pas forcer l'outil. Utiliser l'outil adapté à l'application souhaitée.

Si l'on utilise l'outil électrique adéquat en respectant le régime pour lequel il a été conçu, il réalisera un travail de meilleure qualité et plus sûr.

- b) Ne pas utiliser l'outil si l'interrupteur ne permet pas de passer de l'état de marche à arrêt et vice versa.

Un outil électrique ne pouvant être contrôlé par l'interrupteur représente un danger et doit être réparé.

- c) Débrancher la fiche de la source d'alimentation et/ou retirer la batterie de l'outil, si elle est détachable, avant tout réglage, changement d'accessoires ou avant de ranger l'outil.

Ces mesures de sécurité préventives réduiront les risques de démarrage accidentel de l'outil électrique.

d) Après utilisation, ranger l'outil électrique hors de portée des enfants et ne laisser aucune personne l'utiliser si elle n'est pas familiarisée avec les outils électriques ou ces instructions.
Les outils électriques représentent un danger entre des mains inexpertes.

e) Entretien des outils électriques et les accessoires. Assurez-vous que les pièces en mouvement ne sont pas désalignées ou coincées, qu'aucune pièce n'est cassée ou que l'outil électrique n'a subi aucun dommage pouvant affecter son bon fonctionnement. Si l'outil électrique est endommagé, le faire réparer avant de le réutiliser.
De nombreux accidents sont dus à des outils mal entretenus.

f) Garder affûtés et propres les outils permettant de couper.

Un outil bien entretenu aux bords bien affûtés risquera moins de se coincer et sera plus facile à maîtriser.

g) Utiliser l'outil, les accessoires et les lames, etc., conformément à ces instructions, en tenant compte des conditions de travail et du travail à réaliser.

L'utilisation d'un outil électrique à des fins autres que celles prévues est potentiellement dangereuse.

h) Garder les poignées et les surfaces de préhension propres, sèches et exemptes d'huile et de graisse.

Les poignées et surfaces de préhension glissantes ne permettent pas de manipuler et de contrôler l'outil de manière sûre dans des situations inattendues.

5) Maintenance et entretien

a) Confier l'entretien de l'outil à un réparateur qualifié utilisant uniquement des pièces de rechange identiques.

Cela assurera le maintien de la sécurité de l'outil.

PRÉCAUTIONS

Maintenir les enfants et les personnes infirmes éloignés.

Lorsque les outils ne sont pas utilisés, ils doivent être rangés hors de portée des enfants et des personnes infirmes.

PRÉCAUTIONS POUR L'UTILISATION DE LA CISAILLE

1. Faire attention aux arêtes coupantes du panneau. La bordure de la plaque qui vient d'être coupée par la cisaille est très coupante. Faire attention de ne pas se blesser avec.
2. Commencer la découpe uniquement après que la lame a atteint la bonne vitesse de coupe. Après avoir mis sous tension, attendre jusqu'à ce que la lame atteigne la bonne vitesse de coupe puis commencer la coupe.
3. Faire attention au cordon d'alimentation. S'assurer que le cordon d'alimentation ne risque pas d'être touché ou coupé par la bordure coupante du panneau coupé.

SPECIFICATIONS

Tension (par zone)*		(110 V, 120 V, 127 V, 220 V, 230 V, 240 V) ~
Entrée		400 W*
Capacité de découpage	Plaque en acier doux (400N/mm ²)	1,6 mm
	Plaque d'acier inoxydable (600N/mm ²)	1,2 mm
	Plaque d'aluminium (200N/mm ²)	2,3 mm
Nombre de courses sans charge		4700 min ⁻¹
Poids (sans cordon)**		1,7 kg

* Assurez-vous de vérifier la plaque signalétique se trouvant sur le produit, car elle peut changer suivant les régions.

** Selon la procédure EPTA 01/2014

ACCESSOIRES STANDARD

- (1) Calibre d'épaisseur 1
 - (2) Clef à barre six pans..... 1
- Les accessoires standard sont sujets à changement sans préavis.

APPLICATIONS

- Pour la coupe de plaques d'acier, de laiton, de cuivre, d'aluminium, d'acier inoxydable, d'étain, et autres ainsi que pour le cuir et le fibro-ciment.

AVANT LA MISE EN MARCHÉ

- 1. Source de puissance**
 S'assurer que la source de puissance à utiliser correspond à la puissance indiquée sur la plaque signalétique du produit.
- 2. Interrupteur de puissance**
 S'assurer que l'interrupteur de puissance est en position **ARRÊT**. Si la fiche est branchée alors que l'interrupteur est sur **MARCHE**, l'outil démarre immédiatement et peut provoquer un grave accident.

3. Fil de rallonge

Lorsque la zone de travail est éloignée de la source de puissance, utiliser un fil de rallonge d'une épaisseur suffisante et d'une capacité nominale suffisante. Le fil de rallonge doit être aussi court que possible.

4. Réglage de l'écart horizontal entre les lames de découpe

Régler l'écart horizontal entre les lames de découpe (A dans la Fig. 2) à environ 1/10 ième de l'épaisseur de la plaque à découper en suivant les procédures suivantes. (Fig. 3)

- (1) Desserrer les boulons de fixation à tête hexagonale qui maintiennent la lame fixe. Desserrer l'écrou de blocage M4 et repousser légèrement les vis à fente M4.
- (2) A partir du calibre d'épaisseur fourni, en sélectionner un qui correspond à 1/10 de l'épaisseur du panneau à découper. L'épaisseur de chaque calibre est marquée dessus. Insérer le calibre entre les lames, puis serrer les boulons de fixation à tête hexagonale très légèrement. Ensuite, utiliser un tournevis pour serrer les vis boulonnées à fente M4 de façon à positionner la lame fixe jusqu'à ce qu'elle touche le calibre d'épaisseur.
- (3) Si l'espace entre les lames est plus grand que l'épaisseur du panneau à découper, il y aura quelques copeaux qu'il faudra nettoyer.
Si l'espace entre les lames est trop étroit, la vitesse de coupe sera affectée. Pour couper dans une ligne courbe, agrandir légèrement l'espace pour faciliter la coupe.
- (4) Après le réglage, serrer les écrous M4 fermement pour qu'ils ne se relâchent pas pendant le fonctionnement.
- (5) Serrer fermement les boulons de fixation à tête hexagonale qui tiennent la lame fixe.

COUPE

ATTENTION

- Ne pas essayer de couper des panneaux d'une épaisseur qui dépasse les possibilités de la cisaille. Faire de cette manière amènera une rupture prématurée de la cisaille.
- N'effectuer l'opération de coupe qu'après avoir fixé le panneau correctement.

Maintenez toujours fermement l'outil avec la main sur le boîtier (Fig.4)

Lors du découpage de panneaux fins, mettre l'appareil à l'horizontale comme montré dans la Fig. 4.

Pour faciliter un découpage doux de panneaux épais, si le trait de découpe dévie vers la gauche (Fig. 4), lever légèrement l'arrière de l'appareil. Si le trait de découpe dévie vers la droite, abaisser légèrement l'arrière de l'appareil.

REPLACEMENT DE LA LAME

La cisaille utilise des lames jetables. Chaque lame possède 8 bords de coupe comme montré dans la Fig. 5. Après avoir coupé, avec un bord, 400 m de panneau, les performances de coupe tombent. Dans ce cas, tourner la lame dans une autre direction pour utiliser un autre bord de coupe. Une fois les 8 bords de coupe utilisés et usés, remplacer la lame.

ENTRETIEN ET CONTROLE

1. Inspection de la lame

L'utilisation d'une lame usée ou émoussée amènera une surcharge du moteur et affectera les performances de travail. Donc, utiliser toujours une lame bien coupante.

2. Contrôle des vis de montage

Vérifier régulièrement les vis de montage et s'assurer qu'elles sont correctement serrées. Resserrer immédiatement toute vis desserrée. Sinon, il y a danger sérieux.

3. Entretien du moteur

Le bobinage de l'ensemble moteur est le "coeur" même de l'outil électro-portatif. Veiller soigneusement à ce que ce bobinage ne soit pas endommagé et/ou mouillé par de l'huile ou de l'eau.

4. Contrôle des balais en carbone (Fig. 6)

Le moteur utilise des balais en carbone qui sont des pièces qui s'usent. Comme un balai en carbone trop usé peut détériorer le moteur, remplacer les balais en carbone par des neufs ayant les mêmes numéros ① que ceux illustrés sur la figure lorsqu'ils sont usés ou près de la « limite d'usure » ②. En outre, toujours tenir les balais propres et veiller à ce qu'ils coulissent librement dans les supports.

5. Remplacement d'un balai en carbone

Démonter le capuchon du balai avec un tournevis à petite tête. Le balai en carbone peut se retirer facilement.

6. Remplacement du cordon d'alimentation

Si le cordon d'alimentation de l'outil est endommagé, l'outil doit être renvoyé au service après-vente HiKOKI agréé pour remplacer le cordon.

7. Entretien

Consulter un centre de service après-vente agréé en cas de défaillance de l'outil électrique.

ATTENTION

Lors de l'utilisation et de l'entretien d'un outil électrique, respecter les règlements et les normes de sécurité en vigueur dans le pays en question.

GARANTIE

Nous garantissons que l'ensemble des Outils électriques HiKOKI sont conformes aux réglementations spécifiques statutaires/nationales. Cette garantie ne couvre pas les défauts ni les dommages inhérents à une mauvaise utilisation, une utilisation abusive ou l'usure et les dommages normaux. En cas de réclamation, veuillez envoyer l'outil électrique, en l'état, accompagné du CERTIFICAT DE GARANTIE qui se trouve à la fin du Mode d'emploi, dans un service d'entretien autorisé.

NOTE

Par suite du programme permanent de recherche et de développement HiKOKI, ces spécifications peuvent faire l'objet de modifications sans avis préalable.

Au sujet du bruit et des vibrations

Les valeurs mesurées ont été déterminées en fonction de la norme EN62841 et déclarées conforme à ISO 4871.

Niveau de puissance sonore pondérée A: 89 dB (A)
Niveau de pression acoustique pondérée A: 78 dB (A)
Incertitude KpA: 3 dB (A)

Porter des protections anti-bruit.

Valeurs totales des vibration (somme vectorielle triaxiale) déterminée conformément à EN62841.

Découpe d'une feuille de métal:

Valeur d'émission de vibration $a_h = 5,6 \text{ m/s}^2$

Incertitude K = $1,5 \text{ m/s}^2$

AVERTISSEMENT

- La valeur d'émission de vibration en fonctionnement de l'outil électrique peut être différente de la valeur déclarée, en fonction des utilisations de l'outil.
- Pour identifier les mesures de protection de l'utilisateur fondées sur une estimation de l'exposition en conditions d'utilisation (tenant compte de tous les aspects du cycle d'utilisation, tels que les moments où l'outil est mis hors tension ou lorsqu'il tourne à vide en plus des temps de déclenchements).

AVVERTIMENTI GENERALI DI SICUREZZA SUGLI UTENSILI ELETTRICI

⚠ AVVERTENZA

Leggere tutti gli avvertimenti di sicurezza, le istruzioni e le specifiche in dotazione con il presente utensile elettrico.

La mancata osservanza di tutte le istruzioni elencate di seguito può provocare scosse elettriche, incendio e/o lesioni gravi.

Salvare tutti gli avvertimenti e le istruzioni per riferimenti futuri.

Il termine "elettroutensili" riportato nelle avvertenze si riferisce agli elettroutensili azionati con alimentazione di rete (via cavi) o a batterie (senza cavi).

1) Sicurezza dell'area operativa

a) Mantenere l'area operativa pulita e ordinata.

Arete operative sporche o disordinate possono favorire gli infortuni.

b) Non utilizzare gli elettroutensili in atmosfere esplosive, ad es. in presenza di liquidi, gas o polveri infiammabili.

Gli elettroutensili generano delle scintille che potrebbero accendere la polvere o i fumi.

c) Tenere lontani bambini e astanti durante l'utilizzo degli elettroutensili.

Qualsiasi distrazione può essere causa di perdita di controllo.

2) Sicurezza elettrica

a) Le spine degli elettroutensili devono essere idonee alle prese disponibili. Non modificare mai le prese. Con gli elettroutensili a massa (messi a terra), non utilizzare alcun adattatore.

L'utilizzo di spine intatte e corrispondenti alle prese disponibili ridurrà il rischio di scosse elettriche.

b) Evitare qualsiasi contatto con le superfici a massa o a terra, quali tubi, radiatori, fornelli e frigoriferi.

In caso di messa a terra o massa del corpo, sussiste un maggior rischio di scosse elettriche.

c) Non esporre gli elettroutensili alla pioggia o all'umidità.

La penetrazione di acqua negli elettroutensili aumenterà il rischio di scosse elettriche.

d) Non tirare il cavo. Non utilizzarlo per il trasporto, o per tirare o scolligare l'elettroutensile.

Tenere il cavo lontano da fonti di calore, oli, bordi appuntiti o parti in movimento.

Cavi danneggiati o attorcigliati possono aumentare il rischio di scosse elettriche.

e) Durante l'uso degli elettroutensili all'esterno, utilizzare una prolunga idonea per usi esterni.

L'utilizzo di cavi per esterno riduce il rischio di scosse elettriche.

f) Se è impossibile evitare l'impiego di un elettroutensile in un luogo umido, utilizzare l'alimentazione protetta da un dispositivo a corrente residua (RCD).

L'uso di un RCD riduce il rischio di scosse elettriche.

3) Sicurezza personale

a) Durante l'uso degli elettroutensili, state all'erta, verificate ciò che state eseguendo e adottate sempre il buon senso.

Non utilizzate gli elettroutensili qualora siate stanchi, sotto l'influenza di farmaci, alcol o cure mediche.

Anche un attimo di disattenzione durante l'uso degli elettroutensili potrebbe essere causa di gravi lesioni personali.

b) Indossate l'attrezzatura di protezione personale. Indossate sempre le protezioni oculari.

L'attrezzatura protettiva, quali maschera facciale, calzature di sicurezza antiscivolo, caschi o protezioni uditive, utilizzata nelle condizioni appropriate, ridurrà il rischio di lesioni personali.

c) Impedite le accensioni involontarie. Prima del collegamento a una sorgente di alimentazione e/o pacco batteria e prima di raccogliere o trasportare l'utensile, verificate che l'interruttore sia posizionato su OFF.

Il trasporto degli elettroutensili tenendo le dita sull'interruttore o l'attivazione elettrica degli utensili che hanno l'interruttore su ON, implica il rischio di incidenti.

d) Prima di attivare l'elettroutensile, rimuovete qualsiasi chiave di regolazione.

Lasciando la chiave in un componente in rotazione dell'elettroutensile, sussiste il rischio di lesioni personali.

e) Mantenersi in equilibrio. Mantenersi sempre su due piedi, in equilibrio stabile.

Ciò consente di controllare al meglio l'elettroutensile in caso di situazioni impreviste.

f) Vestirsi in modo adeguato. Non indossare abiti larghi o gioielli. Tenere i capelli e gli abiti lontani dalle parti in movimento.

Abiti allentati, gioielli e capelli lunghi potrebbero impigliarsi nelle parti in movimento.

g) In caso di dispositivi provvisti di collegamento ad apparecchiature di rimozione e raccolta polveri, verificare che queste siano collegate e utilizzate in modo adeguato.

L'utilizzo della raccolta della polvere può ridurre i rischi connessi alle polveri.

h) Non lasciare che la familiarità acquisita con l'uso frequente di strumenti consenta di diventare troppo sicuri di sé e ignorare i principi di sicurezza dello strumento.

Un'azione disattenta può causare gravi lesioni in una frazione di secondo.

4) Utilizzo e manutenzione degli elettroutensili

a) Non utilizzare elettroutensili non idonei. Utilizzare l'elettroutensile idoneo alla propria applicazione.

Utilizzando l'elettroutensile corretto, si garantirà un'esecuzione migliore e più sicura del lavoro, alla velocità di progetto.

b) Non utilizzare l'elettroutensile qualora non sia possibile accenderlo/spegnere tramite l'interruttore.

È pericoloso utilizzare elettroutensili che non possano essere azionati dall'interruttore. Provvedere alla relativa riparazione.

c) Prima di effettuare qualsiasi regolazione, sostituire gli accessori o riporre gli utensili elettrici, scollegare la spina dalla presa elettrica e/o rimuovere il pacco batteria, se staccabile, dall'utensile elettrico.

Queste misure di sicurezza preventive riducono il rischio di avvio involontario dell'elettroutensile.

d) Depositare gli elettrotensili non utilizzati lontano dalla portata dei bambini ed evitare che persone non esperte di elettrotensili o non a conoscenza di quanto riportato sulle presenti istruzioni azionino l'elettrotensile.

È pericoloso consentire che utenti non esperti utilizzino gli elettrotensili.

e) **Manutenzione di utensili elettrici e accessori.** Verificare che non vi siano componenti in movimento disallineati o bloccati, componenti rotti o altre condizioni che potrebbero influenzare negativamente il funzionamento dell'utensile elettrico. In caso di guasti, provvedere alla riparazione dell'elettrotensile prima di riutilizzarlo.

Molti incidenti sono causati da una scarsa manutenzione.

f) **Mantenere gli strumenti di taglio affilati e puliti.** *Gli strumenti di taglio in condizioni di manutenzione adeguata, con bordi affilati, sono meno soggetti al bloccaggio e sono più facilmente controllabili.*

g) **Utilizzare l'elettrotensile, gli accessori, le punte, ecc. in conformità a quanto riportato nelle presenti istruzioni, tenendo in debita considerazione le condizioni operative e il tipo di lavoro da eseguire.**

L'uso dell'utensile elettrico per operazioni diverse da quelle previste potrebbe causare una situazione pericolosa.

h) **Tenere le maniglie e le superfici di presa asciutte, pulite e libere da olio e grasso.**

Maniglie e superfici di presa scivolose non consentono una movimentazione e un controllo sicuri dell'utensile in situazioni impreviste.

5) Assistenza

a) **Affidate le riparazioni dell'elettrotensile a persone qualificate che utilizzino solamente parti di ricambio identiche.**

Ciò garantirà il mantenimento della sicurezza dell'elettrotensile.

PRECAUZIONI

Tenere lontano dalla portata di bambini e invalidi.

Quando non utilizzati, gli strumenti dovranno essere depositi lontano dalla portata di bambini e invalidi.

PRECAUZIONI PER L'USO DELLA CESOIA

1. Fare attenzione ai bordi taglienti del pannello. I bordi della lastra appena tagliata dalla cesoia sono molto taglienti. Fare attenzione a non ferirsi con i bordi taglienti.
2. Iniziare a tagliare solo dopo che la lama ha raggiunto una velocità sufficiente. Dopo aver acceso la macchina, aspettare finché la lama raggiunge una velocità adeguata e quindi cominciare a tagliare.
3. Fare attenzione al cavo di alimentazione. Assicurarsi che il cavo di alimentazione non sia graffiato o tagliato dal bordo tagliente del pannello tagliato.

CARATTERISTICHE

Tensione (per zona)*		(110 V, 120 V, 127 V, 220 V, 230 V, 240 V) ~
Ingresso		400 W*
Capacità di taglio	Piastra di acciaio tenero (400N/mm ²)	1,6 mm
	Placche di acciaio inossidabile (600N/mm ²)	1,2 mm
	Piastre di alluminio (200N/mm ²)	2,3 mm
Numero di corse senza carico		4700 min ⁻¹
Peso (escluso cavo)**		1,7 kg

* Accertatevi di aver controllato bene la piastrina perché essa varia da zona a zona.

** Secondo la Procedura EPTA 01/2014

ACCESSORI STANDARD

- (1) Calibro di spessore 1
 (2) Chiave maschia esagonale 1
 Gli accessori standard possono essere modificati senza preavviso.

APPLICAZIONI

- Per tagliare lastre di acciaio, di ottone, di rame, di alluminio, di acciaio inossidabile, di latta e altri materiali metallici, e inoltre cuoio e pannello di fibre.

PRIMA DELL'USO

1. Alimentazione

Assicurarsi che la rete di alimentazione che si vuole usare sia compatibile con le caratteristiche relative all'alimentazione di corrente specificate nella piastrina dell'apparecchio.

2. Interruttore di corrente

Mettere l'interruttore in posizione SPENTO. Se la spina è infilata in una presa mentre l'interruttore è ACCESO, l'utensile elettrico si mette immediatamente in moto, facilitando il verificarsi di incidenti gravi.

3. Prolunga del cavo

Quando l'ambiente di lavoro è lontano da una presa di corrente, usare una prolunga del cavo di sufficiente spessore e di prestazione adeguata. La prolunga deve essere più corta possibile.

4. Regolazione dello spazio orizzontale tra le lame della cesoia

Regolare lo spazio orizzontale tra le lame della cesoia (A nella Fig. 2) a circa 1/10 dello spessore della lastra di acciaio da tagliare, secondo il seguente procedimento. (Fig. 3)

- (1) Allentare i bulloni a incavo esagonale che assicurano la lama ferma. Allentare il dado di bloccaggio M4 e spingere indietro leggermente le viti di montaggio a fessura M4.
- (2) Scegliere uno dei calibri di spessore in dotazione, che corrisponda a 1/10 dello spessore del pannello da tagliare. Lo spessore di ciascun calibro di spessore è contrassegnato sul calibro stesso. Inserire il calibro tra le lame e quindi stringere molto leggermente i bulloni a incavo esagonale. Poi usare un cacciavite per girare le viti di montaggio a fessura M4 in modo che la lama ferma si muova fino a toccare il calibro di spessore.
- (3) Se lo spazio tra le lame è più largo dello spessore del pannello da tagliare ci saranno arricciature e non si riesce a ottenere un taglio pulito.
Se lo spazio tra le lame è troppo stretto la velocità di taglio ne viene influenzata. Per tagliare una linea curva, allargare un poco lo spazio rende il taglio più facile.
- (4) Dopo la regolazione stringere saldamente i dadi M4 in modo che non si allentino durante il funzionamento.
- (5) Stringere saldamente i bulloni a incavo esagonale che assicurano la lama ferma.

TAGLIO

ATTENZIONE

- Non tentare di tagliare pannelli di spessore al di là delle capacità della cesoia. Questo può provocare una rottura prematura della cesoia.
- Eseguire l'operazione di taglio solo dopo aver fissato sicuramente il pannello.

Tenere sempre l'utensile saldamente con una mano sull'alloggiamento (Fig. 4)

Quando si tagliano pannelli sottili, tenere l'attrezzo orizzontale, come illustrato nella Fig. 4.

Per facilitare il taglio di pannelli spessi, se la parte tagliata sbanda verso sinistra (Fig. 4), sollevare leggermente il retro dell'attrezzo. Se invece la parte tagliata sbanda verso destra, abbassare leggermente il retro dell'attrezzo.

SOSTITUZIONE DELLA LAMA

La cesoia usa lame sostituibili. Ogni lama ha 8 lame, come mostrato nella Fig. 5. Quando una delle 8 lame ha tagliato 400 m di pannello le sue prestazioni cominciano a peggiorare. In questo caso girare la lama in un'altra direzione per usare un'altra delle 8 lame. Quando tutte le 8 lame sono state usate e consumate, sostituire la lama.

MANUTENZIONE E CONTROLLO

1. Controllo della lama

L'uso di una lama consumata o sbeccata sovraccarica il motore e influenza la prestazione: usare quindi sempre una lama in buono stato.

2. Controllo delle viti di tenuta

Controllare regolarmente tutte le viti di tenuta e assicurarsi che siano esclusivamente serrate. Nel caso che una di queste viti dovesse allentarsi riserrarla immediatamente. Se si non ottiene di farlo, si può causare un grave incidente.

3. Manutenzione del motore

L'avvolgimento del motore il vero e proprio "cuore" degli attezzi elettrici. Fare attenzione a non danneggiare l'avvolgimento e/o non bagnarlo con olio o acqua.

4. Controllo delle spazzole di carbone (Fig. 6)

Il motore impiega spazzole di carbone che sono materiali di consumo. Poiché una spazzola di carbone troppo usurata può creare guasti al motore, sostituire le spazzole di carbone con spazzole nuove dello stesso n. di spazzola di carbone ① indicato nella figura quando diventa usurata fino al "limite di usura" ② o quasi. Tenere inoltre sempre pulite le spazzole di carbone e fare in modo che esse scorrano liberamente nell'interno del portaspazzola.

5. Sostituzione di una spazzola di carbone

Togliere la capsula della spazzola con un cacciavite a taglio. La spazzola può così essere agevolmente rimossa.

6. Sostituzione del cavo di alimentazione

Se il cavo di alimentazione dell'Utensile è danneggiato, l'Utensile deve essere restituito a un Centro di Assistenza Autorizzato HiKOKI per la sostituzione del cavo.

7. Manutenzione

Consultare un agente di assistenza autorizzato in caso di guasto dell'elettrotensile.

ATTENZIONE

Nell'uso e nella manutenzione degli utensili elettrici devono essere osservate le normative di sicurezza e i criteri prescritti in ciascun paese.

GARANZIA

Garantiamo gli Utensili Elettrici HiKOKI in conformità alle specifiche normative imposte dalla legge e dai paesi. Questa garanzia non copre difetti o danni dovuti a uso erroneo, abuso o normale usura. In caso di lamentele, si prega di inviare l'Utensile Elettrico, non smontato, insieme al CERTIFICATO DI GARANZIA che si trova al termine di queste Istruzioni per l'uso, ad un Centro di Assistenza Autorizzato HiKOKI.

NOTA

A causa del continuo programma di ricerca e sviluppo della HiKOKI, le caratteristiche riportate in questo foglio sono soggette a cambiamenti senza preventiva comunicazione.

Informazioni riguardanti i rumori trasmessi dall'aria e le vibrazioni

I valori misurati sono stati determinati in conformità a EN62841 e descritti in conformità alla normativa ISO 4871.

Livello misurato di potenza sonora pesato A: 89 dB (A)

Livello misurato di pressione sonora pesato A: 78 dB (A)

KpA incertezza: 3 dB (A)

Indossare i dispositivi di protezione acustica.

Valori totali di vibrazione (somma vettori triass.) determinati secondo la norma EN62841.

Taglio di lamine metalliche:

Valore di emissione vibrazioni $a_h = 5,6 \text{ m/s}^2$

Incertezza K = 1,5 m/s²

AVVERTENZA

- Il valore di emissione vibrazioni durante l'uso effettivo dell'utensile può essere diverso dal valore dichiarato in base alle modalità di utilizzo dell'utensile stesso.
- Per individuare le misure di sicurezza per la protezione dell'operatore basate su stima dell'esposizione nelle effettive condizioni di utilizzo (prendendo in considerazione tutte le parti del ciclo di funzionamento come i tempi in cui l'utensile resta spento e quando funziona senza essere utilizzato in aggiunta al tempo di avvio).

ALGEMENE VEILIGHEIDSWAARSCHUWINGEN VOOR ELEKTRISCH GEREEDSCHAP

⚠ WAARSCHUWING

Lees alle veiligheidswaarschuwingen, instructies, illustraties en specificaties die met dit elektrisch gereedschap worden meegeleverd.

Niet opvolgen van de waarschuwingen en instructies kan resulteren in een elektrische schok, brand en/of ernstig letsel.

Bewaar alle waarschuwingen en aanwijzingen voor eventuele naslag in de toekomst.

De term „elektrisch gereedschap” heeft zowel betrekking op elektrisch gereedschap dat via de netvoeding van stroom wordt voorzien als gereedschap dat via een accu (snoerloos) van stroom wordt voorzien.

1) Veiligheid van de werkplek

a) Zorg voor een schone en goed verlichte werkplek.

Een rommelige of donkere werkplek verhoogt de kans op ongelukken.

b) Gebruik het elektrisch gereedschap niet in een omgeving met ontvlambare of explosieve vloeistoffen, gassen of stof.

Elektrisch gereedschap kan vonken afgeven. Deze vonkjes kunnen stofdeeltjes of gassen doen ontbranden.

c) Houd kinderen en andere omstanders tijdens het gebruik van elektrisch gereedschap uit de buurt.

Afleidingen kunnen gevaarlijk zijn.

2) Elektrische veiligheid

a) De stekker van het elektrisch gereedschap moet geschikt zijn voor aansluiting op het stopcontact.

De stekker mag op geen enkele manier gemodificeerd worden. Gebruik geen verloopstekker met geaard elektrisch gereedschap.

Deugdelijke stekkers en geschikte stopcontacten verminderen het risico op een elektrische schok.

b) Vermijd lichamelijk contact met gearde oppervlakken zoals leidingen, radiatoren, fornuizen en koelkasten.

Wanneer uw lichaam geaard is, loopt u een groter risico op een elektrische schok.

c) Stel het elektrisch gereedschap niet bloot aan regen of vochtige omstandigheden.

Het risico op een elektrische schok wordt vergroot wanneer er water in het elektrische gereedschap terechtkomt.

d) Behandel het snoer voorzichtig. Gebruik het snoer niet om het elektrisch gereedschap aan te dragen of mee te slepen en gebruik het snoer niet om de stekker uit het stopcontact te trekken.

Houd het snoer uit de buurt van warmtebronnen, olie, scherpe randen of bewegende onderdelen. Een beschadigd of verward snoer verhoogt het risico op een elektrische schok.

e) Gebruik buitenshuis een verlengsnoer dat specifiek geschikt is voor het gebruik buiten.

Het gebruik van een snoer dat specifiek geschikt is voor gebruik buitenshuis vermindert het risico op een elektrische schok.

f) Als het elektrisch gereedschap in een vochtige omgeving gebruikt moet worden, dient een voeding met aardlekschakelaar te worden gebruikt.

Gebruik van een aardlekschakelaar vermindert de kans op een elektrische schok.

3) Persoonlijke veiligheid

a) Blijf waakzaam, let voortdurend op uw werk en gebruik uw gezond verstand wanneer u elektrisch gereedschap gebruikt.

Gebruik geen elektrisch gereedschap wanneer u moe bent of onder invloed van drugs, alcohol of medicijnen.

Eén moment van onoplettendheid kan in ernstig lichamelijk letsel resulteren.

b) Gebruik persoonlijke beschermingsmiddelen. Draag altijd oogbescherming.

Beschermingsmiddelen zoals een stofmasker, anti-slip veiligheidsschoenen, een helm of gehoorbescherming, gebruikt voor gepaste omstandigheden, verminderen het risico op lichamelijk letsel.

c) Voorkom dat het gereedschap per ongeluk kan starten. Controleer of de schakelaar in de uit-stand staat voordat u de voeding en/of de accu aansluit, het gereedschap oppakt of gaat dragen.

Zorg ervoor dat u tijdens het verplaatsen van het elektrisch gereedschap uw vingers uit de buurt van de schakelaar houdt en sluit de stroombron niet aan terwijl de schakelaar op aan staat om ongelukken te vermijden.

d) Verwijder sleutels en moersleutels uit het gereedschap voordat u het elektrisch gereedschap aanzet.

Een (moer-)sleutel die op een bewegend onderdeel van het elektrisch gereedschap bevestigd is kan in lichamelijk letsel resulteren.

e) Reik niet te ver. Zorg ervoor dat u te allen tijde stevig staat en uw evenwicht behoudt.

Op deze manier heeft u tijdens een onverwachte situatie meer controle over het elektrisch gereedschap.

f) Draag geschikte kleding. Draag geen loszittende kleding of sieraden. Houdt uw kleding en haar uit de buurt van bewegende onderdelen.

Loszittende kleding, sieraden en lang haar kunnen in de bewegende onderdelen verstrikt raken.

g) Indien het elektrisch gereedschap van een aansluiting voor stofafzuiging is voorzien, dan dient u ervoor te zorgen dat de stofafzuiging aangesloten en op de juiste manier gebruikt wordt.

Het gebruik van stofafzuiging vermindert eventuele stofgerelateerde risico's.

h) Laat bekendheid opgedaan bij veelvuldig gebruik van gereedschap u niet zelfgenoegzaam worden waardoor u veiligheidsprincipes van het gereedschap negeert.

Een onzorgvuldige actie kan ernstig letsel veroorzaken binnen een fractie van een seconde.

4) Bediening en onderhoud van elektrisch gereedschap

a) Het elektrisch gereedschap mag niet geforceerd worden. Gebruik het juiste gereedschap voor het karwei.

U kunt de klus beter en veiliger uitvoeren wanneer u het juiste elektrische gereedschap gebruikt.

- b) **Gebruik het elektrisch gereedschap niet als de schakelaar niet goed werkt.**
Elektrisch gereedschap dat niet via de schakelaar bediend kan worden is gevaarlijk en moet onmiddellijk gerepareerd worden.
- c) **Haal de stekker uit het stopcontact en/of verwijder de accu, als deze losgemaakt kan worden, van het elektrische gereedschap voordat u afstellingen verricht, accessoires verwisselt of voordat u het elektrische gereedschap opbergt.**
Dergelijke preventieve veiligheidsmaatregelen verminderen het risico dat het elektrisch gereedschap per ongeluk opstart.
- d) **Berg elektrisch gereedschap buiten het bereik van kinderen op en sta niet toe dat personen die niet bekend zijn met het juiste gebruik van het gereedschap of deze voorschriften dit elektrisch gereedschap gebruiken.**
Elektrisch gereedschap is gevaarlijk in onbevoegde handen.
- e) **Verzorg het elektrische gereedschap en accessoires. Controleer het gereedschap op een foutieve uitlijning, vastgelopen of defecte bewegende onderdelen en andere problemen die van invloed kunnen zijn op de juiste werking van het gereedschap. Indien het gereedschap defect of beschadigd is moet het gerepareerd worden voordat u het gereedschap opnieuw gebruikt.**
Slecht onderhouden elektrisch gereedschap is verantwoordelijk voor een groot aantal doe-het-zelf ongelukken.
- f) **Houd snijwerktuigen scherp en schoon.**
Goed onderhouden snijwerktuigen met scherpe snijranden lopen minder snel vast en zijn gemakkelijker in het gebruik.
- g) **Elektrisch gereedschap, toebehoren, bits enz. moeten in overeenstemming met deze instructies worden gebruikt, waarbij de werkomstandigheden en het werk dat gedaan moet worden in overweging moeten worden genomen.**
Gebruik van het elektrisch gereedschap voor andere doeleinden dan waarvoor het is bedoeld, kan resulteren in een gevaarlijke situatie.
- h) **Houd de handvat- en greepoppervlakken droog, schoon en vrij van olie en vet.**
Glibberige handvat- en greepoppervlakken zorgen voor onveilig gebruik en onveilige bediening van het gereedschap in onverwachte situaties.
- 5) **Onderhoud**
- a) **Het gereedschap mag uitsluitend door bevoegd onderhoudspersoneel worden onderhouden en er mag daarbij uitsluitend gebruik gemaakt worden van identieke vervangingsonderdelen.**
Hierdoor kunt u er op rekenen dat het elektrisch gereedschap veilig blijft.

VOORZORGSMATREGELEN

Houd kinderen en kwetsbare personen op een afstand.

Het gereedschap moet na gebruik buiten het bereik van kinderen en andere kwetsbare personen worden opgeborgen.

VOORZORGSMATREGELEN BETREFFENDE HET GEBRUIK VAN DE PLATENSCHAAR

- Voorzichtig met de scherpe kanten van de plaat.
 De kant van de plaat die juist met de platenschaar geknipt is, is bijzonder scherp. Zorg ervoor dat u zich niet snijdt aan de scherpe kant.
- Begin pas met het snijden of knippen nadat het schaarblad de juiste snelheid heeft bereikt.
 Nadat het apparaat met de netschakelaar is ingeschakeld, dient u eventjes te wachten totdat het schaarblad de juist snelheid heeft bereikt. Begin dan met snijden of knippen.
- Houd het netsnoer in goede staat.
 Zorg ervoor dat het netsnoer niet langs de scherpe kant van de plaat of het apparaat schuurt of dat in het netsnoer gesneden wordt.

TECHNISCHE GEGEVENS

Voltage (verschillend van gebied tot gebied)*		(110 V, 120 V, 127 V, 220 V, 230 V, 240 V) ~
Opgenomen vermogen		400 W*
Snijcapaciteit	Vloeistalen platen (400N/mm ²)	1,6 mm
	Roestvrij staal (600N/mm ²)	1,2 mm
	Aluminium platen (200N/mm ²)	2,3 mm
Aantal slagen onbelast		4700 min ⁻¹
Gewicht (zonder snoer)**		1,7 kg

* Controleer het naamplaatje op het apparaat daar het apparaat afhankelijk van het gebied waar het verkocht wordt gewijzigd kan worden.

** Volgens EPTA-procedure 01/2014

STANDAARD TOEBEHOREN

- (1) Voelermaatje1
 - (2) Inbusleutel1
- De standaard toebehoren kunnen zonder aankondiging op ieder moment worden veranderd.

TOEPASSINGEN

- Voor het knippen van staalplaten, messingplaten, koperen platen, aluminium platen, roestvrij staalplaten, tinnen platen en andere metalen platen. Tevens voor het knippen van leer en platen van vezelmateriaal.

VOOR BEGIN VAN WERK

1. Netspanning

Kontrolleren of de netspanning overeenkomt met de opgave op het naamplaatje.

2. Netschakelaar

Kontrolleren of de netschakelaar op "UIT" staat. Wanneer de stekker op het net aangesloten is, terwijl de schakelaar op "AAN" staat, begint het gereedschap onmiddellijk te draaien, hetwelk ernstig gevaar betekent.

3. Verlengsnoer

Wanneer het werkterrein niet in de buurt van een stopcontact ligt, dan moet men gebruik maken van een verlengsnoer, dat voldoende dwarsprofiel en voldoende nominaal vermogen heeft. Het verlengsnoer moet zo kort mogelijk gehouden worden.

4. Instellen van de horizontale opening tussen de schaarbladen

Stel de horizontale opening tussen de schaarbladen (A in **Afb. 2**) in op ongeveer 1/10 van de staalplaat die u wilt knippen, waarbij u te werk gaat volgens de onderstaande aanwijzingen. (**Afb. 3**)

- (1) Draai de zeskant-inbusbouten, die de nietbewegende schaarbladen op hun plaats houden, vast. Draai de M4 vergrendelmoer los en duw de normale M4 schroeven enigszins terug.
- (2) Kies uit de bijgeleverde voelermaatjes er een die 1/10 is van de dikte van de te knippen staalplaat. De meetdikte van elk voelermaatje is op het voelermaatje aangegeven. Steek het voelermaatje tussen de schaarbladen en draai dan de zeskant-inbusbouten enigszins vast. Vervolgens gebruikt u een schroevendraaier om de normale M4 schroeven zo in te stellen dat het niet-beweegbare schaarblad in aanraking komt met het voelermaatje.
- (3) Als de ruimte tussen de schaarbladen groter is dan de dikte van de te knippen plaat, zullen er bramen aan het snijvlak van de plaat komen. Als de ruimte tussen de schaarbladen te klein is, wordt de snelheid waarmee geknipt wordt beïnvloed. Als bij het knippen in een gebogen lijn, de ruimte tussen de knipbladen wat groter wordt gemaakt, dan zal het knippen gemakkelijker verlopen.
- (4) Na de instelling draait u de M4 bouten stevig vast zodat deze tijdens het bedienen van het apparaat niet losraken.
- (5) Draai de zeshoek-inbusbouten stevig vast voor het bevestigen van het niet-bewegende schaarblad.

ZAGEN

LET OP

- Probeer nooit platen te knippen die dikker zijn dan de maximale knipdikte van de platenschaar. Doet u dit wel, dan zal dit tot het vroegtijdig breken van de platenschaar leiden.
- Begin pas met knippen nadat de plaat stevig bevestigd is.

Houd het gereedschap altijd stevig vast met de hand op de behuizing (**Afb. 4**)

Bij het snijden van dunne panelen, dient het apparaat horizontaal gehouden te worden, zoals in **Afb. 4** getoond wordt.

Voor gelijkmatig snijden van dikke panelen dient u het achterste gedeelte van het apparaat enigszins omhoog te houden wanneer u naar links snijdt (**Afb. 4**) en voor het snijden naar rechts dient u het achterste gedeelte van het apparaat iets omiaag houden.

VERVANGEN VAN HET SCHAARBLAD

Voor de platenschaar worden vervangbare schaarbladen gebruikt. Elk schaarblad heeft 8 snijranden, zoals in **Afb. 5** getoond wordt. Nadat een snijrand gebruikt is voor het knippen van ongeveer 400 meter plaat, nemen de knipprestaties van het apparaat af. In een dergelijk geval dient u het schaarblad te keren zodat een andere snijrand gebruikt kan worden. Nadat alle 8 snijranden gebruikt en versleten zijn, dient u het schaarblad te vervangen.

ONDERHOUD EN INSPECTIE

1. Controleren van het schaarblad

Het gebruik van een versleten schaarblad of een blad met een hoekje eruit, zal een extreme belasting van de motor tot gevolg hebben en de prestaties van het apparaat negatief beïnvloeden. Daarom dient u altijd in goede conditie verkerende schaarbladen te gebruiken.

2. Inspectie van de bevestigingsschroef

Alle bevestigingsschroeven worden regelmatig geïnspecteerd en gecontroleerd of zij juist aangedraaid zijn. Wanneer één van de schroeven losraakt, dan moet deze onmiddellijk opnieuw aangedraaid worden. Gebeurt dat niet, dan kan dat tot aanzienlijke gevaren leiden.

3. Onderhoud van de motor

De motorwikkeling is het "hart" van het elektrische gereedschap. Er moet daarom bijzonder zorgvuldig op gelet worden, dat de wikkeling niet beschadigd en/of met olie of water bevochtigd wordt.

4. Inspectie van de koolborstels (**Afb. 6**)

Bij de motor zijn koolborstels gebruikt, die onderhevig zijn aan slijtage. Omdat een te ver versleten koolborstel kan leiden tot problemen met de motor, dient u de koolborstels te vervangen door nieuwe met hetzelfde koolborstelnummer ① zoals aangegeven op de afbeelding, wanneer de borstel tot aan of tot bij het "slijtagelimit" ② versleten is. Bovendien moeten de koolborstels altijd schoon zijn en zich in vrij de borstelhouders bewegen kunnen.

5. Het wisselen van de koolborstel

Men demonteert de borsteldekseel met een steeksleutel. Men kan de koolborstel dan gemakkelijk verwijderen.

6. Vervangen van het netsnoer

Als het netsnoer van het gereedschap is beschadigd, dient u het gereedschap te retourneren naar een erkend HiKOKI-servicecenter om het netsnoer te laten vervangen.

7. Onderhoud

Neem contact op met een erkende onderhoudsvertegenwoordiger in het geval van een storing aan het elektrisch gereedschap.

LET OP

Bij gebruik en onderhoud van elektrisch gereedschap dienen de in het land waar u zich bevindt geldende veiligheidsregelgeving en veiligheidsstandaarden strikt te worden opgevolgd.

GARANTIE

De garantie op het elektrisch gereedschap van HiKOKI is in overeenstemming met de wettelijke/landspecifieke richtlijnen. Deze garantie dekt geen defecten of schade als gevolg van foutief gebruik, misbruik of normale slijtage. In geval van klachten verzoeken wij u het elektrisch gereedschap samen met het GARANTIECERTIFICAAT dat u achterin deze handleiding aantreft naar een erkend servicecentrum van HiKOKI te sturen. Indien door de gebruiker de machine wordt gedemonteerd vervalt de aanspraak op garantie.

AAANTEKENING

Op grond van het voortdurende research- en ontwikkelingsprogramma van HiKOKI zijn veranderingen van de hierin genoemde technische opgaven voorbehouden.

Informatie betreffende luchtgeluid en trillingen

De gemeten waarden zijn verkregen overeenkomstig EN62841 en voldoen aan de eisen van ISO 4871.

Gemeten A-gewogen geluidsniveau: 89 dB (A)
 Gemeten A-gewogen geluidsdrukniveau: 78 dB (A)
 Onzekerheid KpA: 3 dB (A)

Draag gehoorbescherming.

Totale trillingswaarden (triax vector som) bepaald overeenkomstig EN62841.

Snijden van metaalbladen:
 Trillingsemisiewaarde $a_h = 5,6 \text{ m/s}^2$
 Onzekerheid K = $1,5 \text{ m/s}^2$

WAARSCHUWING

- De trillingsemisiewaarde tijdens het feitelijke gebruik van het elektrisch gereedschap kan afwijken van de opgegeven waarde afhankelijk van de manieren waarop het gereedschap wordt gebruikt.
- Neem kennis van de veiligheidsmaatregelen voor de bescherming van de operator welke gebaseerd zijn op een schatting van blootstelling onder feitelijke gebruiksomstandigheden (rekening houdend met alle onderdelen van de gebruikscyclus, zoals de tijd dat het gereedschap is uitgeschakeld en wanneer dit onbelast draait inclusief de triggertijd).

ADVERTENCIAS DE SEGURIDAD GENERAL DE LA HERRAMIENTA ELÉCTRICA

⚠ ADVERTENCIA

Lea todas las advertencias de seguridad, instrucciones, ilustraciones y especificaciones incluidas con esta herramienta.

Si no se siguen las instrucciones indicadas a continuación podría producirse una descarga eléctrica, un incendio o daños graves.

Guarde todas las advertencias e instrucciones para futura referencia.

El término "herramienta eléctrica" en las advertencias hace referencia a la herramienta eléctrica que funciona con la red de suministro (con cable) o a la herramienta eléctrica que funciona con pilas (sin cable).

1) Seguridad del área de trabajo

a) Mantenga la zona de trabajo limpia y bien iluminada.

Las zonas desordenadas u oscuras pueden provocar accidentes.

b) No utilice las herramientas eléctricas en entornos explosivos como, por ejemplo, en presencia de líquidos inflamables, gases o polvo.

Las herramientas eléctricas crean chispas que pueden inflamar el polvo o los gases.

c) Mantenga a los niños y transeúntes alejados cuando utilice una herramienta eléctrica.

Las distracciones pueden hacer que pierda el control.

2) Seguridad eléctrica

a) Los enchufes de las herramientas eléctricas tienen que ser adecuados a la toma de corriente.

No modifique el enchufe. No utilice enchufes adaptadores con herramientas eléctricas conectadas a tierra.

Si no se modifican los enchufes y se utilizan tomas de corriente adecuadas se reducirá el riesgo de descarga eléctrica.

b) Evite el contacto corporal con superficies conectadas a tierra como tuberías, radiadores y frigoríficos.

Hay mayor riesgo de descarga eléctrica si su cuerpo está en contacto con el suelo.

c) No exponga las herramientas eléctricas a la lluvia o a la humedad.

La entrada de agua en una herramienta eléctrica aumentará el riesgo de descarga eléctrica.

d) No utilice el cable incorrectamente. No utilice el cable para transportar, tirar de la herramienta eléctrica o desenchufarla.

Mantenga el cable alejado del calor, del aceite, de bordes afilados o piezas móviles.

Los cables dañados o enredados aumentan el riesgo de descarga eléctrica.

e) Cuando utilice una herramienta eléctrica al aire libre, utilice un cable prolongador adecuado para utilizarse al aire libre.

La utilización de un cable adecuado para usarse al aire libre reduce el riesgo de descarga eléctrica.

f) Si no se puede evitar el uso de una herramienta eléctrica en un lugar húmedo, utilice un suministro protegido mediante un dispositivo de corriente residual (RCD).

El uso de un RCD reduce el riesgo de descarga eléctrica.

3) Seguridad personal

a) Esté atento, preste atención a lo que hace y utilice el sentido común cuando utilice una herramienta eléctrica.

No utilice una herramienta eléctrica cuando esté cansado o esté bajo la influencia de drogas, alcohol o medicación.

Una distracción momentánea mientras utiliza herramientas eléctricas puede dar lugar a lesiones personales graves.

b) Utilice un equipo de protección personal. Utilice siempre una protección ocular.

El equipo de protección como máscara para el polvo, zapatos de seguridad antideslizantes, casco rígido o protección auditiva utilizado en las situaciones adecuadas reducirá las lesiones personales.

c) Evite un inicio involuntario. Asegúrese de que el interruptor esté en "off" antes de conectar la herramienta a una fuente de alimentación o batería, cogérlo o transportarla.

El transporte de herramientas eléctricas con el dedo en el interruptor o el encendido de herramientas eléctricas con el interruptor encendido puede provocar accidentes.

d) Retire las llaves de ajuste antes de encender la herramienta eléctrica.

Si se deja una llave en una pieza giratoria de la herramienta eléctrica podrían producirse lesiones personales.

e) No se extralimite. Mantenga un equilibrio adecuado en todo momento.

Esto permite un mayor control de la herramienta eléctrica en situaciones inesperadas.

f) Vístase adecuadamente. No lleve prendas sueltas o joyas. Mantenga el cabello y la ropa alejados de las partes móviles.

La ropa suelta, las joyas y el pelo largo pueden quedar atrapados en las piezas móviles.

g) Si se proporcionan dispositivos para la conexión de extracción de polvo e instalaciones de recogida, asegúrese de que estén conectados y se utilicen adecuadamente.

La utilización de un sistema de recogida de polvo puede reducir los riesgos relacionados con el polvo.

h) No deje que la familiaridad adquirida con el uso frecuente de herramientas le permitan caer en la complacencia e ignorar los principios de seguridad de la herramienta.

Una acción descuidada puede causar lesiones graves en una fracción de segundo.

4) Utilización y mantenimiento de las herramientas eléctricas

a) No fuerce la herramienta eléctrica. Utilice la herramienta eléctrica correcta para su aplicación.

La herramienta eléctrica correcta trabajará mejor y de forma más segura si se utiliza a la velocidad para la que fue diseñada.

b) No utilice la herramienta eléctrica si el interruptor no la enciende y apaga.

Las herramientas eléctricas que no pueden controlarse con el interruptor son peligrosas y deben repararse.

- c) **Desconecte el enchufe de la fuente eléctrica y/o retire la batería, si es extraíble, de la herramienta eléctrica antes de hacer ajustes, cambiar accesorios o almacenar herramientas eléctricas.**

Estas medidas de seguridad preventivas reducen el riesgo de que la herramienta eléctrica se ponga en marcha accidentalmente.

- d) **Guarde las herramientas eléctricas que no se utilicen fuera del alcance de los niños, y no permita que utilicen las herramientas eléctricas personas no familiarizadas con las mismas o con estas instrucciones.**

Las herramientas eléctricas son peligrosas si son utilizadas por usuarios sin formación.

- e) **Realice el mantenimiento de las herramientas eléctricas y accesorios. Compruebe si las piezas móviles están mal alineadas o unidas, si hay alguna pieza rota u otra condición que pudiera afectar al funcionamiento de las herramientas eléctricas. Si la herramienta eléctrica está dañada, llévela a reparar antes de utilizarla.**

Se producen muchos accidentes por no realizar un mantenimiento correcto de las herramientas eléctricas.

- f) **Mantenga las herramientas de corte afiladas y limpias.**

Las herramientas de corte correctamente mantenidas con los bordes de corte afilados son más fáciles de controlar, y existe menor riesgo de que se atasquen.

- g) **Utilice la herramienta eléctrica, los accesorios y las brocas de la herramienta, etc. de acuerdo con estas instrucciones, teniendo en cuenta las condiciones de trabajo y el trabajo que se va a realizar.**

La utilización de la herramienta eléctrica para operaciones diferentes a las previstas podría dar lugar a una situación peligrosa.

- h) **Mantenga los mangos y las superficies de agarre secas, limpias y libres de aceite y grasa.**

Los mangos y las superficies de agarre resbaladizos no permiten el manejo y el control seguros de la herramienta en situaciones inesperadas.

5) Revisión

- a) **Solicite a un experto cualificado que revise la herramienta eléctrica y que utilice solo piezas de repuesto idénticas.**

Esto garantizará el mantenimiento de la seguridad de la herramienta eléctrica.

PRECAUCIÓN

Mantenga a los niños y a las personas enfermas alejadas.

Cuando no se utilicen, las herramientas deben almacenarse fuera del alcance de los niños y de las personas enfermas.

PRECAUCIONES AL UTILIZAR LA CIZALLA

1. Tenga cuidado con los bordes agudos de las chapas. Los bordes de las chapas recién cortadas con las cizallas son muy agudos. Tenga cuidado de no herirse con tales bordes.
2. Comience a cortar solamente después de que la cuchilla adquiera la velocidad apropiada. Después de accionar el interruptor de alimentación, espere hasta que la cuchilla adquiera la velocidad apropiada, y después comience a cortar.
3. Tenga cuidado con el cable de alimentación. Asegúrese de que el cable de alimentación no pueda raerse ni cortarse con los bordes agudos de las chapas cortadas.

ESPECIFICACIONES

Tensión (por áreas)*		(110 V, 120 V, 127 V, 220 V, 230 V, 240 V) ~
Entrada		400 W*
Capacidad de corte	Placa de acero pobre en carbono (400N/mm ²)	1,6 mm
	Chapa de acero inoxidable (600N/mm ²)	1,2 mm
	Acero aluminio (200N/mm ²)	2,3 mm
No. de carreras sin carga		4700 min ⁻¹
Peso (sin cable)**		1,7 kg

* Verificar indefectiblemente los datos de la placa de características de la máquina, pues varían de acuerdo con el país de destino.

** Según EPTA-Procedimiento 01/2014

ACCESORIOS NORMALES

- (1) Calibrador de espesores.....1
 (2) Llave macho hexagonal1
 Los accesorios normales están sujetos a cambio sin previo aviso.

APLICACION

- Para cortar chapas de acero, bronce, cobre, aluminio, acero inoxidable, latón, y otras chapas metálicas, e incluso cuero y chapa de fibra de madera.

ANTES DE LA PUESTA EN MARCHA

1. Alimentación

Asegurarse de que la alimentación de red que ha de ser utilizada responda a las exigencias de corriente especificadas en la placa de características del producto.

2. Conmutador de alimentación

Asegurarse de que el conmutador de alimentación esté en la posición OFF (desconectado). Si la clavija está conectada en la caja del enchufe mientras el conmutador de alimentación está en posición ON (conectado) las herramientas eléctricas empezarán a trabajar inmediatamente, provocando un serio accidente.

3. Cable de prolongación

Cuando está alejada el área de trabajo de la red de alimentación, usar un cable de prolongación de un grosor y potencia nominal suficiente. El cable de prolongación debe ser mantenido lo más corto posible.

4. Ajuste de la holgura horizontal entre las cuchillas

Ajuste la holgura horizontal entre las cuchillas (A en Fig. 2) aproximadamente 1/10 parte del grosor de la chapa de acero que desea cortar, de acuerdo con los procedimientos siguientes. (Fig. 3)

- (1) Afloje los pernos de cabeza hueca hexagonal que sujetan la cuchilla fija. Afloje la contratuerca M4, y empuje ligeramente hacia atrás los tornillos de sujeción de cabeza ranurada M4.
- (2) De los calibradores de espesor suministrados, elija el que tenga 1/10 parte del grosor de la chapa que desea cortar. El espesor de cada calibrador está marcado en el mismo. Inserte el calibrador entre las cuchillas, y después apriete ligeramente los pernos de cabeza hueca hexagonal. A continuación, emplee un destornillador para girar los tornillos de sujeción de cabeza ranurada M4 hasta la posición en la que la cuchilla fija entre en contacto con el calibrador.
- (3) Si el espacio entre las cuchillas es mayor que el grosor de la chapa que desea cortar, se producirán rababas en vez de un corte limpio. Si el espacio es demasiado estrecho, la velocidad de corte se verá afectada. Para cortar en línea curva, si deja un espacio ligeramente mayor, el corte resultará más fácil.
- (4) Después del ajuste, apriete firmemente las tuercas M4 para que no se aflojen durante la operación.
- (5) Apriete firmemente los pernos de cabeza hueca hexagonal que sujetan la cuchilla fija.

CORTAR

PRECAUCIÓN

- No intente cortar chapas de grosor superior a la capacidad de las cizalla. Si lo hace, dañará las cizalla.
- Realice la operación de corte después de haber fijado con seguridad la chapa.

Siempre sujete la herramienta con firmeza con una mano en la carcasa (Fig. 4)

Cuando corte los paneles finos, nivele horizontalmente la unidad, como se muestra en la Fig. 4.

Para facilitar el corte de los paneles gruesos. Si el lado de corte queda hacia la izquierda (Fig. 4), levante ligeramente la parte posterior de la unidad. Y si el lado de corte queda hacia la derecha, levante ligeramente la parte posterior de la unidad.

REEMPLAZO DE LAS CUCHILLAS

Las cizalla emplean cuchillas no reutilizables. Cada cuchilla tiene 8 filos, como se muestra en la Fig. 5. Después de cortar 400 metros de chapa con un filo, el rendimiento de corte caerá. En tal caso, gire la cuchilla en otro sentido a fin de emplear otro filo. Después de haber empleado los 8 filos, reemplace la cuchilla.

MANTENIMIENTO E INSPECCION

1. Inspección de la cuchilla

El empleo de una cuchilla gastada o astillada hará que el motor tenga que soportar excesiva carga, y afectará el rendimiento del trabajo. Por lo tanto, emplee siempre cuchillas con buen filo.

2. Inspeccionar los tornillos de montaje

Regularmente inspeccionar todos los tornillos de montaje y asegurarse de que estén apretados firmemente. Si cualquier tornillo estuviera suelto, volver a apretarlo inmediatamente. El no hacer esto provocaría un riesgo serio.

3. Mantenimiento de motor

La unidad de bobinado del motor es el verdadero "corazón" de las herramientas eléctricas. Prestar el mayor cuidado a asegurarse de que el bobinado no se dañe y/o se humedezca con aceite o agua.

4. Inspección de escobillas de carbón (Fig. 6)

El motor emplea carbones de contacto que son partes consumibles. Dado que una escobilla excesivamente desgastada puede generar problemas de motor, cambie las escobillas de carbón por otras nuevas que presenten el mismo número de escobilla de carbón ① que se muestra en la figura cuando se hayan desgastado o estén cerca del "límite de desgaste" ②. Adicionalmente, mantener siempre los carbones de contacto limpios y asegurarse de que corran libremente dentro de los sujetadores de carbón.

5. Reemplazar el carbón de contacto

Quitar la cápsula de carbón con un destornillador con cabeza pequeña. El carbón de contacto se deja luego se quita fácilmente.

6. Sustitución del cable de alimentación

Si el cable de alimentación de la herramienta está dañado, deberá devolver la herramienta a un Centro de servicio autorizado de HiKOKI para que reemplacen el cable.

7. Mantenimiento

Póngase en contacto con un agente de servicio autorizado en caso de fallo de la herramienta eléctrica.

PRECAUCIÓN

En el manejo y el mantenimiento de las herramientas eléctricas, se deberán observar las normas y reglamentos vigentes en cada país.

GARANTÍA

Las herramientas motorizadas de HiKOKI incluye una garantía conforme al reglamento específico legal/nacional. Esta garantía no cubre los defectos o daños debidos al uso incorrecto, el abuso o el desgaste normal. En caso de reclamación, envíe la herramienta motorizada, sin desmontar y con el CERTIFICADO DE GARANTÍA que aparece al final de estas instrucciones de uso, al Centro de Servicio Autorizado de HiKOKI.

OBSERVACION

Debido al programa continuo de investigación y desarrollo de HiKOKI estas especificaciones están sujetas a cambio sin previo aviso.

Información sobre el ruido propagado por el aire y vibración

Los valores medidos se determinaron de acuerdo con EN62841 declararon de conformidad con ISO 4871.

Nivel de potencia auditiva ponderada A: 89 dB (A)

Nivel de presión auditiva ponderada A: 78 dB (A)

Duda KpA: 3 dB (A)

Utilice protecciones auriculares.

Valores totales de la vibración (suma de vectores triax.) determinados de acuerdo con EN62841.

Cortar plancha metálica:

Valor de emisión de la vibración $a_h = 5,6 \text{ m/s}^2$

Incertidumbre K = $1,5 \text{ m/s}^2$

ADVERTENCIA

- El valor de emisión de la vibración durante la utilización de la herramienta eléctrica puede ser diferente del valor declarado dependiendo de las formas de utilización de la herramienta.
- Para identificar las medidas seguras para proteger al operario basadas en una estimación de exposición en las condiciones reales de uso (teniendo en cuenta todas las partes del ciclo de funcionamiento como tiempos cuando la herramienta está apagada y cuando funciona lentamente además del tiempo de activación).

AVISOS GERAIS DE SEGURANÇA PARA A FERRAMENTA ELÉTRICA

⚠ AVISO

Leia todos os avisos de segurança, instruções, ilustrações e especificações fornecidas com esta ferramenta elétrica.

Se não seguir todas as instruções listadas abaixo, pode provocar um choque elétrico, incêndio e/ou ferimentos graves.

Guarde todos os avisos e instruções para referência futura.

O termo “ferramenta elétrica” em todos os avisos refere-se à sua ferramenta ligada à corrente (com fios) ou à ferramenta elétrica de bateria (sem fios).

1) Segurança da área de trabalho

- a) Mantenha a área de trabalho limpa e bem iluminada.

As áreas escuras ou cheias de material são propícias aos acidentes.

- b) Não trabalhe com ferramentas elétricas em ambientes explosivos, tais como na presença de líquidos inflamáveis, gases ou pó.

As ferramentas elétricas criam faíscas que podem incendiar o pó dos fumos.

- c) Mantenha as crianças e outras pessoas afastadas quando trabalhar com uma ferramenta elétrica.

As distrações podem fazer com que perca controle.

2) Segurança elétrica

- a) As fichas da ferramenta elétrica devem corresponder à tomada. Nunca modifique a ficha. Não utilize fichas adaptadoras com ferramentas elétricas ligadas à terra.

As fichas não modificadas e tomadas correspondentes reduzirão o risco de choques elétricos.

- b) Evite contacto corporal com superfícies ligadas à terra, tais como tubos, radiadores, máquinas e frigoríficos.

Existe um risco acrescido de choques elétricos se o seu corpo estiver ligado à terra.

- c) Não exponha ferramentas elétricas à chuva ou condições de humidade.

A entrada de água numa ferramenta elétrica aumentará o risco de choques elétricos.

- d) Não abuse do fio. Nunca utilize o fio para transportar, puxar ou desligar a ferramenta elétrica.

Mantenha o fio afastado do calor, óleo, margens afiadas ou peças em movimento.

Os fios danificados ou entrelaçados podem aumentar o risco de choques elétricos.

- e) Quando trabalhar com uma ferramenta elétrica no exterior, utilize uma extensão adequada para utilização exterior.

A utilização de um fio adequado para utilização no exterior reduz o risco de choques elétricos.

- f) Se não for possível evitar a utilização de uma máquina elétrica num local húmido, utilize uma fonte de alimentação protegida por um dispositivo de corrente residual (RCD).

A utilização de um RCD reduz o risco de choques elétricos.

3) Segurança pessoal

- a) Mantenha-se alerta, esteja atento ao que está a fazer e utilize o bom senso ao trabalhar com uma ferramenta elétrica.

Não utilize uma ferramenta elétrica quando estiver cansado ou sob a influência de drogas, álcool ou medicamentos.

Um momento de desatenção enquanto trabalha com ferramentas elétricas pode resultar em ferimentos pessoais graves.

- b) Utilize equipamento de proteção pessoal. Utilize sempre proteção para os olhos.

O equipamento de proteção, tal como uma máscara de pó, sapatos de segurança anti-derrapantes, capacete ou proteção auricular utilizados para condições adequadas reduzirá os ferimentos pessoais.

- c) Evite arranques acidentais. Certifique-se de que o interruptor está na posição de desligado antes de ligar a fonte de alimentação e/ou bateria, levantar ou transportar a ferramenta.

Transportar ferramentas elétricas com o dedo no interruptor ou ativar ferramentas que estão com o interruptor ligado é propício a acidentes.

- d) Remova qualquer chave de parafusos ou chave-inglesa de regulação antes de ligar a ferramenta.

Uma chave-inglesa ou de parafusos ligada à parte rotativa da ferramenta pode provocar ferimentos pessoais.

- e) Não se estique. Mantenha sempre o controlo e equilíbrio adequados.

Isto permite obter um melhor controlo da ferramenta em situações inesperadas.

- f) Vista-se adequadamente. Não use roupas largas ou jóias. Mantenha o seu cabelo e roupa longe de peças móveis.

As roupas largas, jóias ou cabelo comprido podem ficar presos nas peças móveis.

- g) Se forem fornecidos dispositivos para a ligação de extratores de pó e dispositivos de recolha, certifique-se de que estes estão ligados e são utilizados adequadamente.

A utilização de uma recolha de pó pode reduzir os perigos relacionados com o pó.

- h) Não deixe que a familiaridade resultante de uma utilização frequente das ferramentas permita que se torne complacente e ignore os princípios de segurança das ferramentas.

Uma ação descuidada pode causar ferimentos graves numa fração de segundo.

4) Utilização da ferramenta e manutenção

- a) Não force a ferramenta elétrica. Utilize a ferramenta correta para a sua aplicação.

A ferramenta correta fará o trabalho melhor e com mais segurança à velocidade para a qual foi concebida.

- b) Não utilize a ferramenta elétrica se o interruptor não a ligar ou desligar.

Qualquer ferramenta que não possa ser controlada com o interruptor é perigosa e deve ser reparada.

- c) Desligue a ficha da fonte de alimentação e/ou remova a bateria da ferramenta elétrica, se removível, antes de efetuar quaisquer regulações, mudar os acessórios ou armazenar ferramentas elétricas.

Tais medidas de segurança de prevenção reduzem o risco de ligar a ferramenta elétrica acidentalmente.

- d) Armazene as ferramentas elétricas fora do alcance das crianças e não permita que pessoas não familiarizadas com a ferramenta elétrica ou com estas instruções utilizem a ferramenta.

As ferramentas elétricas são perigosas nas mãos de utilizadores inexperientes.

- e) Efetue a manutenção das ferramentas elétricas e acessórios. Verifique a existência de desalinhamentos ou dobragens das peças móveis, quebras de peças e quaisquer outras condições que possam afetar o funcionamento da ferramenta elétrica. Se danificada, mande reparar a ferramenta antes de utilizar.

Muitos acidentes são causados por ferramentas com má manutenção.

- f) Mantenha as ferramentas de corte afiadas e limpas.

As ferramentas de corte com uma manutenção adequada e extremidades afiadas são menos propensas a dobrar e mais fáceis de controlar.

- g) Utilize a ferramenta elétrica, acessórios e brocas de ferramentas, etc., de acordo com estas instruções, tendo em consideração as condições de trabalho e o trabalho a ser efetuado.

A utilização de uma ferramenta elétrica para operações diferentes das previstas pode resultar numa situação perigosa.

- h) Mantenha as pegas e as superfícies de manuseamento secas, limpas e livres de óleo e graxa.

Pegas de manuseamento escorregadias não permitem a manipulação segura e controlo da ferramenta em situações inesperadas.

5) Manutenção

- a) Faça a manutenção da sua ferramenta elétrica por um pessoal de reparação qualificado e utilize apenas peças de substituição idênticas. Isto garantirá que a segurança da ferramenta elétrica é mantida.

AVISO

Mantenha afastadas das crianças e pessoas doentes. Quando não estiverem a ser utilizadas, as ferramentas devem ser guardadas fora do alcance das crianças e pessoas doentes.

PRECAUÇÕES QUANTO AO USO DA TESOURA

- Tenha cuidado com as bordas afiadas do painel.
A borda da placa que acaba de ser cortada com a tesoura e muito afiada. Tome cuidado para não se ferir com ela.
- Comece a cortar somente depois de a lâmina atingir a velocidade apropriada.
Depois de ligar o interruptor, espere até que a lâmina atinga a velocidade apropriada e, então, comece a cortar.
- Cuide bem do fio de eletricidade.
Cuide para que o fio de eletricidade não sofra desgastes ou cortes na borda afiada do painel de corte.

ESPECIFICAÇÕES

Voltagem (por áreas)*	(110 V, 120 V, 127 V, 220 V, 230 V, 240 V) ~	
Entrada	400 W*	
Capacidade de corte	Placa de aço doce (400N/mm ²)	1,6 mm
	Placa de aço inoxidável (600N/mm ²)	1,2 mm
	Placa de alumínio (200N/mm ²)	2,3 mm
Número de golpes sem carga	4700 min ⁻¹	
Peso (sem o fio)**	1,7 kg	

* Não deixe de verificar a placa de identificação do produto, pois ele está sujeito a mudanças por áreas.

** De acordo com o procedimento EPTA 01/2014

ACESSÓRIOS-PADRÃO

- (1) Calibrador de espessura.....1
 (2) Chave de barra sextavada1
 Os acessórios-padrão estão sujeitos a mudanças sem aviso prévio.

APLICAÇÕES

- Corte de placas de aço, de latão, de cobre, de alumínio, de aço inoxidável, de estanho e de outros metais, além de couro e painéis de fibras.

ANTES DA OPERAÇÃO

1. Fonte de energia

Certifique-se de que a fonte de energia a ser utilizada está conforme às exigências especificadas na placa identificadora do produto.

2. Interruptor

Certifique-se de que o interruptor está na posição DESLIGADA. Se o plugue estiver conectado a um receptáculo quando o interruptor estiver LIGADO, a ferramenta elétrica vai começar a operar imediatamente, podendo provocar um grave acidente.

3. Cabo de extensão

Quando o local de trabalho não possuir uma fonte de energia, utilize um cabo de extensão de espessura e de potência nominal suficientes. A extensão deve ser mantida tão curta quanto possível.

4. Ajuste do espaçamento horizontal entre as lâminas da tesoura

Ajuste o espaçamento horizontal entre as lâminas da tesoura (A na Fig. 2) em aproximadamente 1/10 da espessura da placa de aço a ser cortada, de acordo com os seguintes procedimentos. (Fig. 3)

- (1) Desaperte os parafusos de cabeça oca sextavada prendendo a lâmina fixa. Desaperte a contraporca M4 e empurre levemente os parafusos de retenção com fendas M4.
- (2) Com o calibrador de espessura fornecido, selecione a espessura de 1/10 do painel a ser cortado. As espessuras estão marcadas no calibrador. Insira o calibrador entre as lâminas e depois aperte um pouco só os parafusos de cabeça oca sextavada. Em seguida, use uma chave de fenda para apertar os parafusos de retenção M4 na posição da lâmina fixa até que ela atinja a espessura determinada pelo calibrador.
- (3) Se o espaço entre as lâminas for maior do que a espessura do painel a ser cortado haverá rebarbas num corte imperfeito.
Se o espaço entre as lâminas for muito pequeno, a velocidade de corte será afetada. Para cortar numa linha curva, o espaço deve ser um pouco maior para facilitar o corte.
- (4) Depois do ajuste, aperte firmemente as porcas M4 de maneira que elas não se afrouxem durante a operação.
- (5) Aperte firmemente os parafusos de cabeça oca sextavada, prendendo a lâmina fixa.

CORTE

CUIDADO

- Não tente cortar painéis de espessura que estão fora da capacidade da tesoura. Fazer isso pode resultar numa avaria prematura da tesoura.
- Execute a operação de corte somente depois que o painel estiver firmemente preso.

Segure sempre a ferramenta firmemente com uma mão no revestimento (Fig. 4)

Ao cortar painéis finos, nivele o aparelho horizontalmente, como mostra a Fig. 4.

Para tornar o corte de painéis espessos mais fácil, se o lado de corte for para a direção da esquerda (Fig. 4) levante um pouco a parte posterior do aparelho. E se o lado de corte for para a direção da direita, abaixe levemente a parte posterior do aparelho.

TROCA DE LÂMINA

A tesoura utiliza lâminas descartáveis. Cada lâmina possui 8 gumes como mostra a Fig. 5. Depois de cortar 400 metros de painéis, o desempenho do gume decai. Use então outro gume. Depois que todos os 8 gumes estiverem desgastados, substitua a lâmina.

MANUTENÇÃO E INSPEÇÃO

1. Inspeção da lâmina

O uso de lâmina desgastada ou lascada coloca uma carga excessiva no motor e afeta o desempenho do trabalho. Assim, use sempre uma lâmina com bom corte.

2. Inspeção dos parafusos de montagem

Inspeccione regularmente todos os parafusos de montagem e se certifique de que estão corretamente apertados. Se algum deles estiver frouxo, reaperte-o imediatamente. Caso isso não seja feito, pode resultar em perigo grave.

3. Manutenção do motor

A unidade de enrolamento do motor é o verdadeiro "coração" da ferramenta elétrica. Cuide bem para assegurar que o enrolamento não se danifique e/ou se molhe com óleo ou água.

4. Inspeção das escovas de carvão (Fig. 6)

O motor emprega escovas de carvão que são peças de consumo. Uma vez que uma escova de carvão excessivamente gasta pode resultar em problemas do motor, substitua as escovas de carvão por umas novas com o mesmo n.º de escova de carvão ① mostrado na imagem quando ficarem gastas ou quando se aproximarem do "limite de desgaste" ②. Além disso, mantenha as escovas de carvão sempre limpas e certifique-se de que elas deslizam livremente nos suportes de escova.

5. Troca de escova de carvão

Desmonte a tampa da escova com uma chave de fenda. A escova de carvão pode ser, então, facilmente removida.

6. Substituir o cabo de alimentação

Se o cabo de alimentação da Ferramenta estiver danificado, a Ferramenta tem de ser devolvida a um Centro de Assistência Autorizado da HiKOKI para que o cabo seja substituído.

7. Manutenção

Consulte um Agente de Assistência autorizado em caso de avaria da ferramenta elétrica.

CUIDADO

Na operação e na manutenção das ferramentas elétricas, devem-se observar as normas de segurança e os padrões prescritos por cada país.

GARANTIA

Garantimos que a HiKOKI Power Tools obedece às respectivas normas específicas estatutárias/de país. Esta garantia não cobre avarias ou danos derivados de má utilização, abuso ou desgaste normal. Em caso de queixa, envie a Ferramenta, não desmontada, juntamente com o CERTIFICADO DE GARANTIA que se encontra no fundo destas instruções de utilização, para um Centro de Serviço Autorizado HiKOKI.

NOTA

Devido ao programa contínuo de pesquisa e desenvolvimento da HiKOKI, as especificações aqui contidas estão sujeitas a mudanças sem aviso prévio.

Informação a respeito de ruídos e vibração do ar

Os valores medidos foram determinados de acordo com a EN62841 e declarados em conformidade com a ISO 4871.

Nível de potência sonora ponderada A medida: 89 dB (A)

Nível de pressão sonora ponderada A medida: 78 dB (A)

Imprecisão KpA: 3 dB (A)

Use proteção auditiva.

Os valores totais da vibração (soma do vector triax) são determinados de acordo com a norma EN62841.

Cortar folhas de metal:

Valor de emissão de vibrações $a_h = 5,6 \text{ m/s}^2$

Incerteza de $K = 1,5 \text{ m/s}^2$

AVISO

- O valor de emissão de vibrações durante a utilização da ferramenta eléctrica pode ser diferente do valor declarado, consoante as formas de utilização da ferramenta.
- Para identificar as medidas de segurança para proteger o operador, que são baseadas numa estimativa de exposição nas actuais condições de utilização (tendo em conta todas as partes do ciclo de funcionamento, tais como os tempos em que a ferramenta é desligada e quando está a funcionar ao ralenti, além do tempo de accionamento do gatilho).

ΓΕΝΙΚΕΣ ΠΡΟΕΙΔΟΠΟΙΗΣΕΙΣ ΑΣΦΑΛΕΙΑΣ ΤΟΥ ΗΛΕΚΤΡΙΚΟΥ ΕΡΓΑΛΕΙΟΥ

⚠ ΠΡΟΣΟΧΗ

Διαβάστε όλες τις προειδοποιήσεις ασφαλείας, τις οδηγίες, τις εικόνες και τις προδιαγραφές που παρέχονται με το ηλεκτρικό εργαλείο.

Η μη τήρηση των οδηγιών μπορεί να προκαλέσει ηλεκτροπληξία, πυρκαγιά και/ή σοβαρό τραυματισμό.

Φυλάξτε όλες τις προειδοποιήσεις και τις οδηγίες για μελλοντική αναφορά.

Ο όρος «ηλεκτρικό εργαλείο» στις προειδοποιήσεις αναφέρεται στο ηλεκτρικό εργαλείο (με καλώδιο) που λειτουργεί μέσω δικτύου ή στο ηλεκτρικό εργαλείο που λειτουργεί με μπαταρία (χωρίς καλώδιο).

1) Ασφάλεια χώρου εργασίας

a) Διατηρείτε το χώρο εργασίας καθαρό και καλά φωτισμένο.

Σε ακατάστατες ή σκοτεινές περιοχές μπορεί να προκληθούν ατυχήματα.

b) Μην χρησιμοποιείτε τα ηλεκτρικά εργαλεία σε περιβάλλον, στο οποίο μπορεί να προκληθεί έκρηξη, όπως παρουσία εύφλεκτων υγρών, αερίων ή σκόνης.

Τα ηλεκτρικά εργαλεία δημιουργούν σπινθήρες, οι οποίοι μπορεί να προκαλέσουν ανάφλεξη της σκόνης ή του καπνού.

c) Κρατήστε τα παιδιά και τους παρευρισκόμενους μακριά όταν χρησιμοποιείτε ένα ηλεκτρικό εργαλείο.

Αν κάτι σας αποσπάσει την προσοχή σας, υπάρχει κίνδυνος να χάσετε τον έλεγχο.

2) Διακόπτης ασφαλείας

a) Τα φics των ηλεκτρικών εργαλείων πρέπει να είναι κατάλληλα για τις πρίζες. Μην τροποποιήσετε ποτέ το φics με οποιονδήποτε τρόπο. Μην χρησιμοποιείτε φics προσαρμογής με γειωμένα ηλεκτρικά εργαλεία.

Τα μη τροποποιημένα φics και οι κατάλληλες πρίζες μειώνουν τον κίνδυνο ηλεκτροπληξίας.

b) Αποφύγετε τη σωματική επαφή με γειωμένες επιφάνειες όπως σωλήνες, καλοριφέρ, ηλεκτρικές κουζίνες και ψυγεία.

Υπάρχει αυξημένος κίνδυνος ηλεκτροπληξίας όταν το σώμα σας είναι γειωμένο.

c) Μην εκθέτετε τα ηλεκτρικά εργαλεία στη βροχή ή σε συνθήκες υγρασίας.

Το νερό που εισέρχεται σε ένα ηλεκτρικό εργαλείο αυξάνει τον κίνδυνο ηλεκτροπληξίας.

d) Μην κακομεταχειρίζεστε το καλώδιο. Μην χρησιμοποιείτε ποτέ το καλώδιο για να μεταφέρετε, να τραβήξετε ή να βγάλετε από την πρίζα το ηλεκτρικό εργαλείο.

Κρατήστε το καλώδιο μακριά από θερμότητα, λάδι, κοφτερές γωνίες και κινούμενα μέρη. Τα κατεστραμμένα ή μπερδεμένα καλώδια αυξάνουν τον κίνδυνο ηλεκτροπληξίας.

e) Όταν χρησιμοποιείτε το εργαλείο σε εξωτερικό χώρο, χρησιμοποιήστε καλώδιο προέκτασης που προορίζεται για χρήση σε εξωτερικό χώρο.

Η χρήση ενός καλωδίου κατάλληλου για εξωτερικό χώρο μειώνει τον κίνδυνο ηλεκτροπληξίας.

f) Αν είναι αναπόφευκτη η λειτουργία ενός ηλεκτρικού εργαλείου σε χώρο με υγρασία, χρησιμοποιείτε διάταξη προστασίας ρεύματος διαρροής (RCD).

Η χρήση της RCD μειώνει τον κίνδυνο ηλεκτροπληξίας.

3) Προσωπική ασφάλεια

a) Να είστε σε ετοιμότητα, να έχετε την προσοχή σας στην εργασία που πραγματοποιείτε και να χρησιμοποιείτε την κοινή λογική όταν χρησιμοποιείτε ένα ηλεκτρικό εργαλείο.

Μην χρησιμοποιείτε ηλεκτρικά εργαλεία όταν είστε κουρασμένοι ή υπό την επίρρινα ναρκωτικών ουσιών, οινοπνεύματος ή φαρμάκων.

Μια στιγμή απροσεξίας κατά τη χρήση ενός ηλεκτρικού εργαλείου μπορεί να προκαλέσει σοβαρό προσωπικό τραυματισμό.

b) Χρησιμοποιείτε προσωπικό προστατευτικό εξοπλισμό. Φοράτε πάντα εξοπλισμό για την προστασία των ματιών.

Ο προστατευτικός εξοπλισμός, όπως μάσκα σκόνης, αντιολισθητικά υποδήματα ασφαλείας, προστατευτικό κράνος ή προστατευτικά της ακοής, που χρησιμοποιείται για ανάλογες συνθήκες, μειώνει τους τραυματισμούς.

c) Αποφύγετε την ακούσια έναρξη. Βεβαιωθείτε ότι ο διακόπτης είναι σε θέση απενεργοποίησης πριν συνδέσετε τη συσκευή με πηγή ρεύματος και/ή τη θήκη της μπαταρίας, σηκώσετε ή μεταφέρετε το εργαλείο.

Η μεταφορά ηλεκτρικού εργαλείου με τα δάχτυλά σας στο διακόπτη ή η ηλεκτροδότηση ηλεκτρικού εργαλείου με ενεργοποιημένο το διακόπτη μπορεί να προκαλέσουν ατυχήματα.

d) Να αφαιρείτε τυχόν κλειδιά ρυθμιζόμενου ανοιγματος ή τα απλά κλειδιά πριν βέσετε σε λειτουργία το ηλεκτρικό εργαλείο.

Ένα απλό κλειδί ή ένα κλειδί ρυθμιζόμενου ανοιγματος που είναι προσαρτημένο σε περιστρεφόμενο εξάρτημα του ηλεκτρικού εργαλείου μπορεί να προκαλέσει προσωπικό τραυματισμό.

e) Μην τεντώνεστε. Να πατάτε σταθερά και να διατηρείτε την ισορροπία σας.

Με αυτόν τον τρόπο μπορείτε να ελέγχετε καλύτερα το ηλεκτρικό εργαλείο σε μη αναμενόμενες καταστάσεις.

f) Να είστε ντυμένοι κατάλληλα. Μην φοράτε φαρδιά ρούχα ή κοσμήματα. Κρατήστε τα μαλλιά σας και τα ρούχα σας μακριά από κινούμενα μέρη.

Τα φαρδιά ρούχα, τα κοσμήματα και τα μακριά μαλλιά μπορεί να πιαστούν σε κινούμενα μέρη.

g) Αν παρέχονται εξαρτήματα για τη σύνδεση συσκευών εξαγωγής και συλλογής σκόνης, να βεβαιώνετε ότι είναι συνδεδεμένα και χρησιμοποιούνται με το σωστό τρόπο.

Η χρήση συλλέκτη σκόνης μειώνει τους κινδύνους που προκαλούνται λόγω σκόνης.

h) Μην αφήσετε την εξοικείωση που έχετε αποκτήσει από τη συχνή χρήση των εργαλείων να σας εφησυχάσει και να αγνοήσετε τις αρχές ασφαλείας του εργαλείου.

Μια απρόσμετη ενέργεια μπορεί να προκαλέσει σοβαρό τραυματισμό μέσα σε ένα κλάσμα του δευτερολέπτου.

- 4) Χρήση και φροντίδα ηλεκτρικών εργαλείων
- a) Μην ασκείτε δύναμη στο ηλεκτρικό εργαλείο. Να χρησιμοποιείτε το ηλεκτρικό εργαλείο που είναι κατάλληλο για το είδος της εργασίας που εκτελείτε.
Το κατάλληλο ηλεκτρικό εργαλείο θα εκτελέσει την εργασία καλύτερα και με μεγαλύτερη ασφάλεια με τον τρόπο που σχεδιάστηκε.
- b) Μη χρησιμοποιήσετε το ηλεκτρικό εργαλείο αν ο διακόπτης λειτουργίας δεν ανοίγει και δεν κλείνει.
Ένα ηλεκτρικό εργαλείο που δεν ελέγχεται από το διακόπτη λειτουργίας είναι επικίνδυνο και πρέπει να επισκευαστεί.
- c) Αποσυνδέστε το βύσμα από την πηγή ισχύος και/ή αφαιρέστε τη θήκη μπαταρίας, εάν είναι αποσπώμενη, από το ηλεκτρικό εργαλείο πριν προβείτε σε ρυθμίσεις, αλλαγή εξαρτημάτων ή αποθήκευση του ηλεκτρικού εργαλείου.
Αυτά τα προληπτικά μέτρα ασφαλείας μειώνουν τον κίνδυνο λανθασμένης εκκίνησης του ηλεκτρικού εργαλείου.
- d) Αποθηκεύετε τα εργαλεία που δεν χρησιμοποιείτε μακριά από παιδιά και μην αφήνετε τα άτομα που δεν είναι εξοικειωμένα με το ηλεκτρικό εργαλείο ή με αυτές τις οδηγίες να χρησιμοποιούν το ηλεκτρικό εργαλείο.
Τα ηλεκτρικά εργαλεία είναι επικίνδυνα στα χέρια μη εκπαιδευμένων ατόμων.
- e) Συντηρείτε τα ηλεκτρικά εργαλεία και τα εξαρτήματα. Να ελέγχετε για τυχόν λάθος ευθυγράμμιση ή μπλοκάρισμα των κινούμενων μερών, τυχόν θραύση των εξαρτημάτων και οποιαδήποτε άλλη κατάσταση που ενδέχεται να επηρεάσει τη λειτουργία του ηλεκτρικού εργαλείου. Σε περίπτωση βλάβης, το ηλεκτρικό εργαλείο πρέπει να επισκευαστεί πριν χρησιμοποιηθεί.
Πολλά ατυχήματα προκαλούνται από ηλεκτρικά εργαλεία που δεν έχουν συντηρηθεί σωστά.
- f) Διατηρείτε τα εργαλεία κοπής κοφτερά και καθαρά.
Τα κατάλληλα συντηρημένα εργαλεία κοπής με κοφτερές άκρες μπλοκάρουν πιο δύσκολα και ελέγχονται πιο εύκολα.
- g) Χρησιμοποιείτε το ηλεκτρικό εργαλείο, τα εξαρτήματα και τα μέρη κ.τ.λ. σύμφωνα με τις παρούσες οδηγίες, λαμβάνοντας υπόψη τις συνθήκες εργασίας και την εργασία που θα εκτελέσετε.
Η χρήση του ηλεκτρικού εργαλείου για εργασίες πέρα από εκείνες για τις οποίες προορίζεται, ενδέχεται να δημιουργήσει κινδύνους.
- h) Κρατήστε τις λαβές και τις επιφάνειες λαβής στεγνές, καθαρές και απαλλαγμένες από λάδια και γράσα.
Οι ολισθηρές λαβές και οι επιφάνειες λαβής δεν επιτρέπουν τον ασφαλή χειρισμό και έλεγχο του εργαλείου σε απρόοπτες καταστάσεις.
- 5) Σέρβις
- a) Να δίνετε το ηλεκτρικό εργαλείο για σέρβις σε κατάλληλα εκπαιδευμένα άτομα και να χρησιμοποιείτε μόνο γνήσια ανταλλακτικά.
Με αυτόν τον τρόπο είστε σίγουροι για την ασφάλεια του ηλεκτρικού εργαλείου.

ΠΡΟΦΥΛΑΞΗ

Μακριά από τα παιδιά και τους αναπήρους. Όταν δεν χρησιμοποιούνται, τα εργαλεία πρέπει να φυλάσσονται μακριά από τα παιδιά και τους αναπήρους.

ΠΡΟΦΥΛΑΚΤΙΚΑ ΜΕΤΡΑ ΠΑΝΩ ΣΤΗ ΧΡΗΣΗ ΤΟΥ ΨΑΛΙΔΙΟΥ ΛΑΜΑΡΙΝΑΣ

- Προσέξτε τις κοφτερές άκρες του πλαισίου. Η άκρη του πλαισίου που μόλις κόπηκε από το ψαλίδι λαμαρίνας είναι πολύ κοφτερή. Δώστε προσοχή ώστε να μην τραυματιστείτε από το κοφτερό άκρο.
- Αρχίστε να κόβετε μόνο αφότου η λάμα αποκτήσει την κατάλληλη ταχύτητα. Αφότου ανοίξετε τον διακόπτη ρεύματος, περιμένετε μέχρις ότου η λάμα αποκτήσει την κατάλληλη ταχύτητα, και μετά αρχίστε να κόβετε.
- Διατηρήστε το καλώδιο ρεύματος. Εξασφαλίστε ότι το καλώδιο ρεύματος δεν είναι ξυμένο ή κομμένο από το κοφτερό άκρο του πλαισίου κοπής.

ΤΕΧΝΙΚΑ ΧΑΡΑΚΤΗΡΙΣΤΙΚΑ

Τάση (ανά περιοχή)*	(110 V, 120 V, 127 V, 220 V, 230 V, 240 V) ~	
Είσοδος	400 W*	
Ικανότητα κοπής	Φύλλο μαλακού ατσαλιού (400N/mm ²)	1,6 mm
	Φύλλο ανοξείδωτου ατσαλιού (600N/mm ²)	1,2 mm
	Φύλλο αλουμινίου (200N/mm ²)	2,3 mm
Αριθμός κτυπημάτων χωρίς φορτίο	4700 min ⁻¹	
Βάρος (χωρίς το καλώδιο)**	1,7 kg	

* Βεβαιωθείτε να ελέγξετε τη πινακίδα στο προζόν γιατί αυτό μπορεί να αλλάξει χωρίς προειδοποίηση.

** Σύμφωνα με τη Διαδικασία EPTA 01/2014

ΚΑΝΟΝΙΚΑ ΕΞΑΡΤΗΜΑΤΑ

- (1) Μετρητής πάχους.....1
(2) Εξάγωνο κλειδί Άλεν.....1
Τα κανονικά εξαρτήματα υπόκεινται σε αλλαγή χωρίς προειδοποίηση.

ΕΦΑΡΜΟΓΕΣ

- Για κοπή φύλλων μετάλλου, μπρούτζου, χαλκού, αλουμινίου, ανοξείδωτου ατσάλιού, και άλλων μεταλλικών φύλλων, επίσης δέρματος και φύλλα κοντραπλακέ.

ΠΡΙΝ ΤΗ ΛΕΙΤΟΥΡΓΙΑ

1. Τηρή ρεύματος

Βεβαιωθείτε ότι η πηγή ρεύματος που πρόκειται να χρησιμοποιηθεί είναι εναρμονισμένη με τις απαιτήσεις σε ρεύμα που αναφέρεται στην πινακίδα του προζόντος.

2. Διακόπτης ρεύματος

Βεβαιωθείτε ότι ο διακόπτης ρεύματος βρίσκεται στη θέση OFF. Αν το βίσμα είναι στη μπρίζα καθώς ο διακόπτης ρεύματος βρίσκεται στο ON, το εργαλείο θα αρχίσει να λειτουργεί αμέσως, με πιθανότητα πρόκλησης σοβαρού ατυχήματος.

3. Καλώδιο προέκτασης

Όταν ο χώρος εργασίας βρίσκεται μακριά από την παροχή ρεύματος. Χρησιμοποιήστε ένα καλώδιο προέκτασης με κατάλληλο πάχος και ικανότητα μεταφοράς ρεύματος. Το καλώδιο προέκτασης πρέπει να είναι τόσο κοντό όσο είναι πρακτικά δυνατό.

4. Ρύθμιση του οριζοντίου κενού μεταξύ των λαμών κοπής

Ρυθμίστε το οριζόντιο κενό ανάμεσα στις λάμες κοπής (Α στην **Εικ. 2**) κατά προσέγγιση στο 1/10 του πάχους του φύλλου ατσάλιου που πρόκειται να κοπεί, σύμφωνα με τις παρακάτω διαδικασίες. (**Εικ. 3**)

- (1) Ξεσφίξτε τα μπουλόνια εξάγωνης κεφαλής που σφίγγουν την στατική λάμα. Ξεσφίξτε το M4 παξιμάδι ασφάλισης, και σπρώξτε πίσω ελαφρά τις κοντραβίδες διακοπόμενου βήματος M4.
- (2) Από τους παρεχόμενους μετρητές πάχους, επιλέξτε αυτόν που έχει το 1/10 του πάχους του πλαισίου που πρόκειται να κοπεί. Το πάχος του κάθε μετρητή πάχους είναι σηματοδομένο πάνω του. Βάλτε το μετρητή ανάμεσα στις λάμες, μετά σφίξτε τα μπουλόνια εξάγωνης κεφαλής πολύ χαλαρά. Μετά, χρησιμοποιήστε ένα κατασβίδι για να στρέψετε τις κοντραβίδες διακοπόμενου βήματος M4 και να τοποθετηθεί η στατική λάμα στο πάχος του μετρητή.
- (3) Αν ο χώρος ανάμεσα στις λάμες είναι μεγαλύτερος από το πάχος του πλαισίου που πρόκειται να κοπεί, θα υπάρξουν τρίμματα εξαιτίας του κακού κοψίματος. Αν ο χώρος ανάμεσα στις λάμες είναι πολύ στενός, η ταχύτητα κοπής θα επηρεαστεί. Στη περίπτωση της κοπής σε καμπύλη γραμμή, αν κάνετε το χώρο λίγο μεγαλύτερο θα γίνει η κοπή πιο εύκολη.
- (4) Μετά τη ρύθμιση, σφίξτε τα M4 παξιμάδια γερά έτσι ώστε να μην ξεσφίξουν κατά την λειτουργία.
- (5) Σφίξτε γερά τα μπουλόνια εξάγωνης κεφαλής που στερεώνουν την στατική λάμα.

ΚΟΠΗ

ΠΡΟΣΟΧΗ

- Μην προσπαθήσετε να κόψετε πλαίσια που έχουν πάχος μεγαλύτερο από την ικανότητα του ψαλιδιού λαμαρίνας. Αν το κάνετε αυτό θα προκληθεί η πρόωρη βλάβη στον κόφτη.
- Εκτελέστε την λειτουργία κοπής μόνο αφότου το πλαίσιο είναι στερεωμένο γερά.

Πάντα να κρατάτε το εργαλείο σταθερά με το χέρι σας στο περίβλημα (**Εικ.4**)

Όταν κόβετε λεπτά πλαίσια, τοποθετήστε τη μονάδα οριζόντια, όπως φαίνεται στην **Εικ. 4**.

Για να διευκολύνεται την ομαλή κοπή των πλαισίων με μεγάλο πάχος, αν η αποκομμένη πλευρά κλίνει προς τα αριστερά, (**Εικ. 4**) σηκώστε το πίσω μέρος της συσκευής ελαφρά. Και αν η αποκομμένη πλευρά κλίνει προς τα δεξιά, χαμηλώστε το πίσω μέρος της συσκευής ελαφρά.

ΑΝΤΙΚΑΤΑΣΤΑΣΗ ΛΑΜΑΣ

Ο κόφτης χρησιμοποιεί αναλώσιμες λάμες. Κάθε λάμα έχει 8 άκρες κοπής, όπως φαίνεται στην **Εικ. 5**. Μετά από την κοπή 400 μέτρων πλαισίου από μια άκρη κοπής, η απόδοση του κοψίματος θα ελαττωθεί. Τότε χρησιμοποιήστε μια άλλη άκρη κοπής. Μετά την χρήση και την φθορά και των 8 άκρων κοπής, αντικαταστήστε την λάμα.

ΣΥΝΤΗΡΗΣΗ ΚΑΙ ΕΠΙΘΕΩΡΗΣΗ

1. Επιθεώρηση της λάμας

Η χρήση μιας φθαρμένης και κομμένης στα άκρα λάμας θα δώσει υπερβολικό φορτίο στο μοτέρ και θα επηρεάσει την απόδοση της εργασίας. Επομένως πάντοτε χρησιμοποιείτε μια λάμα που κόβει καλά.

2. Έλεγχος των βιδών στερέωσης

Ελέγχετε περιοδικά όλες τις βίδες στερέωσης και βεβαιωθείτε ότι είναι κατάλληλα σφιγμένες. Στην περίπτωση που χαλαρώσει οποιαδήποτε βίδα σφίξτε την ξανά αμέσως. Αν δεν το κάνετε αυτό μπορεί να έχει ως αποτέλεσμα το σοβαρό τραυματισμό.

3. Συντήρηση του μοτέρ

Η περιέλιξη της μονάδα του μοτέρ είναι η καρδιά του ηλεκτρικού εργαλείου. Δώστε μεγάλη προσοχή για να σιγουρευτείτε ότι η περιέλιξη δεν θα πάθει ζημιά και/ή θα βρεχθεί με λάδι ή νερό.

4. Έλεγχος στα καρβουνάκια (**Εικ. 6**)

Το μοτέρ χρησιμοποιεί καρβουνάκια τα οποία είναι αναλώσιμα μέρη. Εφόσον μια υπερβολικά φθαρμένη ανθρακική ψήκτρα μπορεί να οδηγήσει σε βλάβη του κινητήρα, αντικαταστήστε τη με μια νέα που διαθέτει τον ίδιο αριθμό ① που αναφέρεται στην εικόνα όταν φθαρεί ή πλησιάζει το «όριο φθοράς» ②. Επιπρόσθετα, πάντοτε κρατάτε τα καρβουνάκια καθαρά και εξασφαλίστε ότι ολισθαίνουν ελεύθερα ανάμεσα στις θήκες.

5. Αντικατάσταση των καρβουνικών

Αποσυρμαολογήστε το καπάκι της ψήκτρας με ένα κατασβίδι. Το καρβουνάκι μετά μπορεί να αφαιρεθεί εύκολα.

6. Αντικατάσταση του καλωδίου τροφοδοσίας

Αν το καλώδιο παροχής ρεύματος του Εργαλείου πάθει ζημιά, το Εργαλείο πρέπει να επιστραφεί στο Εξουσιοδοτημένο Κέντρο Εξυπηρέτησης της HiKOKI για να αντικατασταθεί.

7. Σέρβις

Συμβουλευτείτε έναν εξουσιοδοτημένο Αντιπρόσωπο σέρβις σε περίπτωση βλάβης του ηλεκτρικού εργαλείου.

ΠΡΟΣΟΧΗ

Κατά τον έλεγχο και τη συντήρηση των ηλεκτρικών εργαλείων, οι κανόνες ασφαλείας και οι κανονισμοί που υπάρχουν σε κάθε χώρα πρέπει να ακολουθούνται.

ΕΓΓΥΗΣΗ

Εγγυώμαστε τα εργαλεία HiKOKI Power Tools σύμφωνα με τη νομοθεσία και τους κανονισμούς ανά χώρα. Η παρούσα εγγύηση δεν καλύπτει ελαττώματα ή ζημιές λόγω κακής χρήσης, κακοποίησης ή φυσιολογικής φθοράς. Σε περίπτωση παραπόνων παρακαλούμε αποστείλετε το Power Tool χωρίς να το αποσυναρμολογήσετε μαζί με το ΠΙΣΤΟΠΟΙΗΤΙΚΟ ΕΓΓΥΗΣΗΣ το οποίο βρίσκεται στο τέλος των οδηγιών αυτών, σε Εξουσιοδοτημένο Κέντρο Επισκευής της HiKOKI.

ΣΗΜΕΙΩΣΗ

Εξαιτίας του συνεχιζόμενου προγράμματος έρευνας και ανάπτυξης της HiKOKI, τα τεχνικά χαρακτηριστικά του παρόντος υπόκεινται σε αλλαγή χωρίς προειδοποίηση.

Πληροφορίες που αφορούν τον εκπεμπόμενο θόρυβο και τη δόνηση

Οι τιμές μετρήθηκαν σύμφωνα με το EN62841 και βρέθηκαν σύμφωνες με το ISO 4871.

Μετρηθείσα τυπική στάθμη ηχητικής ισχύος A: 89 dB (A)
Μετρηθείσα τυπική στάθμη ηχητικής πίεσης A: 78 dB (A)
Αβεβαιότητα KpA: 3 dB (A)

Φοράτε προστατευτικά αυτιών.

Συνολικές τιμές δόνησης (διανυσματικό άθροισμα τριαξονικού καλωδίου) που καθορίζονται σύμφωνα με το πρότυπο EN62841.

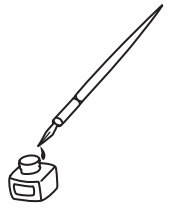
Κοπή λαμαρίνας:

Τιμή εκπομπής δόνησης $a_h = 5,6 \text{ m/s}^2$

Αβεβαιότητα K = 1,5 m/s^2

ΠΡΟΣΟΧΗ

- Η τιμή εκπομπής δόνησης κατά την ουσιαστική χρήση του ηλεκτρικού εργαλείου μπορεί να διαφέρει από τη δηλωμένη τιμή, ανάλογα με το που και πως χρησιμοποιείται το εργαλείο.
- Για να αναγνωρίσετε τα μέτρα ασφαλείας για την προστασία του χειριστή που βασίζονται σε μία εκτίμηση της έκθεσης στις πραγματικές συνθήκες χρήσης (λαμβάνοντας υπόψη όλα τα μέρη του κύκλου λειτουργίας όπως τα διαστήματα που το εργαλείο είναι απενεργοποιημένο και όταν λειτουργεί στο ρελαντί μαζί με το χρόνο διέγερσης).



<p>English</p> <p><u>GUARANTEE CERTIFICATE</u></p> <p>① Model No. ② Serial No. ③ Date of Purchase ④ Customer Name and Address ⑤ Dealer Name and Address (Please stamp dealer name and address)</p>	<p>Nederlands</p> <p><u>GARANTIEBEWIJS</u></p> <p>① Modelnummer ② Serienummer ③ Datum van aankoop ④ Naam en adres van de gebruiker ⑤ Naam en adres van de handelaar (Stempel a.u.b. naam en adres vande de handelaar)</p>
<p>Deutsch</p> <p><u>GARANTIESCHEIN</u></p> <p>① Modell-Nr. ② Serien-Nr. ③ Kaufdatum ④ Name und Anschrift des Kunden ⑤ Name und Anschrift des Händlers (Bitte mit Namen und Anschrift des Handlers abstempeln)</p>	<p>Español</p> <p><u>CERTIFICADO DE GARANTIA</u></p> <p>① Número de modelo ② Número de serie ③ Fecha de adquisición ④ Nombre y dirección del cliente ⑤ Nombre y dirección del distribuidor (Se ruega poner el sellú del distribuidor con su nombre y dirección)</p>
<p>Français</p> <p><u>CERTIFICAT DE GARANTIE</u></p> <p>① No. de modèle ② No. de série ③ Date d'achat ④ Nom et adresse du client ⑤ Nom et adresse du revendeur (Cachet portant le nom et l'adresse du revendeur)</p>	<p>Português</p> <p><u>CERTIFICADO DE GARANTIA</u></p> <p>① Número do modelo ② Número do série ③ Data de compra ④ Nome e morada do cliente ⑤ Nome e morada do distribuidor (Por favor, carimbe o nome e morada do distribuidor)</p>
<p>Italiano</p> <p><u>CERTIFICATO DI GARANZIA</u></p> <p>① Modello ② N° di serie ③ Data di acquisto ④ Nome e indirizzo dell'acquirente ⑤ Nome e indirizzo del rivenditore (Si prega di apporre il timbro con questi dati)</p>	<p>Ελληνικά</p> <p><u>ΠΙΣΤΟΠΟΙΗΤΙΚΟ ΕΓΓΥΗΣΗΣ</u></p> <p>① Αρ. Μοντέλου ② Αύξων Αρ. ③ Ημερομηνία αγοράς ④ Όνομα και διεύθυνση πελάτη ⑤ Όνομα και διεύθυνση μεταπωλητή (Παρακαλούμε να χρησιμοποιηθεί σφραγίδα)</p>



HIKOKI

①	
②	
③	
④	
⑤	



Hikoki Power Tools Deutschland GmbH

Siemensring 34, 47877 Willich, Germany

Tel: +49 2154 49930

Fax: +49 2154 499350

URL: <http://www.hikoki-powertools.de>

Hikoki Power Tools Netherlands B.V.

Brabanthaven 11, 3433 PJ Nieuwegein, The Netherlands

Tel: +31 30 6084040

Fax: +31 30 6067266

URL: <http://www.hikoki-powertools.nl>

Hikoki Power Tools (U.K.) Ltd.

Precedent Drive, Rooksley, Milton Keynes, MK 13, 8PJ,

United Kingdom

Tel: +44 1908 660663

Fax: +44 1908 606642

URL: <http://www.hikoki-powertools.uk>

Hikoki Power Tools France S.A.S.

Parc de l'Eglantier 22, rue des Cerisiers, Lisses-C.E. 1541,

91015 EVRY CEDEX, France

Tel: +33 1 69474949

Fax: +33 1 60861416

URL: <http://www.hikoki-powertools.fr>

Hikoki Power Tools Belgium N.V./S.A.

Koningin Astridlaan 51, B-1780 Wemmel, Belgium

Tel: +32 2 460 1720

Fax: +32 2 460 2542

URL: <http://www.hikoki-powertools.be>

Hikoki Power Tools Italia S.p.A

Via Piave 35, 36077, Altavilla Vicentina (VI), Italy

Tel: +39 0444 548111

Fax: +39 0444 548110

URL: <http://www.hikoki-powertools.it>

Hikoki Power Tools Ibérica, S.A.

C/ Puigbarral, 26-28, Pol. Ind. Can Petit, 08227 Terrassa

(Barcelona), Spain

Tel: +34 93 735 6722

Fax: +34 93 735 7442

URL: <http://www.hikoki-powertools.es>

Hikoki Power Tools Österreich GmbH


IndustrieZentrum NÖ –Süd, Straße 7, Obj. 58/A6 2355

Wiener Neudorf, Austria

Tel: +43 2236 64673/5

Fax: +43 2236 63373

URL: <http://www.hikoki-powertools.at>

<p>English</p> <p>EC DECLARATION OF CONFORMITY</p> <p>We declare under our sole responsibility that Hand Shear, identified by type and specific identification code *1), is in conformity with all relevant requirements of the directives *2) and standards *3). Technical file at *4) – See below. The European Standard Manager at the representative office in Europe is authorized to compile the technical file. The declaration is applicable to the product affixed CE marking.</p>	<p>Nederlands</p> <p>EC VERKLARING VAN CONFORMITEIT</p> <p>Wij verklaren onder onze eigen verantwoordelijkheid dat Platenschaar, geïdentificeerd door het type en de specifieke identificatiecode *1), voldoet aan alle relevante bepalingen van de richtlijnen *2) en normen *3). Technische documentatie bij *4) – zie onder. De Europese Normen Manager bij de vertegenwoordiging in Europa is gemachtigd om het technisch dossier samen te stellen. Deze verklaring is van toepassing op producten voorzien van de CE-markeringen.</p>
<p>Deutsch</p> <p>EG-KONFORMITÄTSERKLÄRUNG</p> <p>Wir erklären in alleiniger Verantwortung, dass die durch den Typ und den spezifischen Identifizierungscode *1) identifizierte Schere allen einschlägigen Bestimmungen der Richtlinien *2) und Normen *3) entspricht. Technische Unterlagen unter *4) – Siehe unten. Die Leitung der repräsentativen Behörde für europäische Normen und Richtlinien ist berechtigt, die technischen Unterlagen zusammenzustellen. Die Erklärung gilt für die an dem Produkt angebrachte CE-Kennzeichnung.</p>	<p>Español</p> <p>DECLARACIÓN DE CONFORMIDAD DE LA CE</p> <p>Declaramos bajo nuestra única responsabilidad que la Cizalla, identificada por tipo y por código de identificación específico *1), está en conformidad con todas las disposiciones correspondientes de las directivas *2) y de las normas *3). Documentación técnica en *4) – Ver a continuación. El Director de Normas Europeas en la oficina de representación en Europa está autorizado para elaborar el expediente técnico. La declaración se aplica al producto con marcas de la CE.</p>
<p>Français</p> <p>DECLARATION DE CONFORMITE CE</p> <p>Nous déclarons sous notre entière responsabilité que la Cisaille, identifiée par le type et le code d'identification spécifique *1) est en conformité avec toutes les exigences applicables des directives *2) et des normes *3). Dossier technique en *4) – Voir ci-dessous. Le Gestionnaire des normes européennes du bureau de représentation en Europe est autorisé à constituer le dossier technique. Cette déclaration s'applique aux produits désignés CE.</p>	<p>Português</p> <p>DECLARAÇÃO DE CONFORMIDADE CE</p> <p>Declaramos, sob nossa única e inteira responsabilidade, que a Tesoura, identificada por tipo e código de identificação específico *1), está em conformidade com todos os requerimentos relevantes das diretivas *2) e normas *3). Ficheiro técnico em *4) – Consulte abaixo. O Gestor de Normas Europeias no escritório de representação na Europa está autorizado a compilar o ficheiro técnico. A declaração aplica-se aos produtos com marca CE.</p>
<p>Italiano</p> <p>DICHIARAZIONE DI CONFORMITÀ CE</p> <p>Dichiariamo sotto la nostra esclusiva responsabilità che la Cesovia, identificata dal tipo e dal codice identificativo specifico *1), è conforme a tutti i requisiti delle direttive *2) e degli standard *3). Documentazione tecnica presso *4) – Vedere sotto. Il gestore delle norme europee presso l'ufficio di rappresentanza in Europa è autorizzato a compilare il fascicolo tecnico. La dichiarazione è applicabile ai prodotti cui sono applicati i marchi CE.</p>	<p>Ελληνικά</p> <p>ΕΚ ΔΗΛΩΣΗ ΕΝΑΡΜΟΝΙΣΜΟΥ</p> <p>Δηλώνουμε με αποκλειστική μας ευθύνη ότι το Ψαλίδι Λαμαρίνας, του οποίου προσδιορίζεται από τον τύπο και ειδικό αναγνωριστικό κωδικό *1), είναι σύμφωνο με όλες τις σχετικές απαιτήσεις των Οδηγιών *2) και με τα σχετικά πρότυπα *3). Τεχνικό Αρχείο στο *4) – Δείτε παρακάτω. Ο Διαχειριστής Ευρωπαϊκών Προτύπων στο γραφείο εκπροσώπησης στην Ευρώπη είναι εξουσιοδοτημένος για τη σύνταξη του τεχνικού φακέλου. Η δήλωση ισχύει μόνο για το προϊόν που είναι τοποθετημένη η σήμανση CE.</p>
<p>*1) CE16SA C350822S *2) 2006/42/EC, 2014/30/EU, 2011/65/EU *3) EN62841-1:2015 EN62841-2-8:2016 EN55014-1:2006+A1:2009+A2:2011 EN55014-2:1997+A1:2001+A2:2008 EN61000-3-2:2014 EN61000-3-3:2013</p>	
<p>*4) Representative office in Europe Hikoki Power Tools Deutschland GmbH Siemensring 34, 47877 Willich, Germany</p> <p>Head office in Japan Koki Holdings Co., Ltd. Shinagawa Intercity Tower A, 15-1, Konan 2-chome, Minato-ku, Tokyo, Japan</p>	<p>29. 6. 2019 Naoto Yamashiro European Standard Manager</p> <p>29. 6. 2019  A. Nakagawa Corporate Officer</p> 