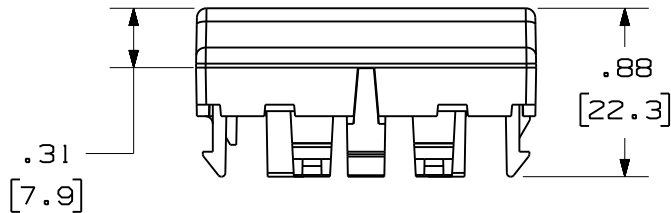
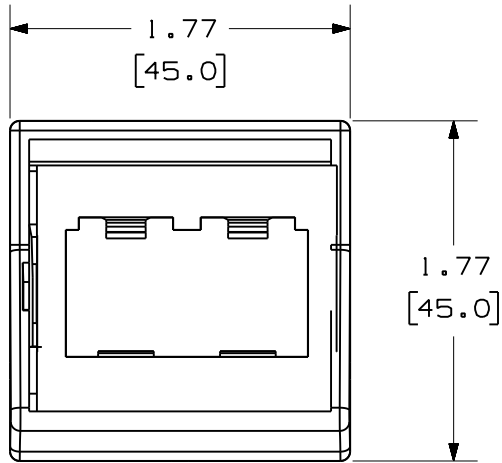


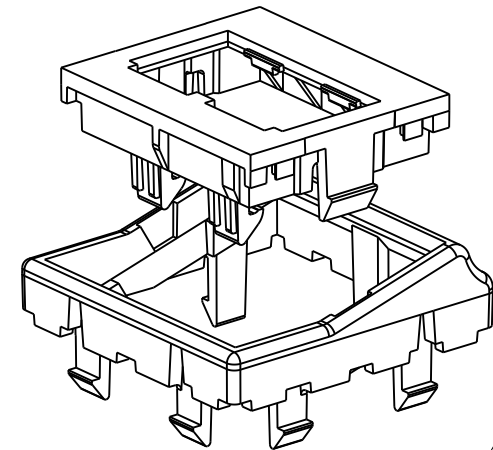
THIS COPY IS PROVIDED ON A RESTRICTED BASIS AND IS NOT TO BE USED IN ANY WAY DETRIMENTAL TO THE INTERESTS OF PANDUIT CORP.



PANDUIT P/N	WEIGHT
CFPFF2**	.21 LB/10 PCS (93.5 g/10 PCS)

NOTES:

1. SEE CURRENT CATALOG FOR ADDITIONAL PART NUMBER SUFFIXES TO INDICATE COLOR AND OR PACKAGE QUANTITY.
2. SEE CATALOG FOR COMPLETE LIST OF PARTS APPLICABLE FOR USE WITH THIS PART.
3. DIMENSIONS IN PARENTHESES ARE IN METRIC.
4. PART INCLUDES:  
1- 45 X 45 ADAPTER  
1- FLAT INSERT



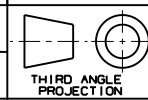
MODEL FILENAME	SIZE
DRAWING FILENAME	A
M00142CB_DC/00B	

45 X 45 FRENCH ADAPTER KIT  
CUSTOMER DRAWING

**PANDUIT**<sup>®</sup>  
TINLEY PARK, IL 60487

I.I. NUMBER
PRODUCT SPEC/ PKG SPEC
ASSY METHOD/ TEST METHOD
SCALE
PART NO.
DRAWING NO.

ALL DIMENSIONS ARE GIVEN IN INCHES,  
UNLESS OTHERWISE SPECIFIED,  
DIMENSIONAL TOLERANCES ARE:  
(.X) ± (.XXX) ±.010(.3)  
(.XX) ±.03(.8) ANGLES ±



DRAWN BY JsP	REVIEW DRAWING NUMBERS	PART NO. CFPFF2**
DATE 10-8-99	MAT'L	DRAWING NO. 00142-27
CHK'D CEF		

REV	DATE	BY	CHK	DESCRIPTION	ECN	R	CUST	SUP	OTH
I	7-17-12	BJN	JSP	A. ROTATED EXPLODED VIEW 180°	00142-27	JSP	JSP		
R	10-8-99	JsP	CEF	RELEASED TO PRODUCTION.	00142-27	CEF	CEF		