

Part number

# CHIS 24



Bulkhead mounting housing, EMC series, with 2 levers, size "104.27"

Product description		Material properties	
<b>Product type</b>	Bulkhead mounting housing	<b>Other materials</b>	Lever: Stainless steel, polyamide (PA) Gasket: Conductive elastomer
<b>Series</b>	EMC	<b>RoHs conformity</b>	Compliant
<b>Closing type</b>	With 2 levers	<b>China RoHs - EFUP</b>	E
<b>Size</b>	Size 104.27	<b>REACH SVHC substances</b>	No
<b>Cable entry</b>	Without cable entry	Approvals / Standards	
Technical data		<b>Certifications</b>	DNV, BV
<b>IP degree of protection</b>	IP65 / IP66 / IP69	<b>UL</b>	ECBT2
Further technical details		<b>cUL</b>	ECBT8
<b>Weight</b>	183,00 g	General ordering information	
<b>Operating temperature range (min, max)</b>	-40°C...+125°C	<b>EAN13 code</b>	8015747019309
		<b>eCl@ss 8.1</b>	27440202
		<b>ETIM 7.0</b>	EC000437
		Packaging Information	
		<b>Packaging length</b>	365,00 mm
		<b>Packaging height</b>	195,00 mm
		<b>Packaging width</b>	305,00 mm
		<b>Packaging weight</b>	7,80 kg
		<b>Packaging volume</b>	21,71 dm <sup>3</sup>
		<b>Packaging description</b>	Carton box
		<b>Packaging quantity</b>	40 Pcs
		<b>Packaging EAN code</b>	8015747109086
		<b>Sub-packaging weight</b>	0,98 kg
		<b>Sub-packaging description</b>	Plastic packaging
		<b>Sub-packaging quantity</b>	5 Pcs
		<b>Sub-packaging EAN barcode</b>	8015747109093

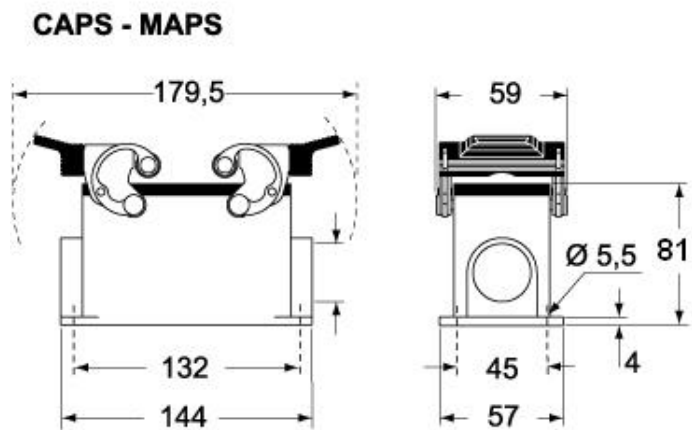
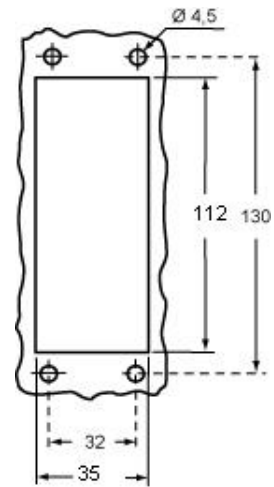
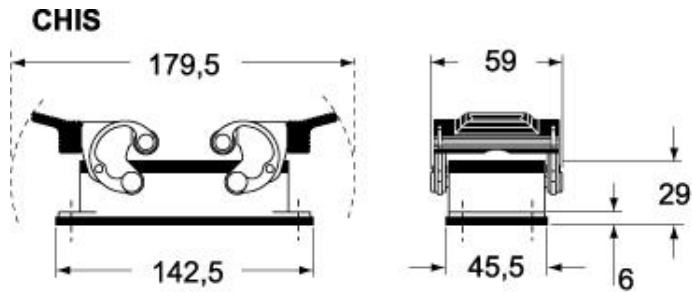
Part number

# CHIS 24



Catalogue drawings

Catalogue drawings



**CHCS**



## Notes

Dimensions shown in mm are not binding and may be changed without notice.