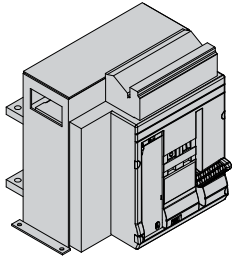
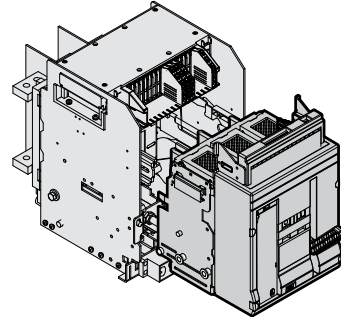
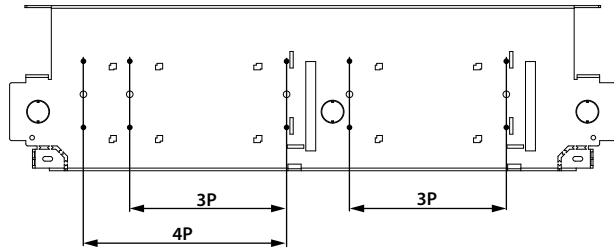


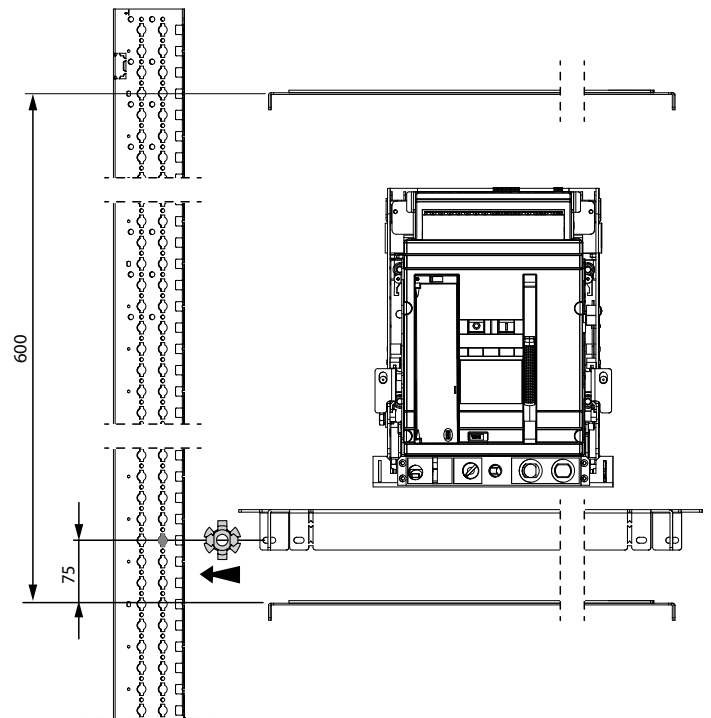
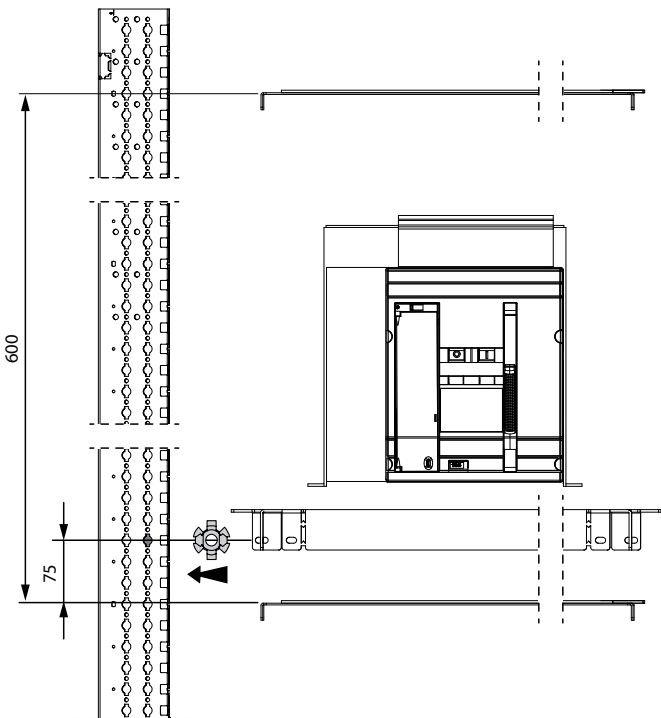
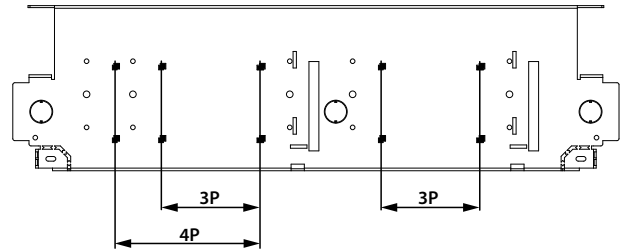
0 207 81
L = 975
3P/4P

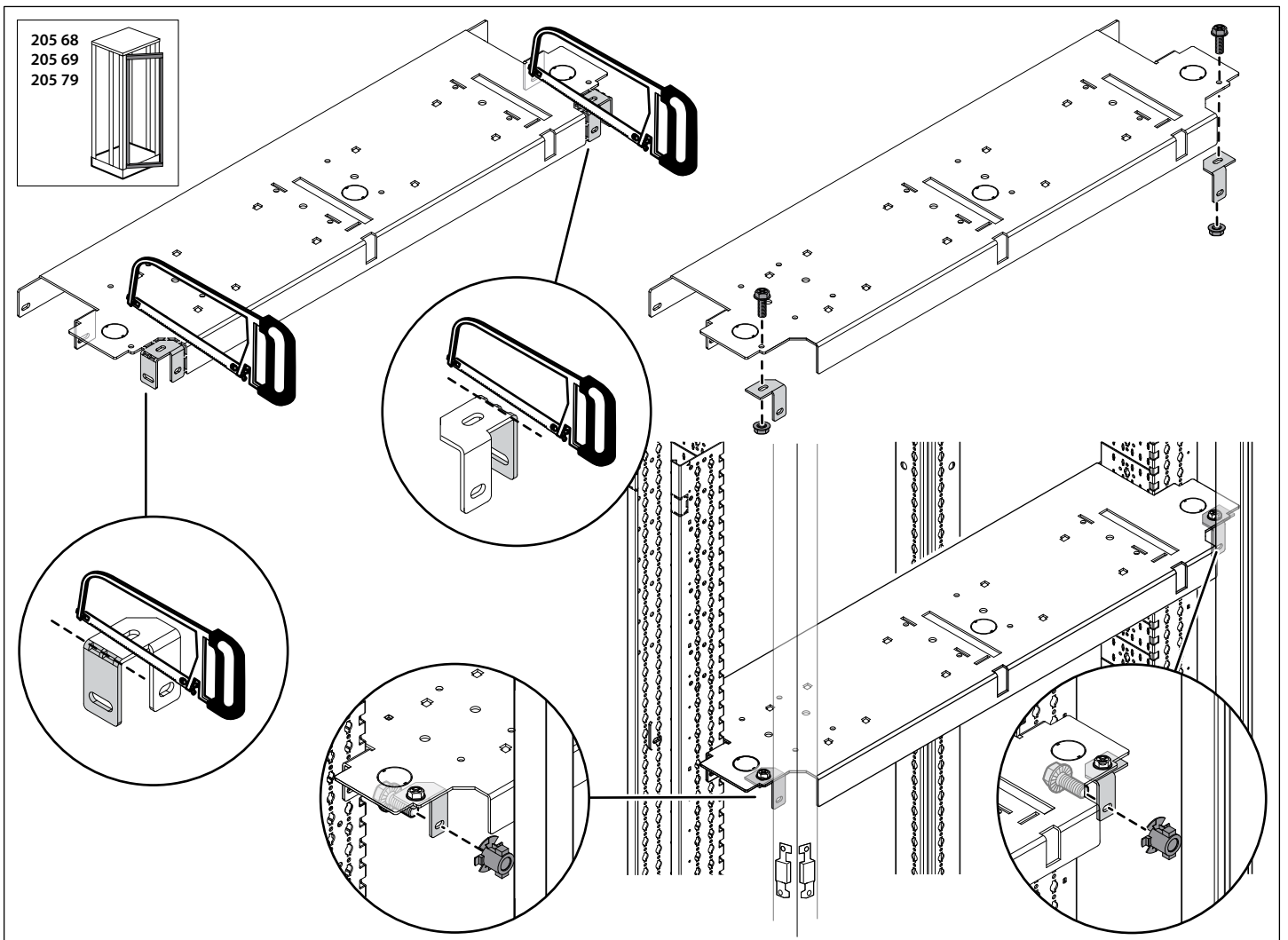
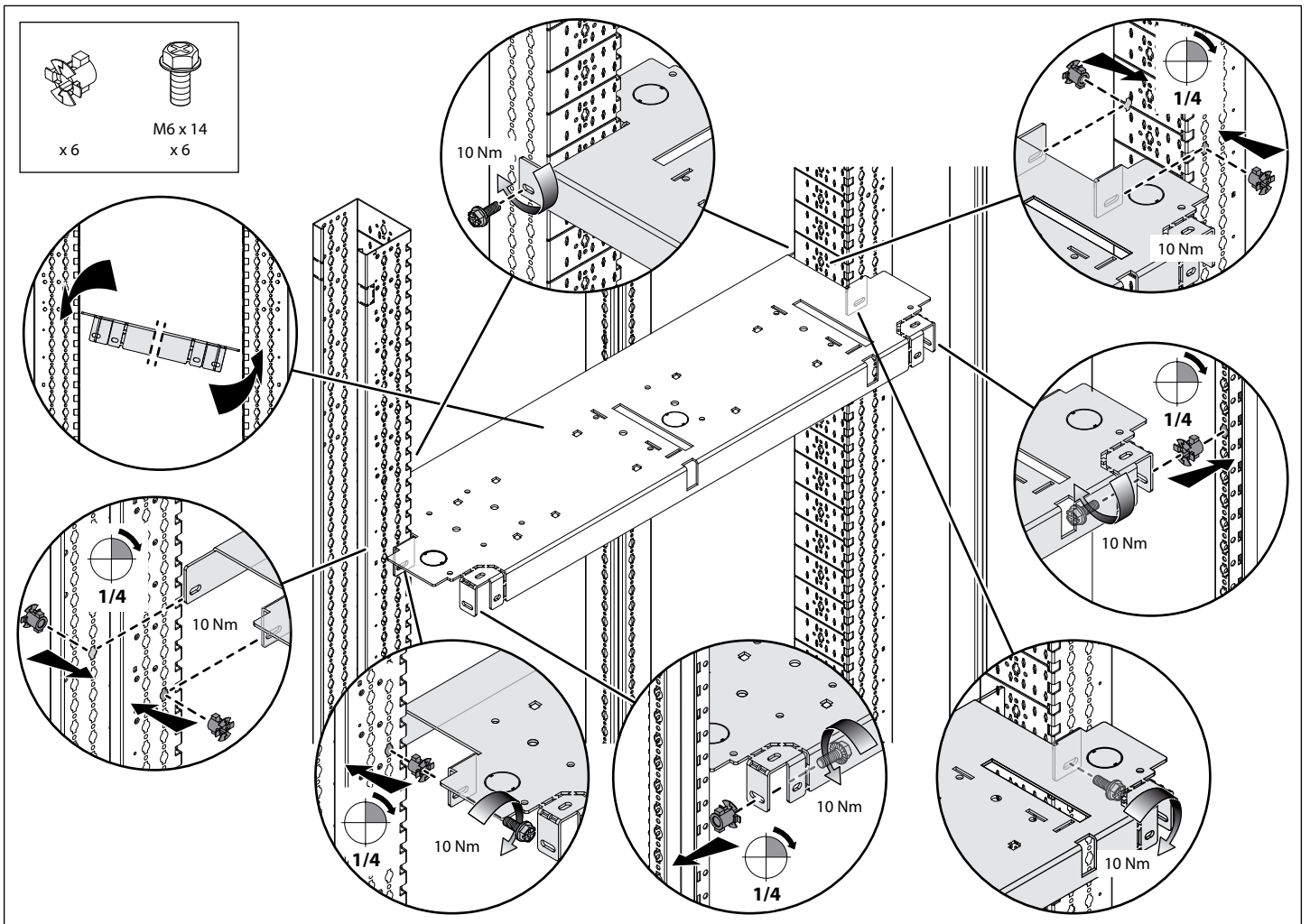


3P/4P

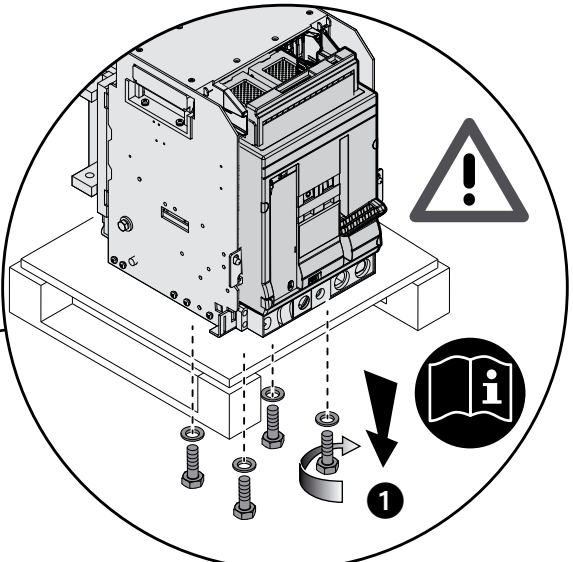
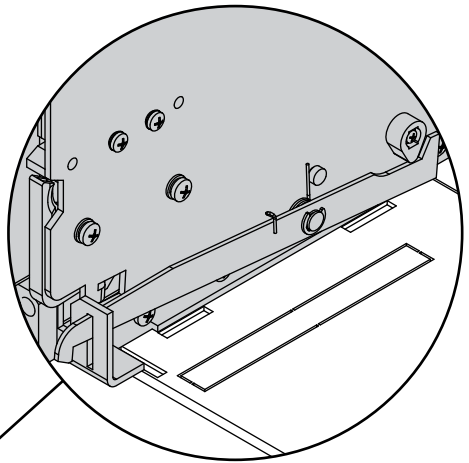
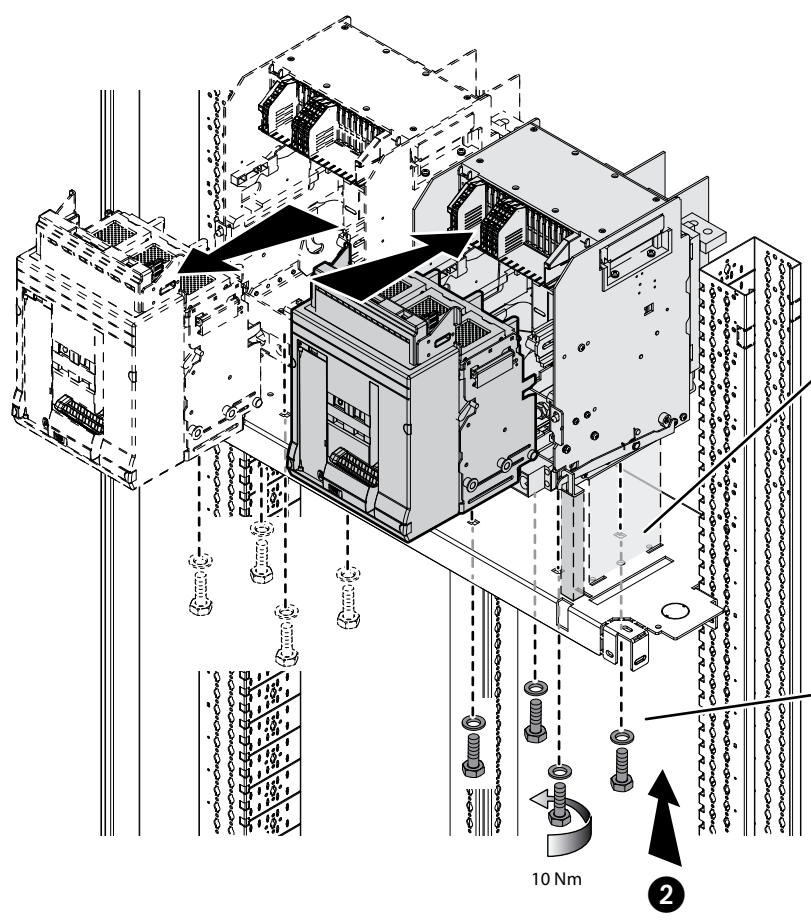
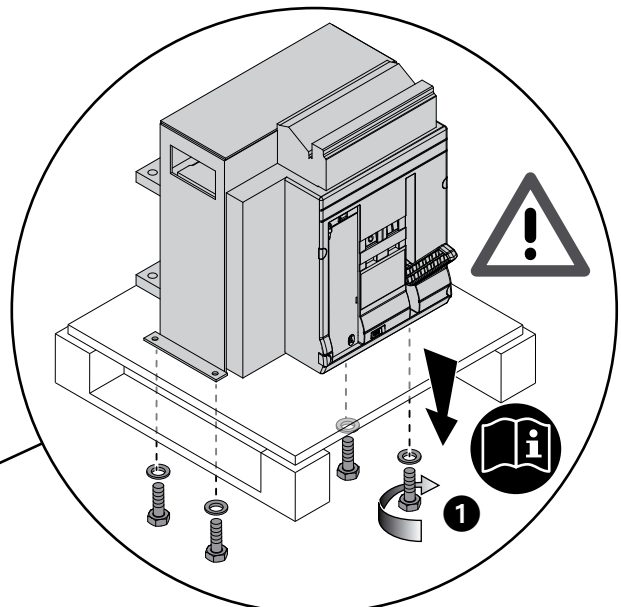
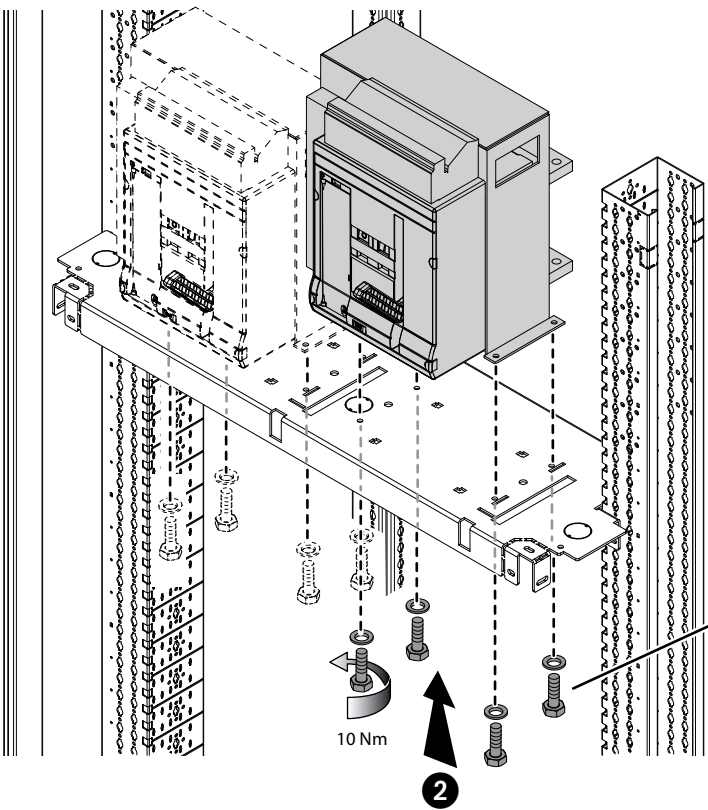


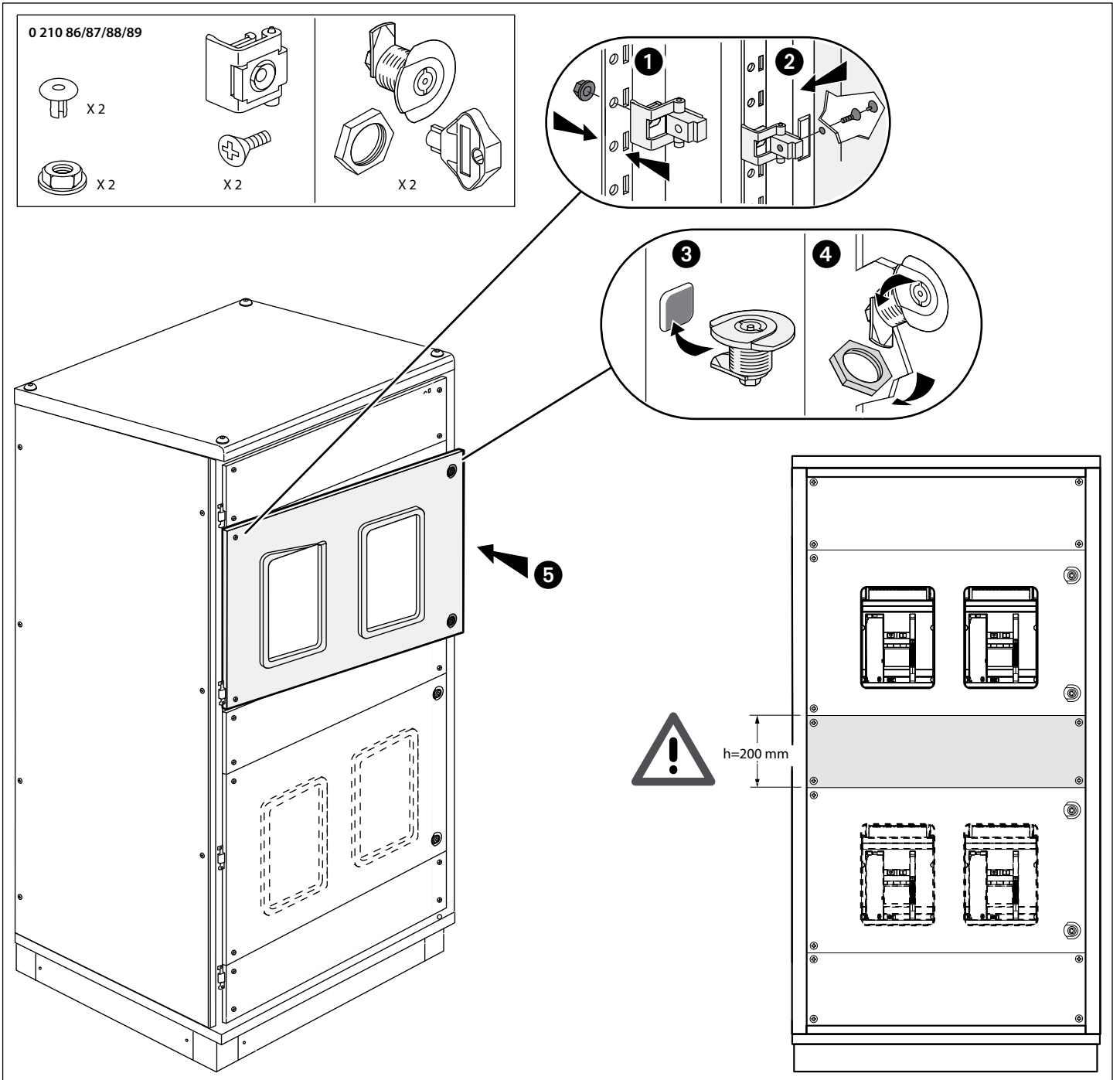
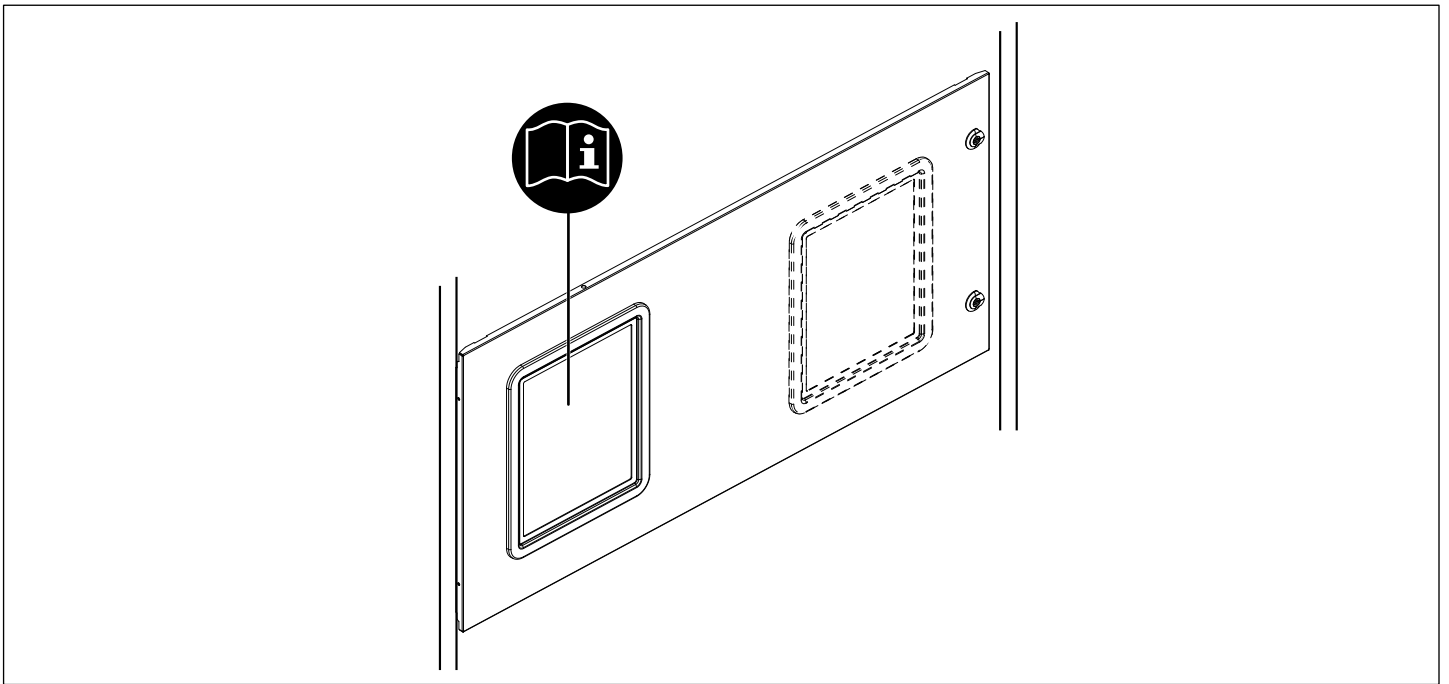
3P/4P

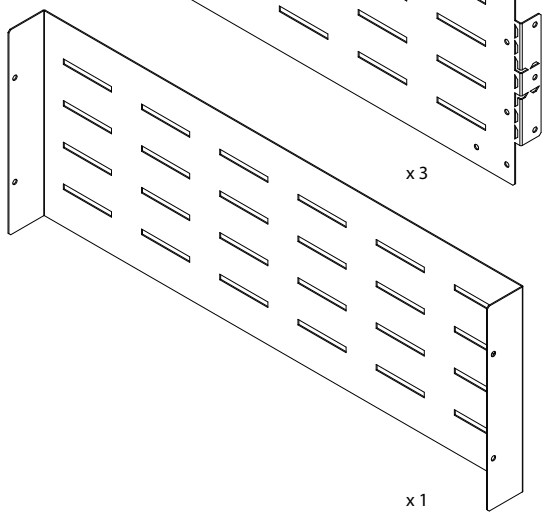
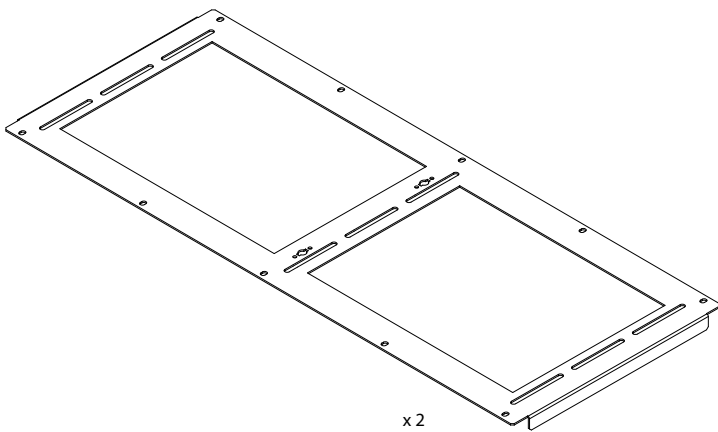
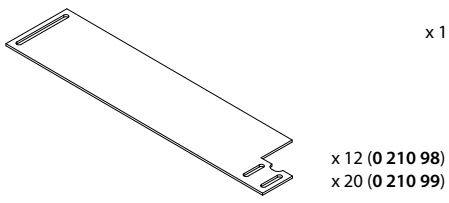
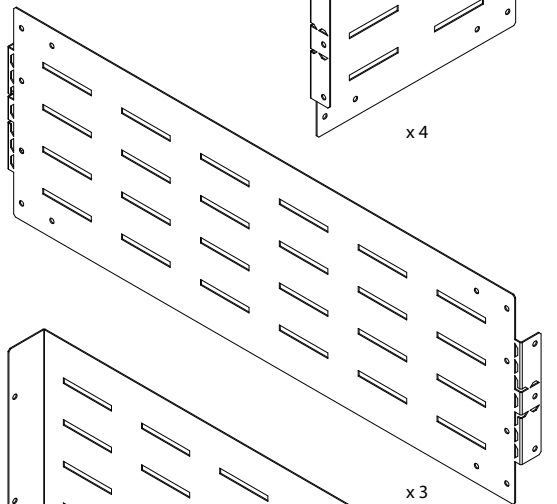
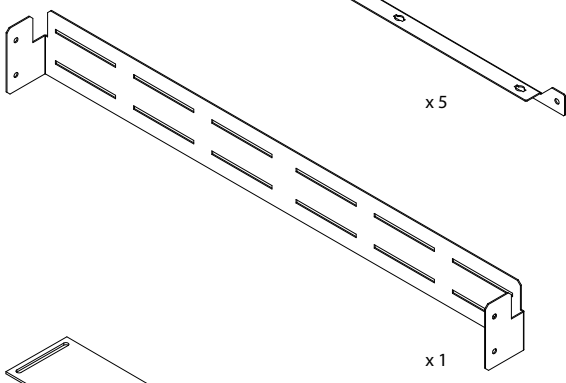
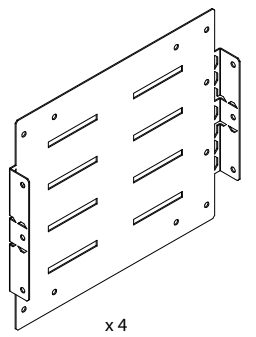
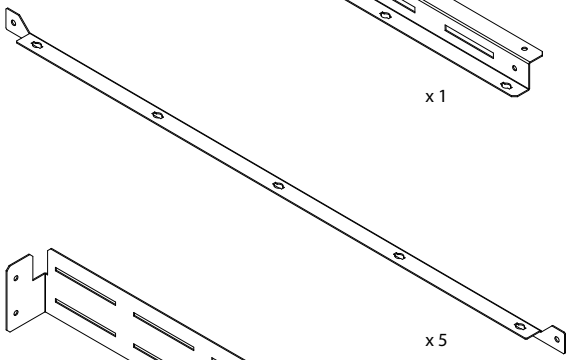
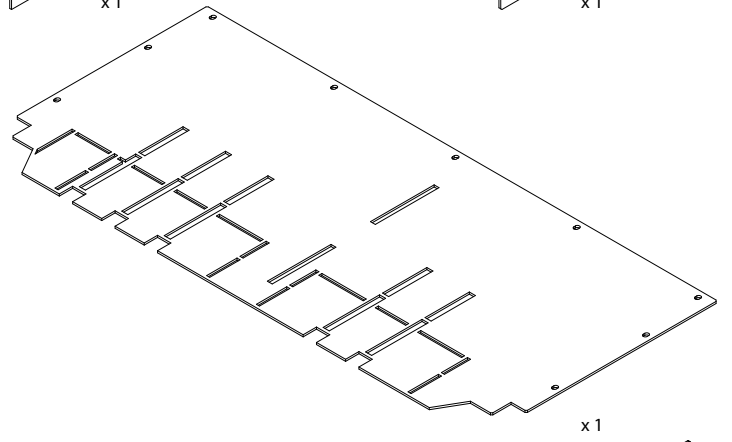
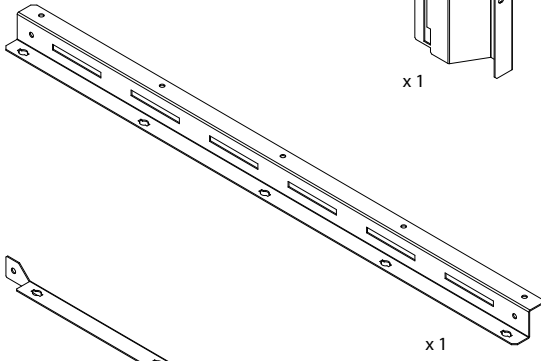
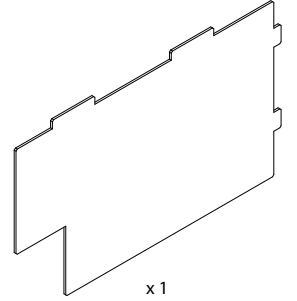
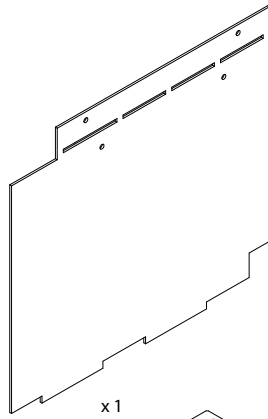
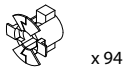
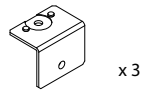
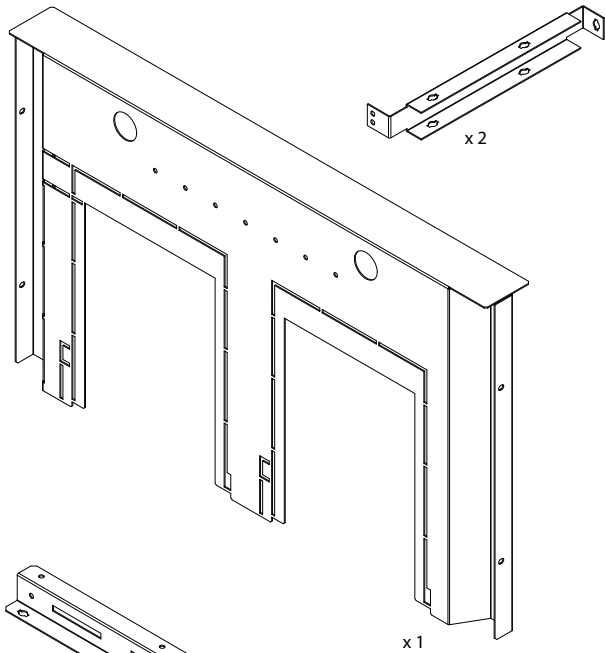




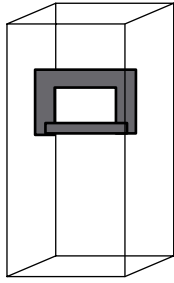
3P/4P	3P/4P
-------	------------------



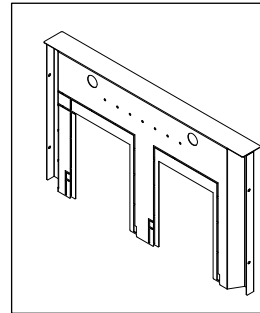




0 210 98/99



4 b



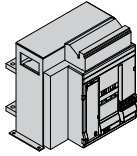
x 1



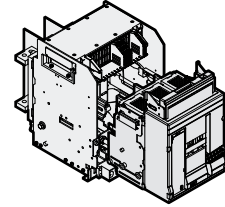
M6 x 14
x 4



x 4

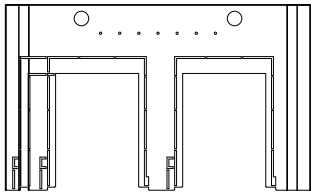


3/4P



3/4P

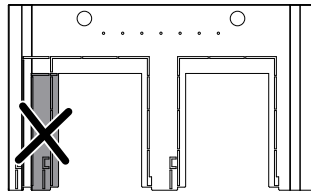
3 P



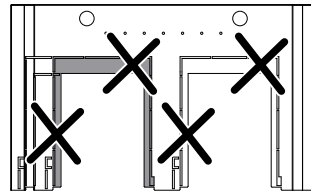
4 P



3 P



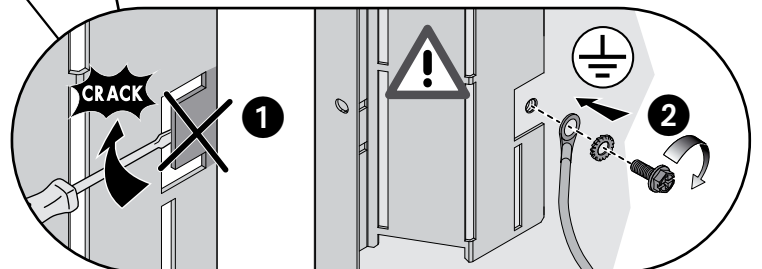
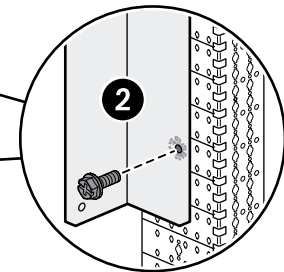
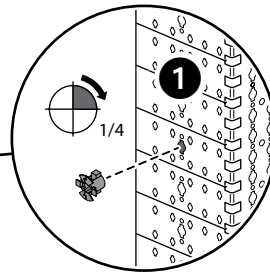
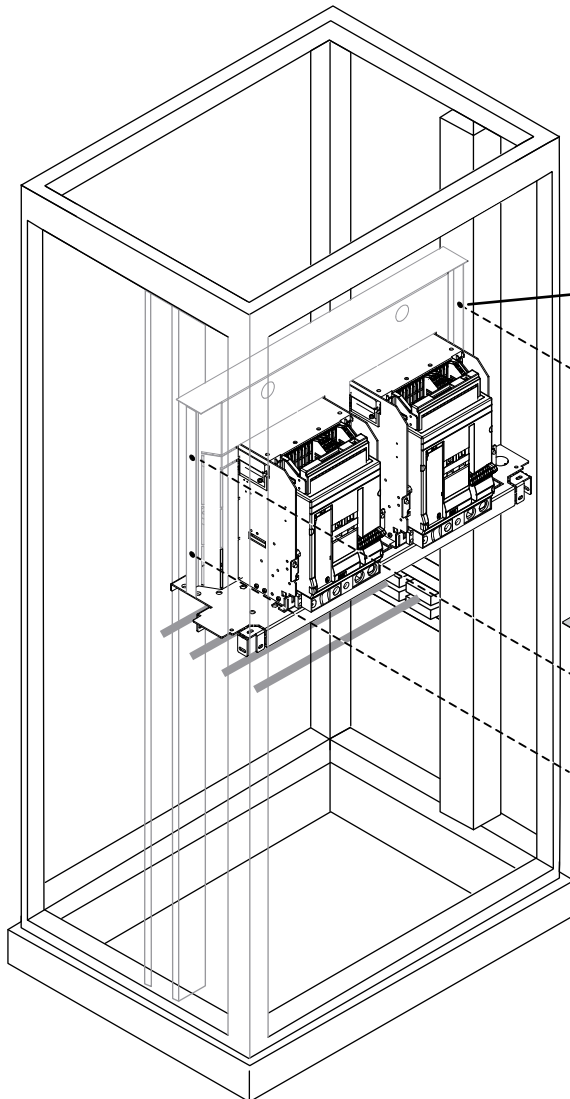
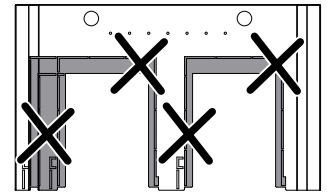
3 P

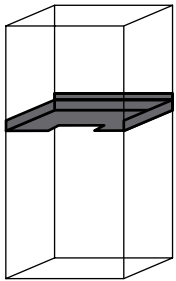


4 P



3 P





4b

