



Product designation				Time relay
Product type designation				L48M
<b>General characteristics</b>				
Description				Multifunction time relay, multiscale and multivoltage
Function				Multifunction
<b>Supply circuit</b>				
Rated auxiliary supply voltage $U_s$				24...240VAC/DC
Rated auxiliary supply voltage $U_s$				
AC		min	VAC	24
		Max	VAC	240
DC		min	VDC	24
		Max	VDC	240
Rated frequency			Hz	50/60
Operating voltage range				0.85...1.1 $U_s$
Maximum power consumption / dissipation			W	6VA
Immunity time for microbreakings			ms	≤40
<b>Timing circuit</b>				
Time setting range				0.05s...10min
Setting accuracy			%	±5
Repeat accuracy			%	±0.5
Influence of voltage variation			%	±0.5
Resetting time		During timing	ms	≥100
		Elapsed time	ms	≥65
<b>Relay outputs</b>				
Number of relays			Nr.	2
Contact arrangement				2 delayed C/O
Maximum switching voltage			VAC	250
IEC Conventional free air thermal current $I_{th}$			A	5
UL/CSA and IEC/EN 60947-5-1 designation				B300
<b>Insulation (input-output)</b>				
Rated insulation voltage $U_i$			V	250
Power frequency withstand voltage			kV	2
<b>Operations</b>				
Mechanical life			cycles	30000000
Electrical life (with rated load)			cycles	100000
<b>Ambient conditions</b>				
Temperature				
Operating temperature		min	°C	-10
		max	°C	+60

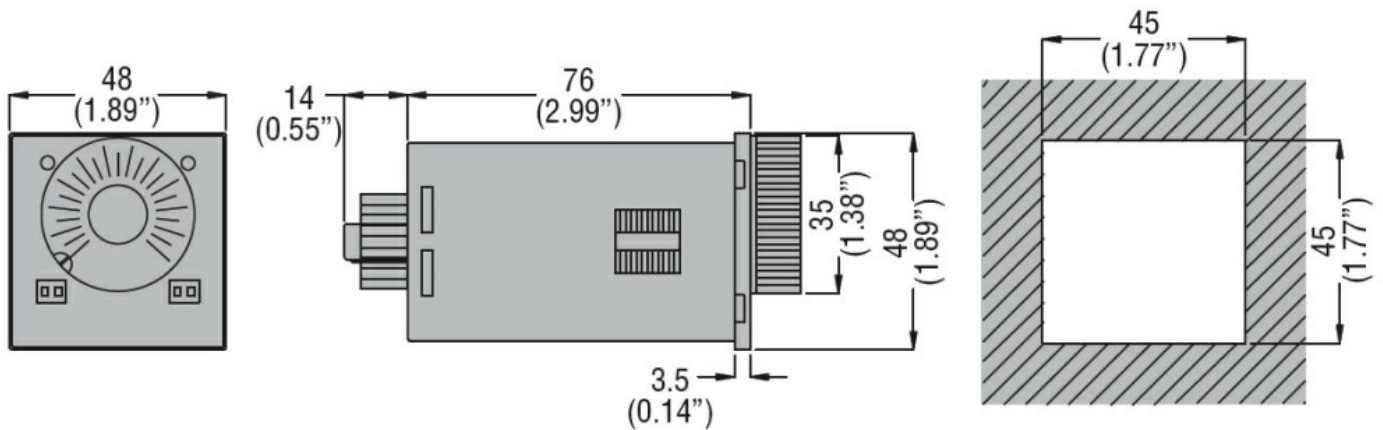
Storage temperature

min	°C	-30
max	°C	+80

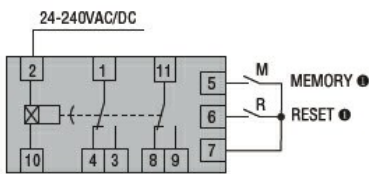
**Housing**

Material	Self-extinguishing polyamide
Mounting	Plug-in housing with 11-pin socket
Degree of protection	IP40 on front, IP20 terminals
Dimensions (W x H x D)	mm 48 x 48 x 90
Weight	g 135

**Dimensions**



**Wiring diagrams**



$T \text{ (preset time)} = T1 + T2$

● Contacts "M" and "R" are to be volt free (dry).

**Certifications and compliance**

**Compliance**

CSA C22.2 n°14  
IEC/EN 61812-1  
UL508

**Certificates**

cURus  
EAC

**ETIM classification**

ETIM 8.0

EC001439 -  
Timer relay