

Part number

MBV 24.40



Hood, BIG series, with 4 pegs, M40 top cable entry, size "104.27"

Product description

Product type	Hood
Series	BIG
Closing type	With 4 pegs
Size	Size 104.27
Cable entry	Top cable entry M40

Technical data

IP degree of protection	IP66
--------------------------------	------

Further technical details

Weight	670,00 g
Operating temperature range (min, max)	-40°C...+125°C

Material properties

Other materials	Gasket: NBR
Colour	RAL 7040 grey
RoHs conformity	Compliant
China RoHs - EFUP	E
REACH SVHC substances	No

Approvals / Standards

Certifications	DNV, BV
UL	ECBT2
cUL	ECBT8

General ordering information

EAN13 code	8015747187190
eCl@ss 8.1	27440202
ETIM 7.0	EC000437

Packaging Information

Packaging length	160,00 mm
Packaging height	130,00 mm
Packaging width	270,00 mm
Packaging weight	2,94 kg
Packaging volume	5,62 dm ³
Packaging description	Carton box
Packaging quantity	4 Pcs
Packaging EAN code	8015747220941
Sub-packaging weight	0,74 kg
Sub-packaging description	Plastic packaging
Sub-packaging quantity	1 Pcs
Sub-packaging EAN barcode	8015747040082

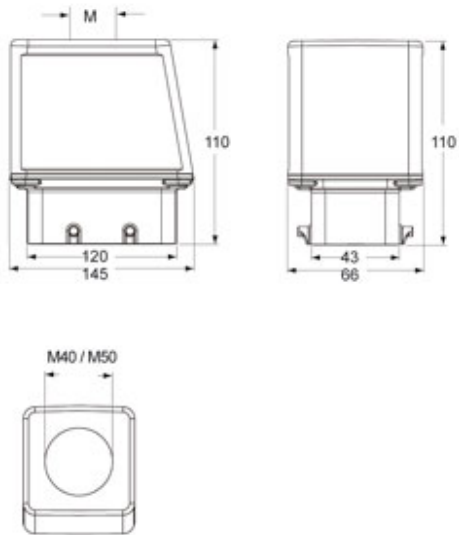
Part number

MBV 24.40



Catalogue drawings

MBV 24



Notes

Dimensions shown in mm are not binding and may be changed without notice.
