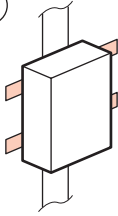
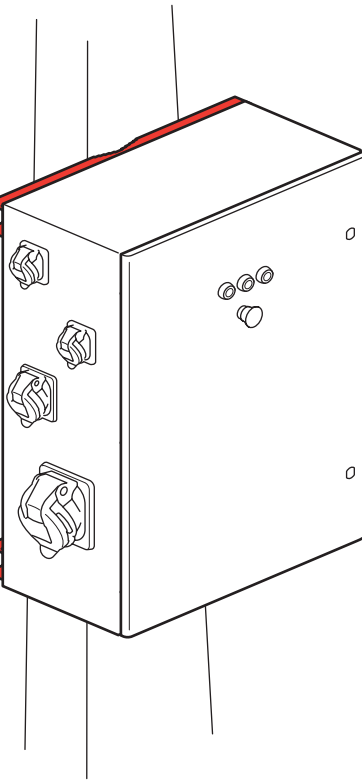
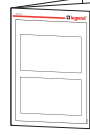


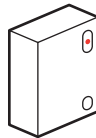
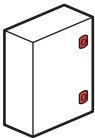
F



364 49

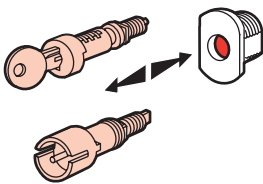


G

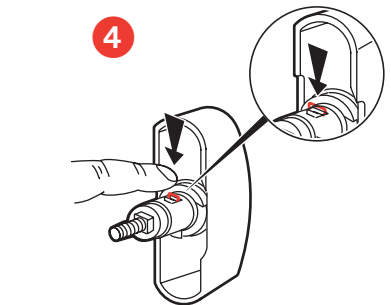
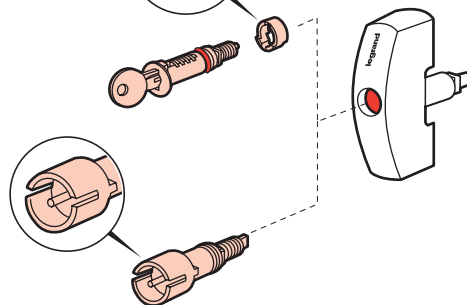
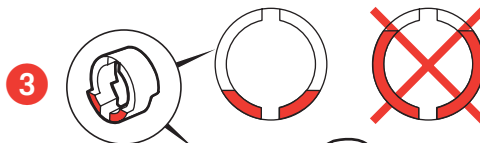
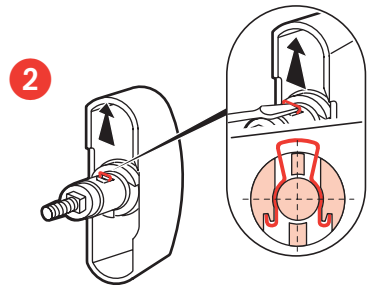
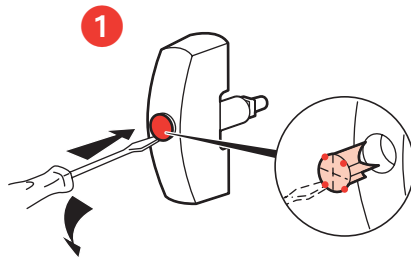


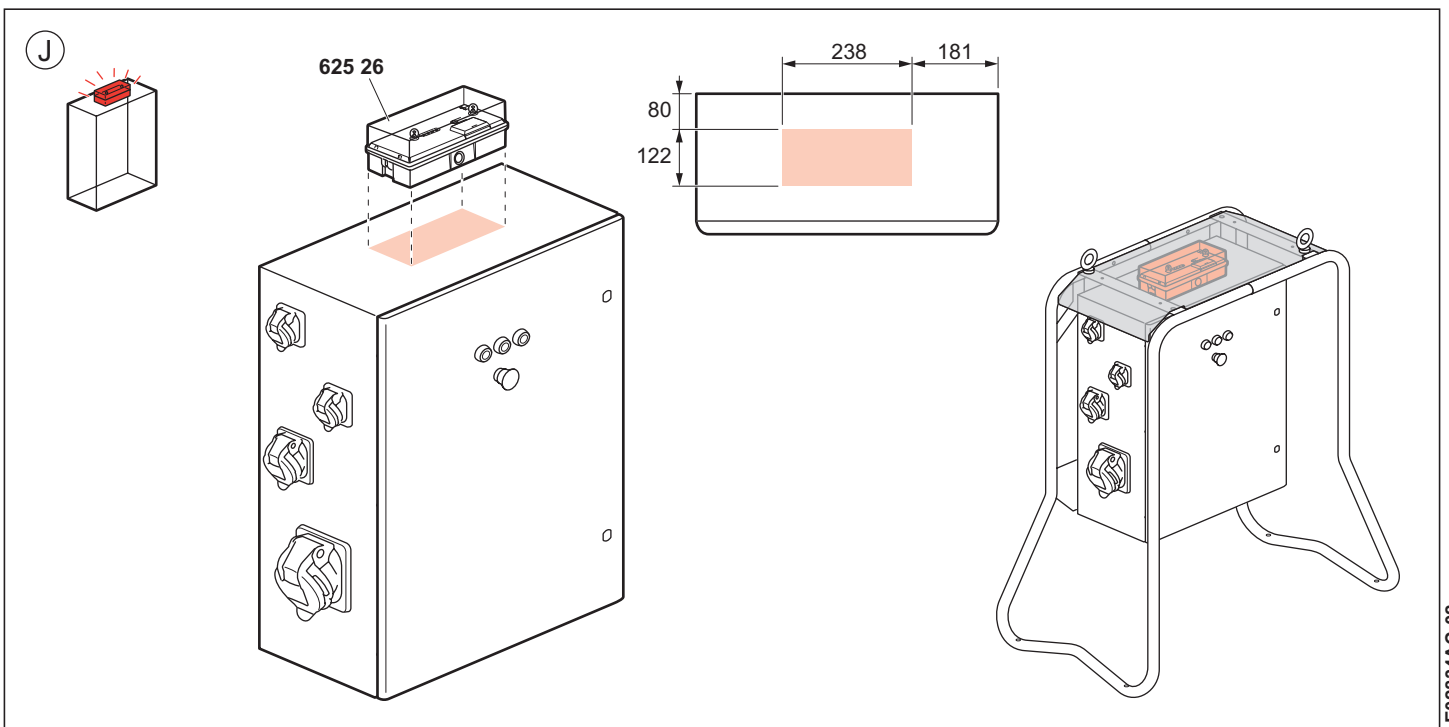
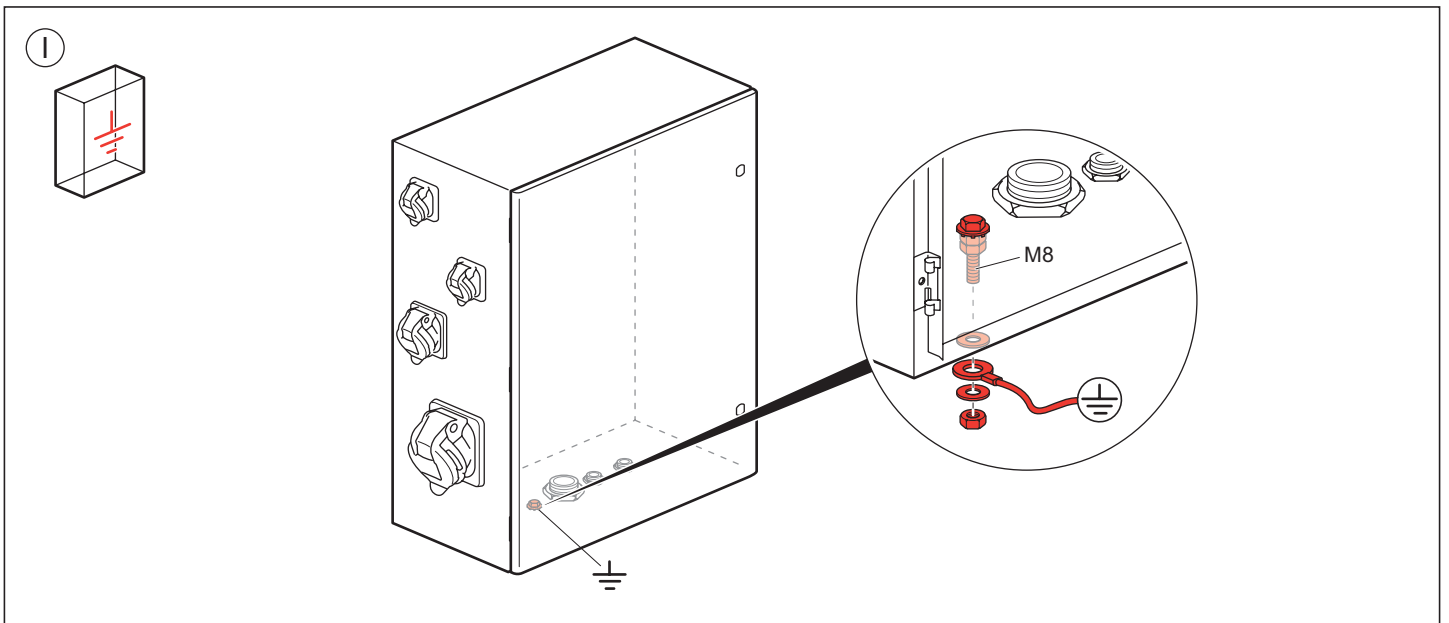
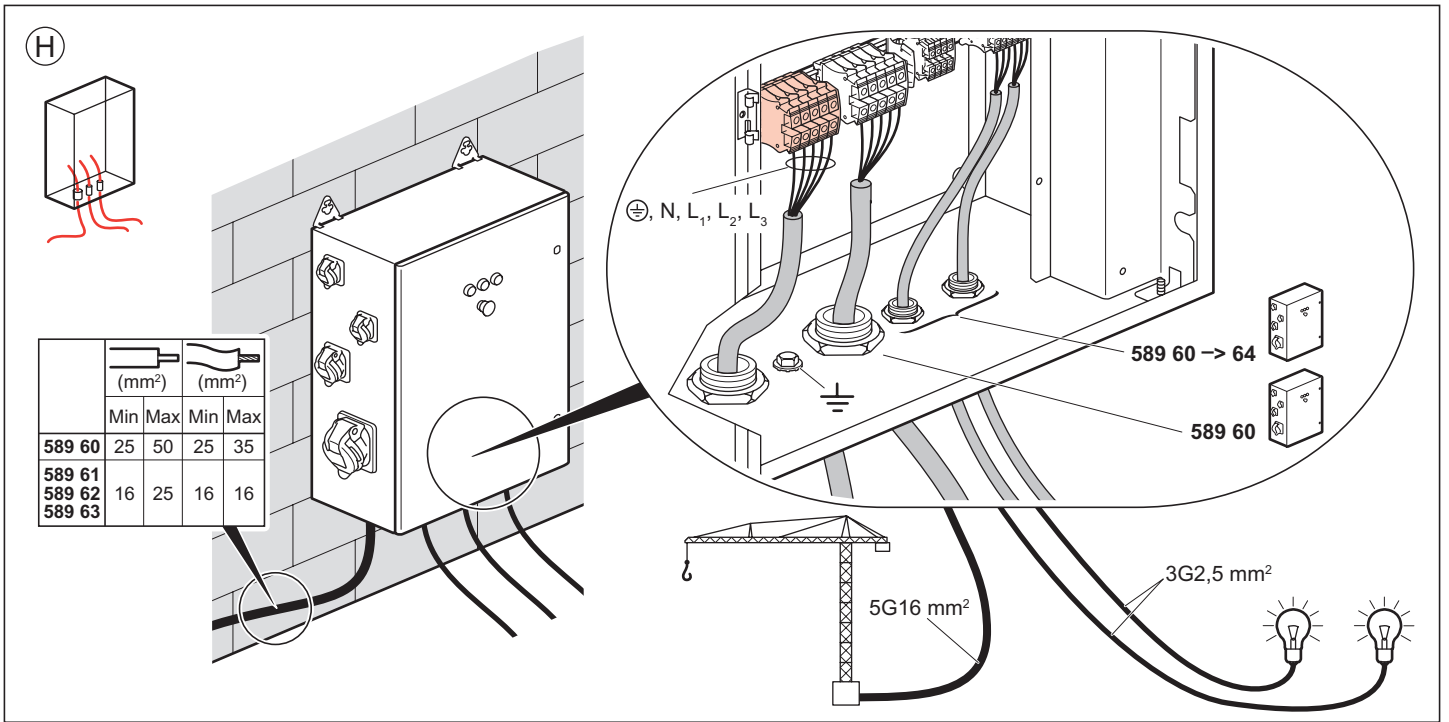
368 05/06

365 45  
368 22 → 27

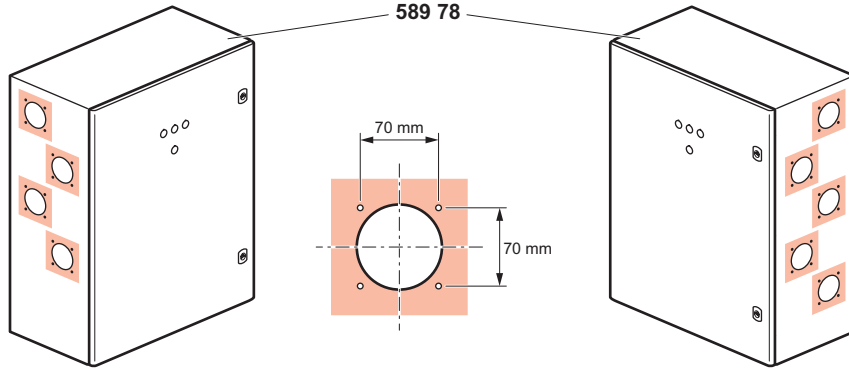
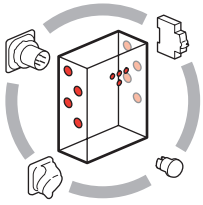


368 13/16 → 20

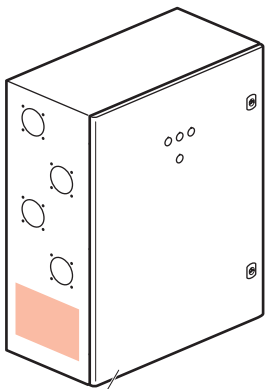
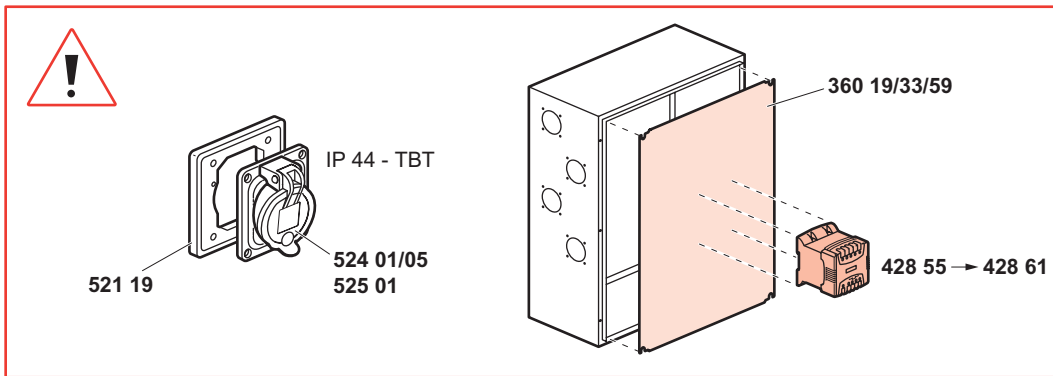
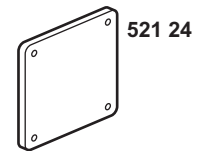
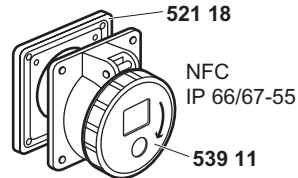
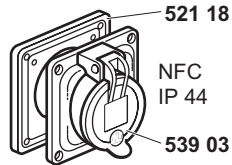
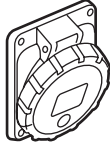
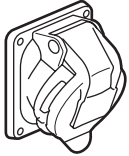




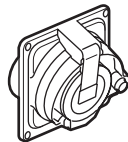
K



IEC 16/32 A  
IP44 IP 66/67 - 55

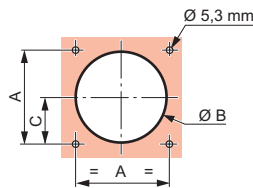


589 78

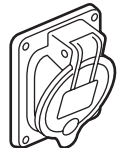


IP 44/55

536 01/02/03/04  
538 00/01/12

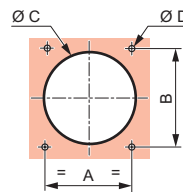


		A	ØB		C
			min.	max.	
63 A	2P+T 3P+T 3P+N+T	125	120	122	59,5

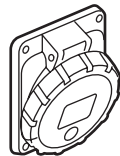


IP 44

538 23/24/33/34

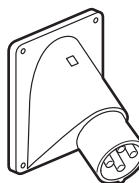


		A	B	ØC	ØD



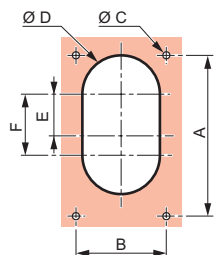
IP 66/67 - 55

593 26/27/28

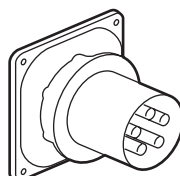


IP 44

537 63/64/73/74

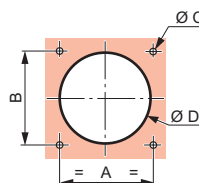


		A	B	ØC	ØD	E	F



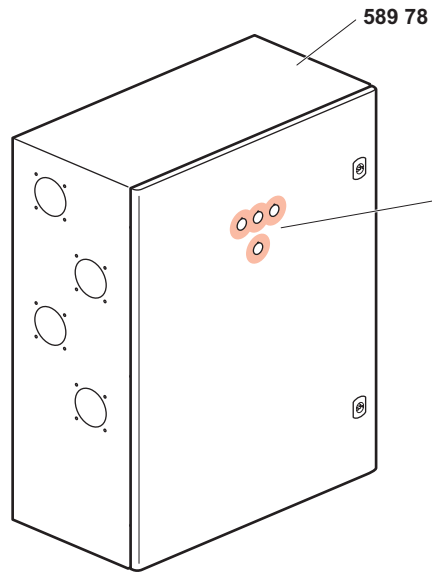
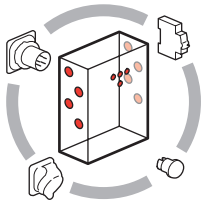
IP 66/67 - 55

593 76  
594 77/78



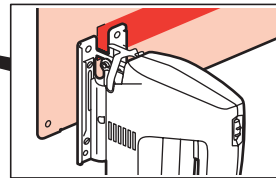
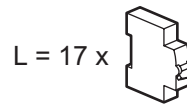
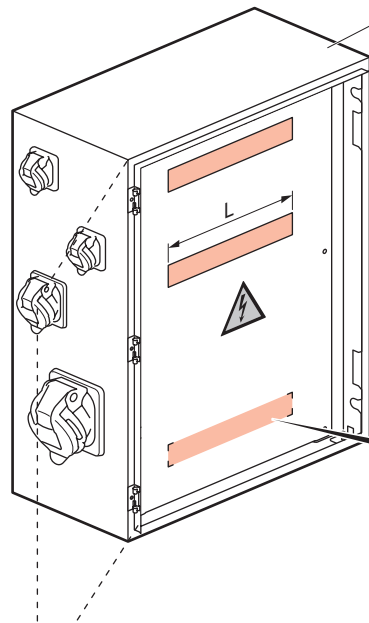
		A	B	ØC	ØD

K

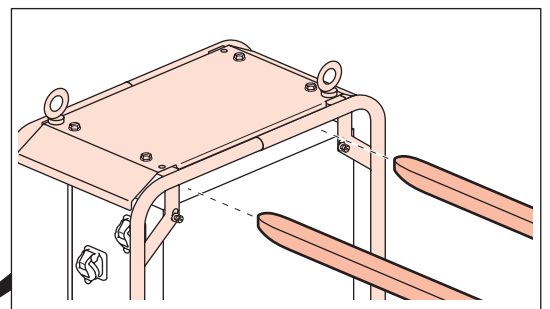
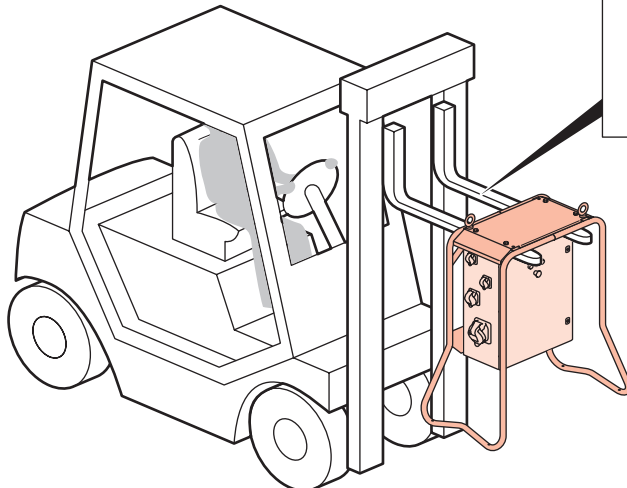
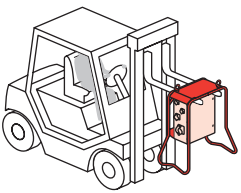


Ozmoz Ø 22

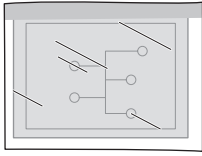
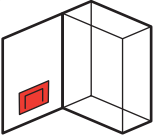
589 78



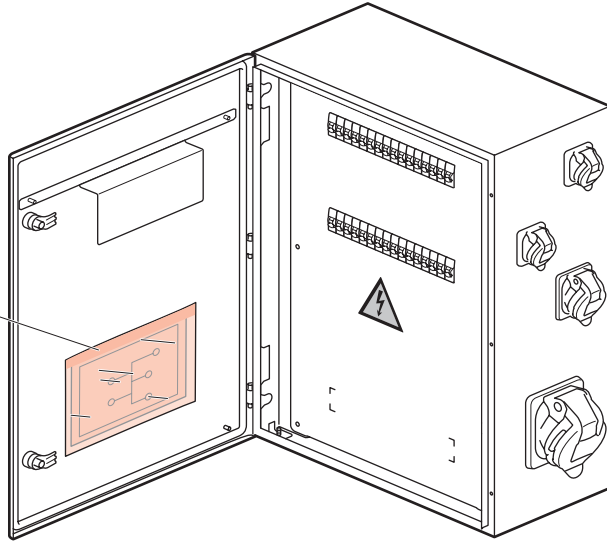
L



(M)



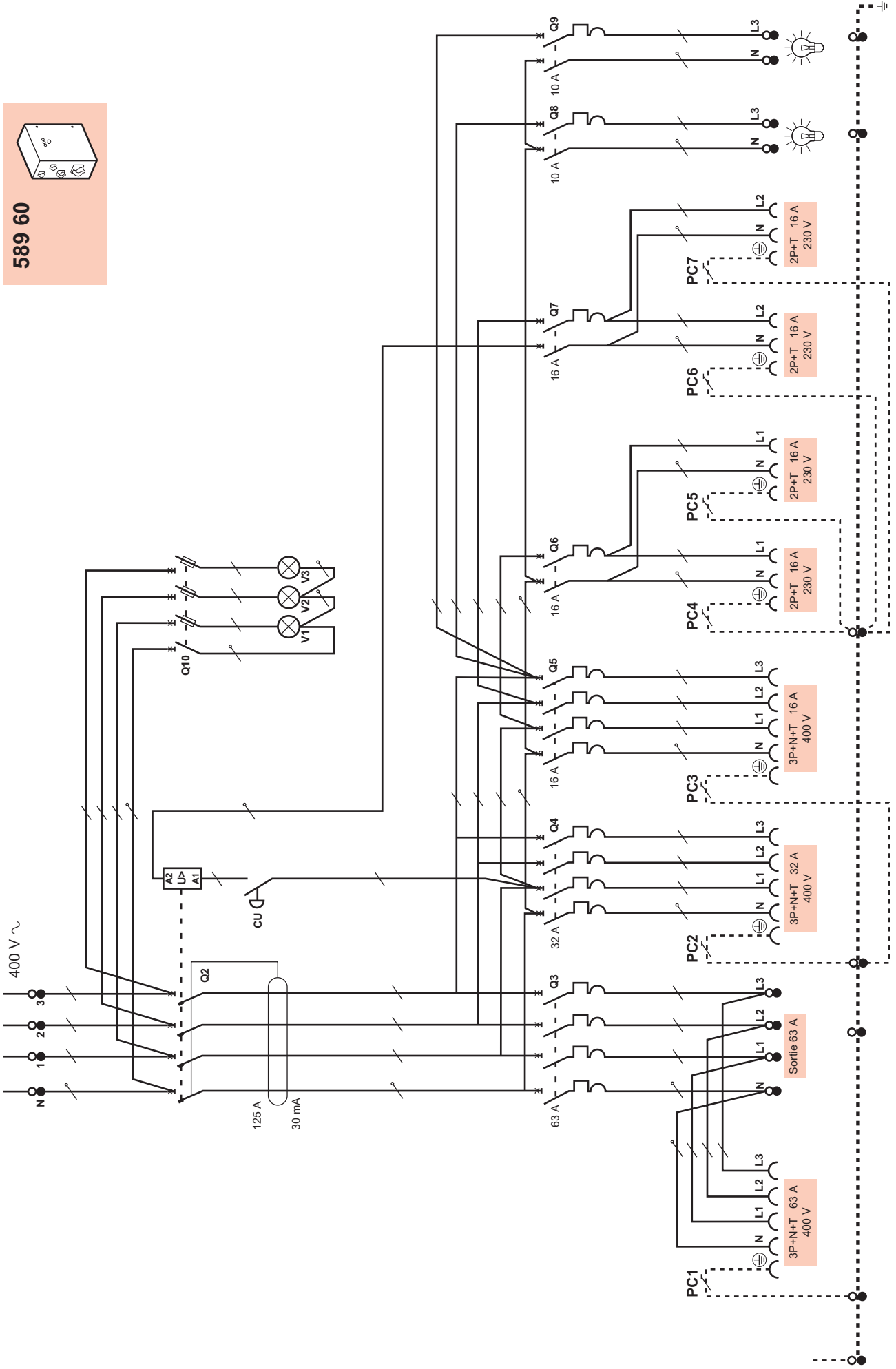
097 99

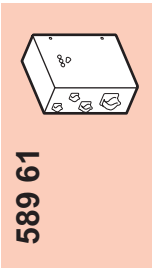




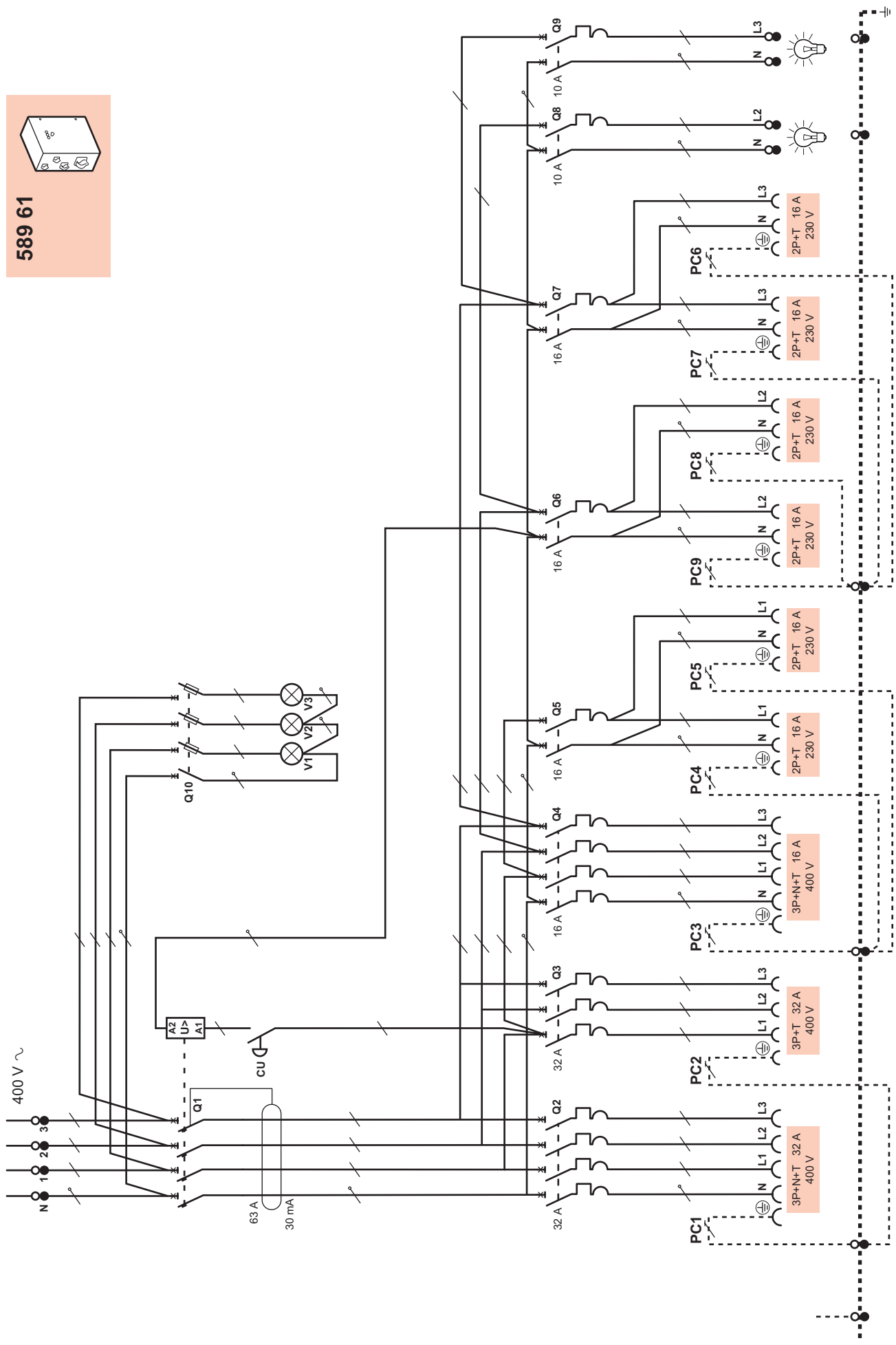


589 60



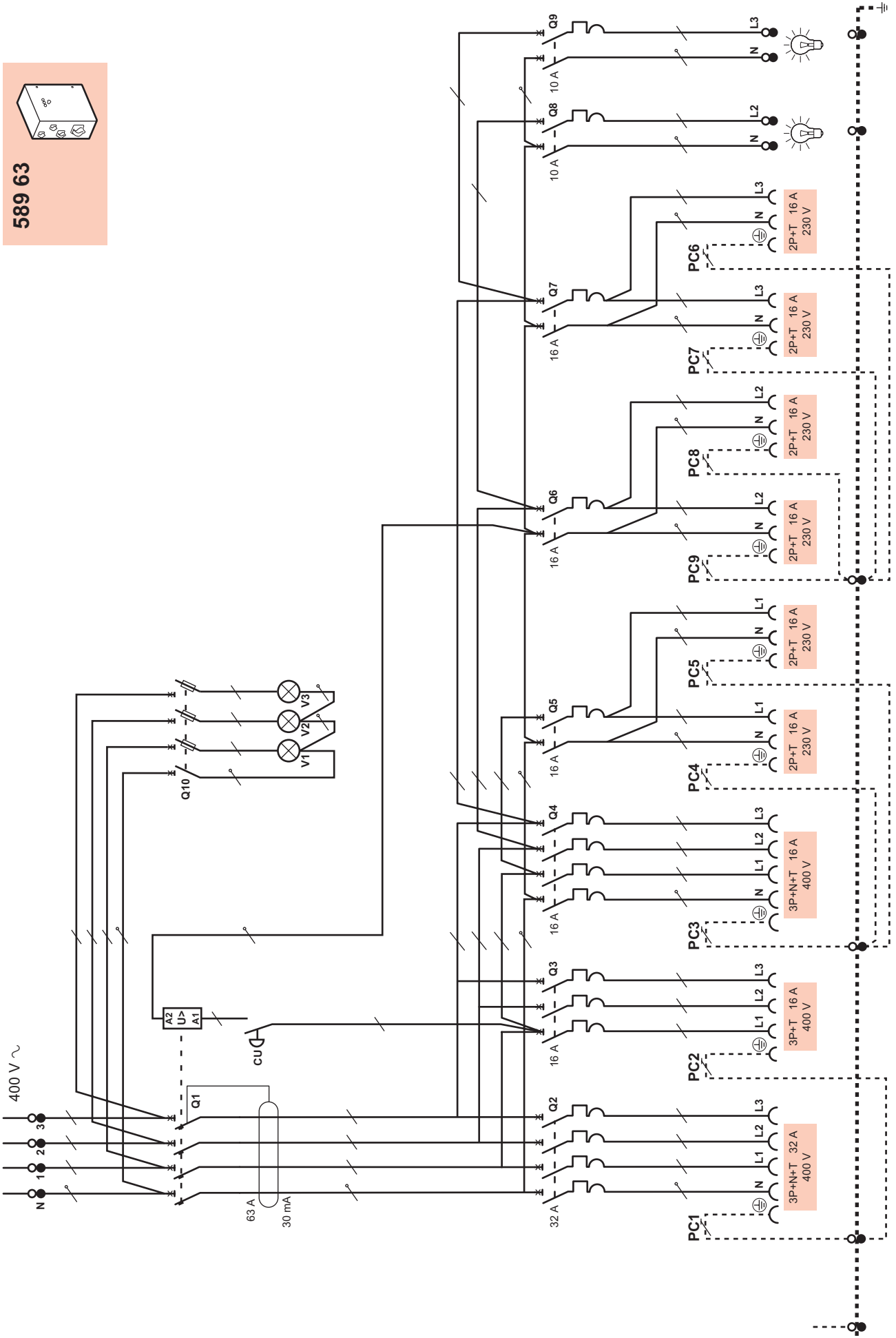


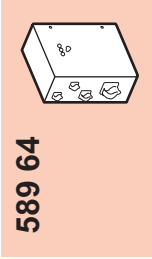
589 61





589 63





589 64

