

Part number

# CQ 08 V



Hood, CQ series, with 2 pegs, Pg21 top cable entry, size "32.13"

#### Product description

<b>Product type</b>	Hood
<b>Series</b>	CQ
<b>Closing type</b>	With 2 pegs
<b>Size</b>	Size "32.13"
<b>Cable entry</b>	Top cable entry Pg21

#### Technical data

<b>IP degree of protection</b>	IP66 / IP67 / IP69
--------------------------------	--------------------

#### Further technical details

<b>Weight</b>	26,00 g
<b>Operating temperature range (min, max)</b>	-40°C...+125°C

#### Material properties

<b>Colour</b>	RAL 9005 black
<b>RoHs conformity</b>	Compliant
<b>China RoHs - EFUP</b>	E
<b>REACH SVHC substances</b>	No

#### Approvals / Standards

<b>Certifications</b>	DNV, BV
<b>UL</b>	ECBT2
<b>cUL</b>	ECBT8

#### General ordering information

<b>EAN13 code</b>	8015747145756
-------------------	---------------

#### Packaging Information

<b>Packaging length</b>	250,00 mm
<b>Packaging height</b>	145,00 mm
<b>Packaging width</b>	300,00 mm
<b>Packaging weight</b>	1,62 kg
<b>Packaging volume</b>	10,88 dm <sup>3</sup>
<b>Packaging description</b>	Carton box
<b>Packaging quantity</b>	50 Pcs
<b>Packaging EAN code</b>	8015747213035
<b>Sub-packaging weight</b>	0,32 kg
<b>Sub-packaging description</b>	Plastic bag
<b>Sub-packaging quantity</b>	10 Pcs
<b>Sub-packaging EAN barcode</b>	8015747213042

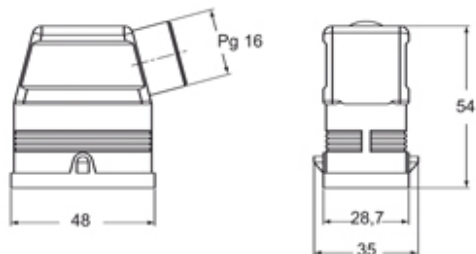
Part number

# CQ 08 V

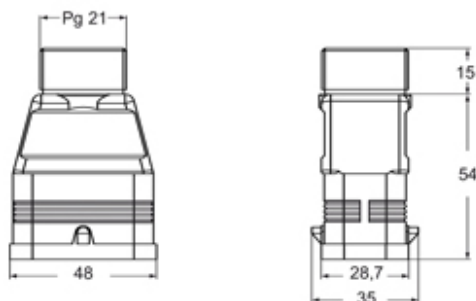


## Catalogue drawings

CQ VA



CQ V



---

## Notes

Pg male thread on outside of enclosure

---

Dimensions shown in mm are not binding and may be changed without notice.

---