

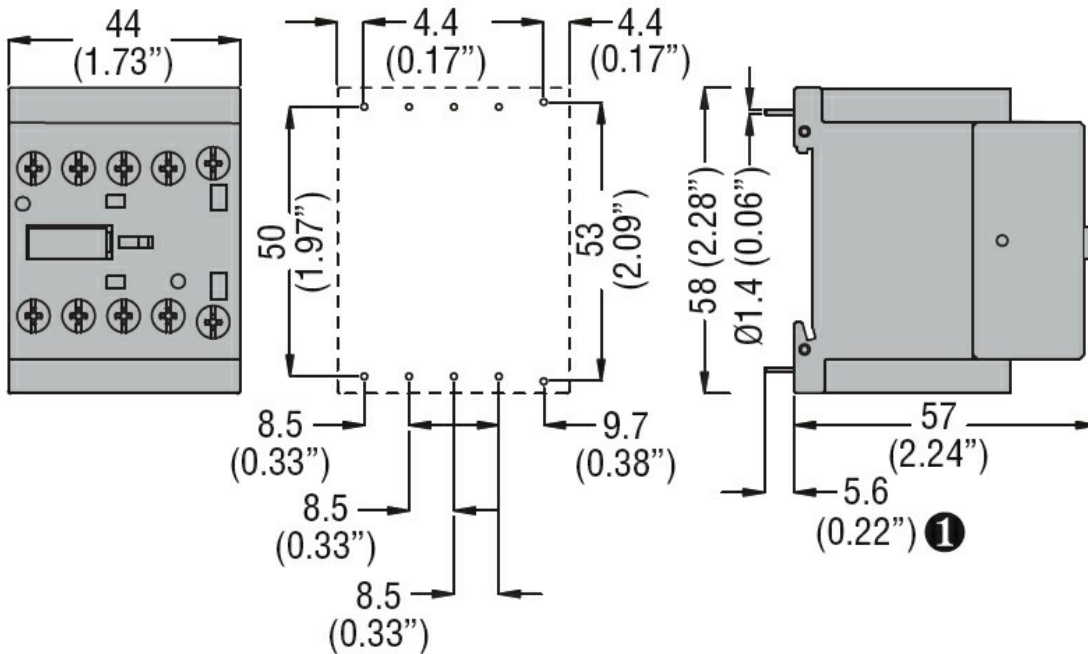


Product designation	Power contactor		
Product type designation	BGP09		
<b>Contact characteristics</b>			
Number of poles	Nr.	4	
Rated insulation voltage $U_i$ IEC/EN	V	500	
Rated impulse withstand voltage $U_{imp}$	kV	6	
Operational frequency	min	Hz	25
	max	Hz	400
IEC Conventional free air thermal current $I_{th}$	A	20	
Operational current $I_e$	AC-1 ( $\leq 40^\circ\text{C}$ )	A	20
	AC-1 ( $\leq 55^\circ\text{C}$ )	A	18
	AC-1 ( $\leq 70^\circ\text{C}$ )	A	15
	AC-3 ( $\leq 440\text{V} \leq 55^\circ\text{C}$ )	A	9
	AC-4 (400V)	A	4
Rated operational power AC-1 ( $T \leq 40^\circ\text{C}$ )	230V	kW	8
	400V	kW	14
	500V	kW	16
Short-time allowable current for 10s (IEC/EN60947-1)	A	96	
Protection fuse	gG (IEC)	A	20
	aM (IEC)	A	10
Making capacity (RMS value)	A	92	
Breaking capacity at voltage	440V	A	72
	500V	A	72
Resistance per pole (average value)	m $\Omega$	10	
Power dissipation per pole (average value)	$I_{th}$	W	4
	AC-3	W	0.81
Tightening torque for terminals	min	Nm	0.8
	max	Nm	1
	min	Ibin	9
	max	Ibin	9
Tightening torque for coil terminal	min	Nm	0.8
	max	Nm	1
	min	Ibin	9
	max	Ibin	9
Max number of wires simultaneously connectable	Nr.	2	
Conductor section	AWG/Kcmil		

		max		12
Flexible w/o lug conductor section		min	mm <sup>2</sup>	0.8
		max	mm <sup>2</sup>	2.5
Flexible c/w lug conductor section		min	mm <sup>2</sup>	1.5
		max	mm <sup>2</sup>	2.5
Flexible with insulated spade lug conductor section		min	mm <sup>2</sup>	1.5
		max	mm <sup>2</sup>	2.5
Power terminal protection according to IEC/EN 60529				IP00
<b>Mechanical features</b>				
Operating position		normal allowable		Vertical plan ±30°
Fixing				Screw / DIN rail 35mm
Weight			g	200
Conductor section	AWG/kcmil conductor section			
		max		12
<b>Auxiliary contact characteristics</b>				
Thermal current I <sub>th</sub>			A	10
IEC/EN 60947-5-1 designation				A600
<b>Operations</b>				
Mechanical life			cycles	20000000
Electrical life			cycles	500000
<b>Safety related data</b>				
Performance level B10d according to EN/ISO 13489-1		rated load	cycles	500000
		mechanical load	cycles	20000000
Mirror contacts according to IEC/EN 60947-4-1				yes
EMC compatibility				yes
<b>AC coil operating</b>				
Rated AC voltage at 60Hz			V	220
AC operating voltage	of 60Hz coil powered at 60Hz			
	pick-up	min	%Us	75
		max	%Us	115
	drop-out	min	%Us	20
		max	%Us	55
AC average coil consumption at 20°C	of 50/60Hz coil powered at 50Hz	in-rush	VA	30
		holding	VA	4
	of 50/60Hz coil powered at 60Hz	in-rush	VA	25
		holding	VA	3
	of 60Hz coil powered at 60Hz	in-rush	VA	30
		holding	VA	4

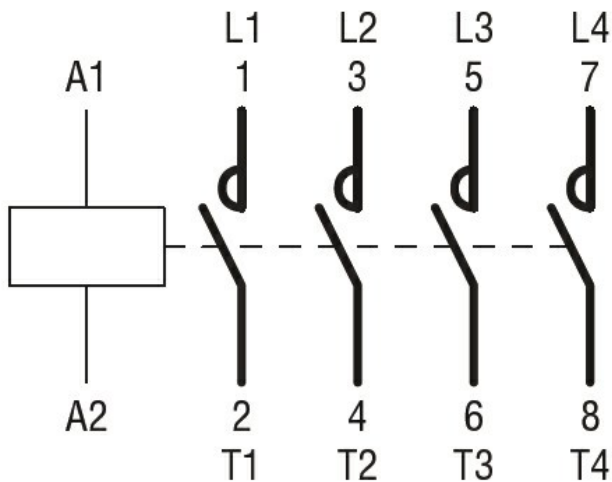
Dissipation at holding ≤20°C 50Hz		W	0.95
<b>Max cycles frequency</b>			
Mechanical operation		cycles/h	3600
<b>Operating times</b>			
Average time for Us control			
in AC			
Closing NO		min	ms 12
		max	ms 21
Opening NO		min	ms 9
		max	ms 18
Closing NC		min	ms 17
		max	ms 26
Opening NC		min	ms 7
		max	ms 17
in DC			
Closing NO		min	ms 18
		max	ms 25
Opening NO		min	ms 2
		max	ms 3
Closing NC		min	ms 3
		max	ms 5
Opening NC		min	ms 11
		max	ms 17
<b>UL technical data</b>			
Full-load current (FLA) for three-phase AC motor			
		at 480V	A 7.6
		at 600V	A 6.1
Yielded mechanical performance			
for single-phase AC motor			
		110/120V	HP 0.5
		230V	HP 1.5
for three-phase AC motor			
		200/208V	HP 2
		220/230V	HP 3
		460/480V	HP 5
		575/600V	HP 5
General USE			
Contactor		AC current	A 20
<b>Ambient conditions</b>			
Temperature			
Operating temperature			
		min	°C -50
		max	°C +70
Storage temperature			
		min	°C -60

	max	°C	+80
Max altitude		m	3000
<b>Resistance &amp; Protection</b>			
Pollution degree			3
<b>Dimensions</b>			



① Recommended PCB drillings 1.7-2mm.

**Wiring diagrams**



**Certifications and compliance**

**Compliance**

- CSA C22.2 n° 60947-1
- CSA C22.2 n° 60947-4-1
- IEC/EN 60947-1
- IEC/EN 60947-4-1
- UL 60947-1
- UL 60947-4-1

**Certificates**

- cURus
- EAC

ETIM classification

ETIM 8.0

EC000066 -  
Power contactor,  
AC switching