



Top push rod plunger
PLN...A

Product designation

Product type designation

General characteristics

Material

Housing

Aluminium-zinc alloy

Contact characteristics

Type of contact

2NC

Thermal current I_{th}

A 10

Rated insulation voltage U_i

V 400

Short-circuit protection with fuse

Class/A 10 gG/SC
QUICK FUSE

IEC Conventional free air thermal current I_{th}

A 10

Resistance per pole (average value)

mΩ <10

Mechanical features

Operating head fixing

Fixed

Tightening torque (Max)

Switch fixing

Nm 2.5
lbin 22.1

Conductor section

AWG/Kcmil

max 14

IEC

max mm² 2.5

Cable connection

Screw terminal with clamp

Cable entry

PG11 with cable gland

Weight

g 240

Operations

Mechanical life

cycles >10000000

Mechanical operation

cycles/h 3600

Ambient conditions

Temperature

Operating temperature

min °C -25
max °C +70

Storage temperature

min °C -40
max °C +70

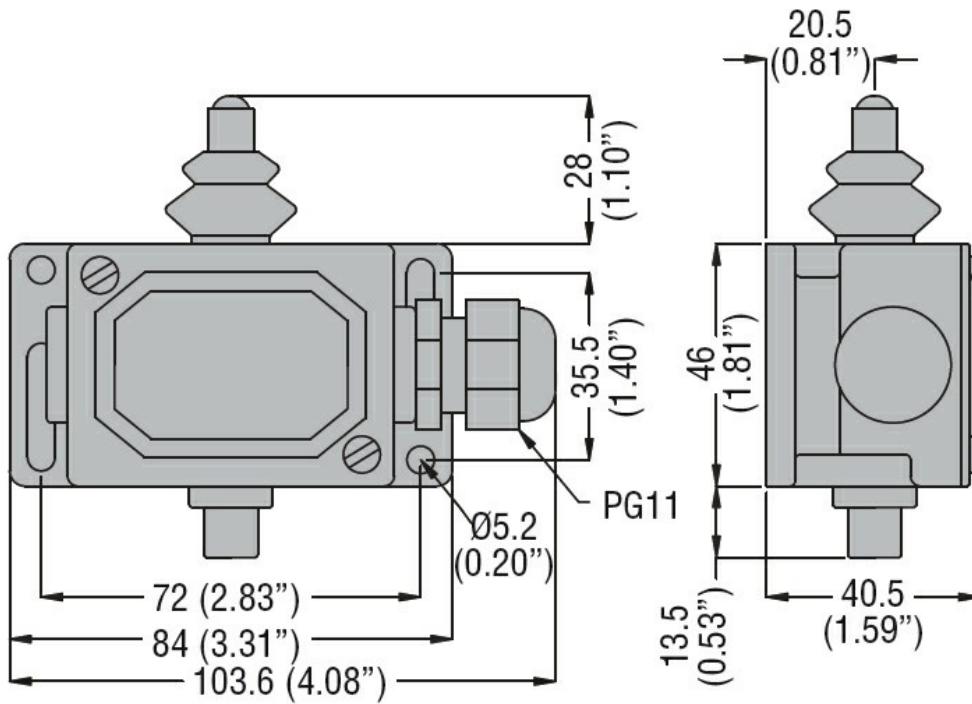
Resistance & Protection

IP degree

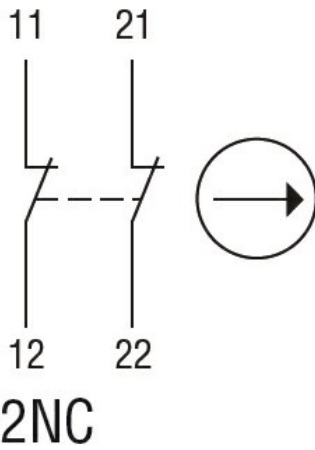
Body housing

IP65

Dimensions



Wiring diagrams



Certifications and compliance

Compliance

EN 81-1.
IEC/EN 60947-1
IEC/EN 60947-5-1

Certificates

EAC

ETIM classification

ETIM 8.0

EC000030 - End switch