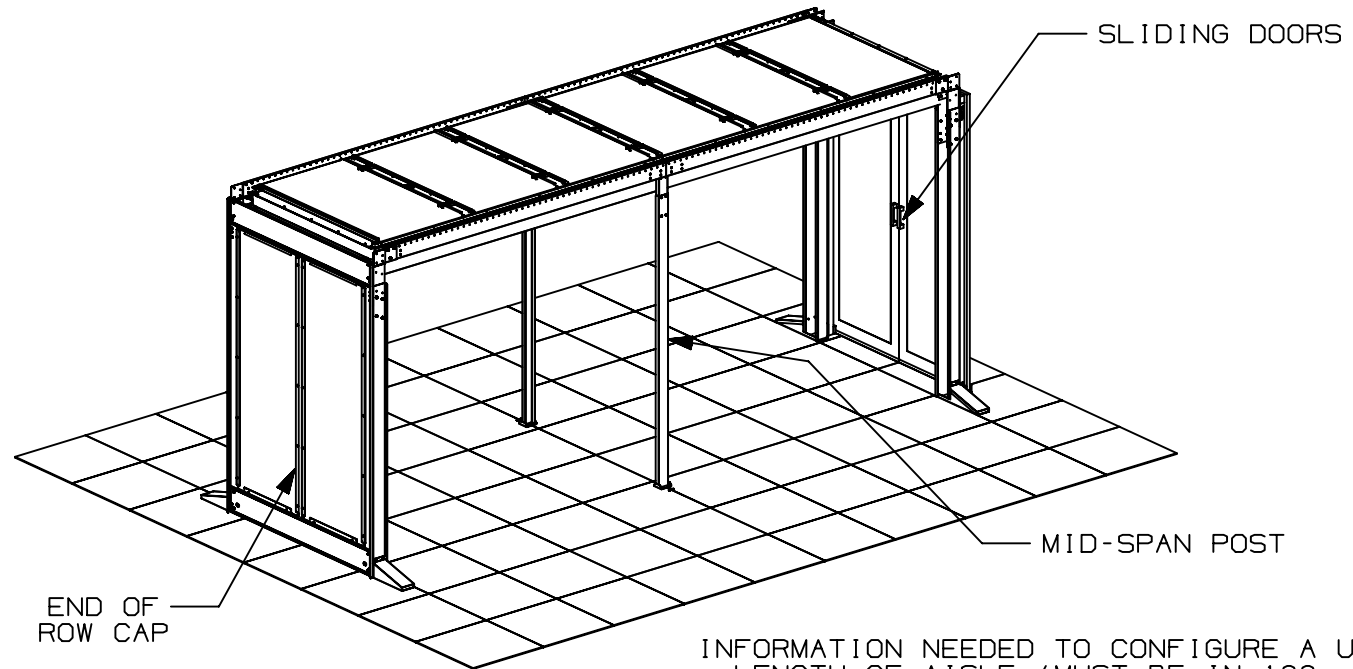


THIS COPY IS PROVIDED ON A RESTRICTED BASIS AND IS NOT TO BE USED IN ANY WAY DETRIMENTAL TO THE INTERESTS OF PANDUIT CORP.



- INFORMATION NEEDED TO CONFIGURE A UNIVERSAL AISLE CONTAINMENT POD:
- LENGTH OF AISLE (MUST BE IN 100mm INCREMENTS)
  - WIDTH OF AISLE (900mm, 1200mm OR 1800mm)
  - HEIGHT OF CONTAINED AISLE (42RU, 45RU, 48RU OR 52RU)
  - EACH POD WILL REQUIRE 2 END-OF-ROW FRAMES AND 2 SLIDING DOOR KITS (OR 1 SLIDING DOOR AND 1 END CAP)
  - ACCESSORIES NEEDED FOR PROPER SUPPORT
  - ACCESSORIES NEEDED FOR PROPER CONTAINMENT

USE PAGES 2, 3 & 4 TO DETERMINE HEIGHT, LENGTH AND WIDTH REQUIREMENTS FOR POD.

USE PAGE 5 TO DETERMINE REQUIRED ACCESSORIES.



A

A

TITLE		UNIVERSAL AISLE CONTAINMENT WITH ROOFING-V2		
CUSTOMER DRAWING				
ITEM REVISION NAME	15V530AD/01	<b>PANDUIT</b>		
DATASET FILE NAME	15V530AD_DC/01B			
MATERIAL:		N/A		
DRAWING NUMBER:		15V530AD-DC		
DRAWN BY	DATE	CHK	SCALE	SIZE
MEX-JAGC	4/15/16	WAB	NONE	A

REV	DATE	BY	CHK	APR	DESCRIPTION	ECN
01B	2/9/21	MEX-JAGC	PATR	PATR	UPDATED VIEWS TO REMOVE NOT NEEDED PARTS	V09002LE/00
01A	6-29-16	LEE	SSP	SGI	ADDED SHEET (INSERTED SHEET 3)	V09000WR
00A	4/15/16	MEX-JAGC	WAB	SGI	RELEASED TO PRODUCTION	V09000UD/02

D10100DA/16

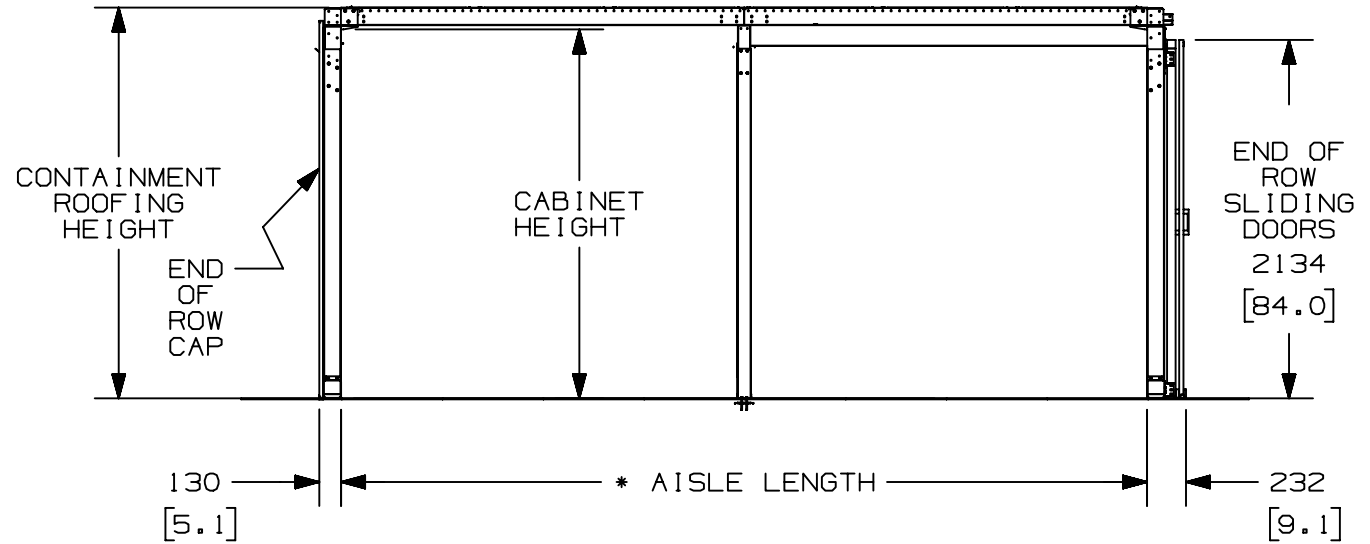
2

1

THIS COPY IS PROVIDED ON A RESTRICTED BASIS AND IS NOT TO BE USED IN ANY WAY DETRIMENTAL TO THE INTERESTS OF PANDUIT CORP.

CABINET HEIGHT REQUIREMENTS

SET-UP	MIN CABINET HEIGHT	MAX CABINET HEIGHT
42 RU SET-UP	1956mm (77.0")	2062mm (81.2")
45 RU SET-UP	2089mm (82.2")	2197mm (86.5")
48 RU SET-UP	2223mm (87.5")	2329mm (91.7")
52 RU SET-UP	2400mm (94.5")	2507mm (98.7")



\*AISLE LENGTH IS MEASURED FROM THE INSIDE OF THE POSTS AND MUST BE IN 100mm (3.9") INCREMENTS.

CONTAINMENT HEIGHT WHEN USING ROOF SECTIONS

	USING 42 RU SET-UP	USING 45 RU SET-UP	USING 48 RU SET-UP	USING 52 RU SET-UP
CONTAINMENT ROOFING HEIGHT	2210mm (87")	2344mm (92.3")	2477mm (97.5")	2654mm (104.5")

REV	DATE	BY	CHK	APR	DESCRIPTION	ECN
01B	2/9/21	MEX-JAGC	PATR	PATR	SEE SHEET 1 OF 7 FOR REVISIONS	V09002LE/00
01A	6-29-16	LEE	SSP	SJI	SEE SHEET 1 OF 7 FOR REVISIONS	V09000WR
00A	4/15/16	MEX-JAGC	WAB	SJI	SEE SHEET 1 OF 6 FOR REVISIONS	V09000UD/02

TITLE		UNIVERSAL AISLE CONTAINMENT WITH ROOFING-V2		
CUSTOMER DRAWING				
ITEM REVISION NAME		15V530AD/01		
DATASET FILE NAME		15V530AD_DC/01B		
MATERIAL:		N/A		
DRAWING NUMBER:		15V530AD-DC		
DRAWN BY	DATE	CHK	SCALE	SIZE
MEX-JAGC	4/15/16	WAB	NONE	A
SHT 2 OF 7				

2

1

D101000DA/16



2

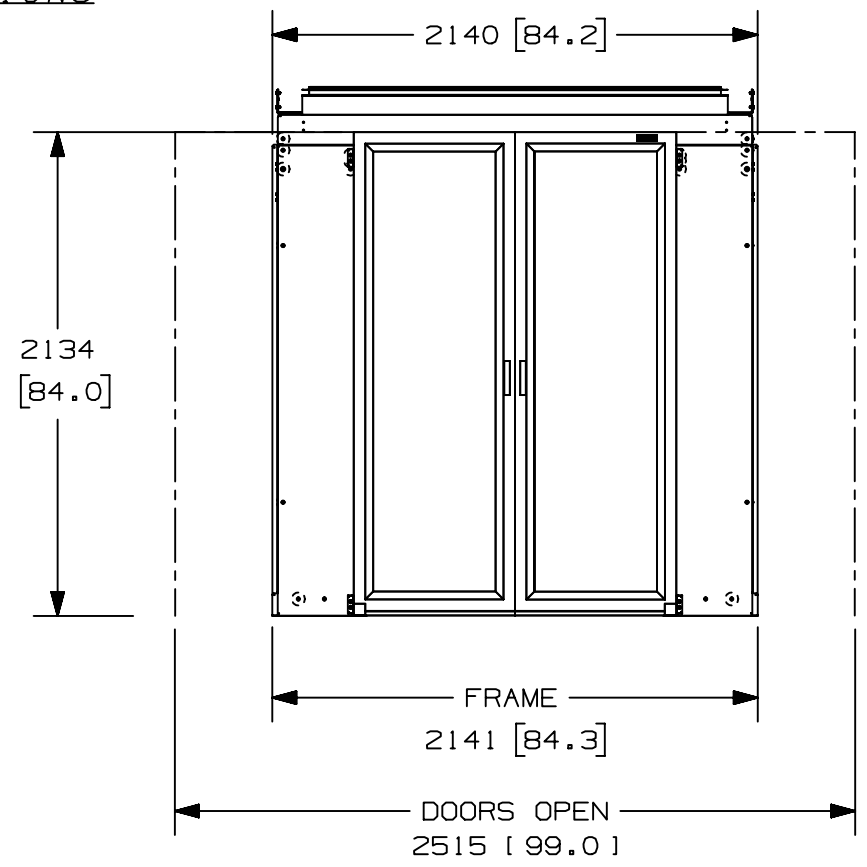
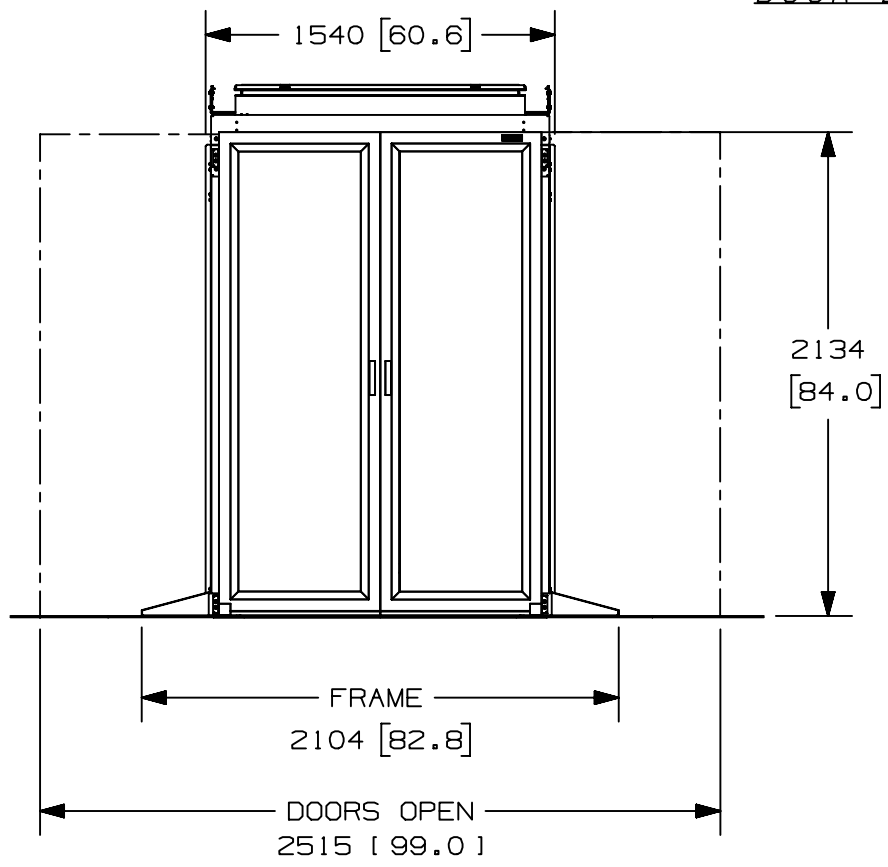
1

THIS COPY IS PROVIDED ON A RESTRICTED BASIS AND IS NOT TO BE USED IN ANY WAY DETRIMENTAL TO THE INTERESTS OF PANDUIT CORP.

1200mm AISLE WIDTH

*SLIDING  
DOOR DIMENSIONS*

1800mm AISLE WIDTH



B

B

A

A

D10100DA/16

01B	2/9/21	MEX-JAGC	PATR	PATR	SEE SHEET 1 OF 7 FOR REVISIONS	V09002LE/00
01A	6-29-16	LEE	SSP	SRI	SEE SHEET 1 OF 7 FOR REVISIONS	V090000WR
00A	4/15/16	MEX-JAGC	WAB	SRI	SEE SHEET 1 OF 6 FOR REVISIONS	V09000UD/02
REV	DATE	BY	CHK	APR	DESCRIPTION	ECN

TITLE					
UNIVERSAL AISLE CONTAINMENT WITH ROOFING-V2					
CUSTOMER DRAWING					
ITEM REVISION NAME			15V530AD/01		
DATASET FILE NAME			15V530AD_DC/01B		
MATERIAL:			<b>PANDUIT</b>		
			N/A		
DRAWING NUMBER:			15V530AD-DC		
DRAWN BY	DATE	CHK	SCALE		
MEX-JAGC	4/15/16	WAB	NONE	SHT 4 OF 7	A

2

1



2

1

THIS COPY IS PROVIDED ON A RESTRICTED BASIS AND IS NOT TO BE USED IN ANY WAY DETRIMENTAL TO THE INTERESTS OF PANDUIT CORP.

END-OF-ROW FRAME PART NUMBERS

		900mm	1200mm	1800mm
CONTAINMENT POD HEIGHT	42 RU SET-UP	CUSREFRT8xx AND CUEFRCKITxx	CUEFRT8W04xx	CUEFRT8W06xx
	45 RU SET-UP	CUSREFRT8xx AND CUEFRCKITxx	CUEFRT8W04xx	CUEFRT8W06xx
	48 RU SET-UP	CUSREFRT9xx AND CUEFRCKITxx	CUEFRT9W04xx	CUEFRT9W06xx
	52 RU SET-UP	CUSREFRT9xx AND CUEFRCKITxx	CUEFRT9W04xx	CUEFRT9W06xx

WALL BEAM PART NUMBERS

	600mm	700mm	800mm	2400mm
SINGLE (1 EACH)	CUWBSS06ST01xx	CUWBSS07ST01xx	CUWBSS08ST01xx	CUWBSS24ST01xx
PAIRS (2 EACH)	CUWBPS06ST02xx	CUWBPS07ST02xx	CUWBPS08ST02xx	CUWBPS24ST02xx

NOTE:  
 "xx" IN THE PART NUMBER DENOTES COLOR,  
 "B1" FOR BLACK AND "W1" FOR WHITE.

END-OF-ROW SLIDING DOORS

900mm POD AISLE WIDTH		1200/1800 CONTAINMENT POD AISLE WIDTH	
RH SINGLE SLIDING DOOR	LH SINGLE SLIDING DOOR	ONE DOOR SET PER PACKAGE	TWO DOOR SETS PER PACKAGE
CUSRISDRH**	CUSRISDLH**	CUD1SD**	CUD2SD**

NOTE:  
 "\*\*\*" IN THE PART NUMBER DENOTES COLOR,  
 "B1" FOR BLACK AND "S1" FOR SILVER.

A

A

REV	DATE	BY	CHK	APR	DESCRIPTION	ECN	TITLE	DRAWING NUMBER	SIZE
							UNIVERSAL AISLE CONTAINMENT WITH ROOFING-V2		
							CUSTOMER DRAWING		
							ITEM REVISION NAME	15V530AD/01	
							DATASET FILE NAME	15V530AD_DC/01B	
01B	2/9/21	MEX-JAGC	PATR	PATR	SEE SHEET 1 OF 7 FOR REVISIONS	V09002LE/00	<b>PANDUIT</b>	MATERIAL:	N/A
01A	6-29-16	LEE	SSP	SRI	SEE SHEET 1 OF 7 FOR REVISIONS	V09000WR		DRAWING NUMBER:	15V530AD-DC
00A	4/15/16	MEX-JAGC	WAB	SRI	SEE SHEET 1 OF 6 FOR REVISIONS	V09000UD/02			
							DRAWN BY	MEX-JAGC	
							DATE	4/15/16	
							CHK	WAB	
							SCALE	NONE	
								SHT 6 OF 7	A

2

1

D10100DA/16

2

1

THIS COPY IS PROVIDED ON A RESTRICTED BASIS AND IS NOT TO BE USED IN ANY WAY DETRIMENTAL TO THE INTERESTS OF PANDUIT CORP.

ROOFING PART NUMBERS

		900mm	1200mm	1800mm
ROOFING LENGTH	600mm	CUSRRFS06xx	CURFS06F04HBxx	CURFS06F06HBxx
	700mm	CUSRRFS07xx	CURFS07F04HBxx	CURFS07F06HBxx
	800mm	CUSRRFS08xx	CURFS08F04HBxx	CURFS08F06HBxx

FULL HEIGHT BLANKING PANELS

CONTAINMENT POD HEIGHT	42 RU SET-UP	CUFBPR4206HBxx
	45 RU SET-UP	CUFBPR4506HBxx
	48 RU SET-UP	CUFBPR4806HBxx
	52 RU SET-UP	CUFBPR5206HBxx

ABOVE CABINET BLANKING PANEL

CUTBPR0610HBN1

MID-SPAN SUPPORT POST

CUSMPR52ST01xx

MID-SPAN CABINET SUPPORT

300mm	CUCMSS03ST01NC
600mm	CUCMSS06ST01NC

NOTE: "xx" IN THE PART NUMBER DENOTES COLOR, "B1" FOR BLACK AND "W1" FOR WHITE.

TITLE		UNIVERSAL AISLE CONTAINMENT WITH ROOFING-V2		
		CUSTOMER DRAWING		
ITEM REVISION NAME		15V530AD/01		<b>PANDUIT</b>
DATASET FILE NAME		15V530AD_DC/01B		
		MATERIAL:		N/A
		DRAWING NUMBER:		15V530AD-DC
DRAWN BY	DATE	CHK	SCALE	SIZE
MEX-JAGC	4/15/16	WAB	NONE	A
REV		SHT 7 OF 7		

REV	DATE	BY	CHK	APR	DESCRIPTION	ECN
01B	2/9/21	MEX-JAGC	PATR	PATR	SEE SHEET 1 OF 7 FOR REVISIONS	V09002LE/00
01A	6-29-16	LEE	SSP	SRI	SEE SHEET 1 OF 7 FOR REVISIONS	V09000WR
00A	4/15/16	MEX-JAGC	WAB	SRI	SEE SHEET 1 OF 6 FOR REVISIONS	V09000UD/02

2

1

D10100DA/16