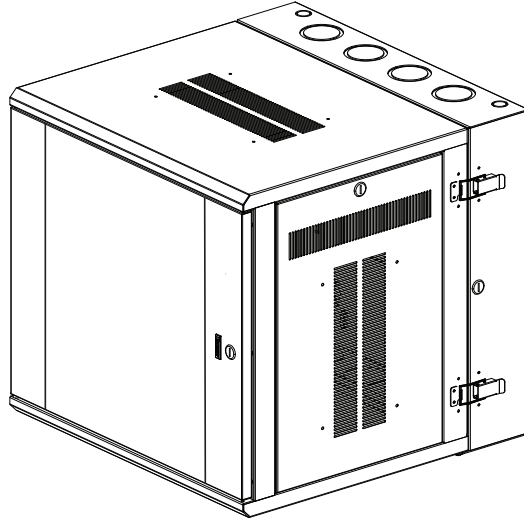


INSTRUCTIONS CM315E

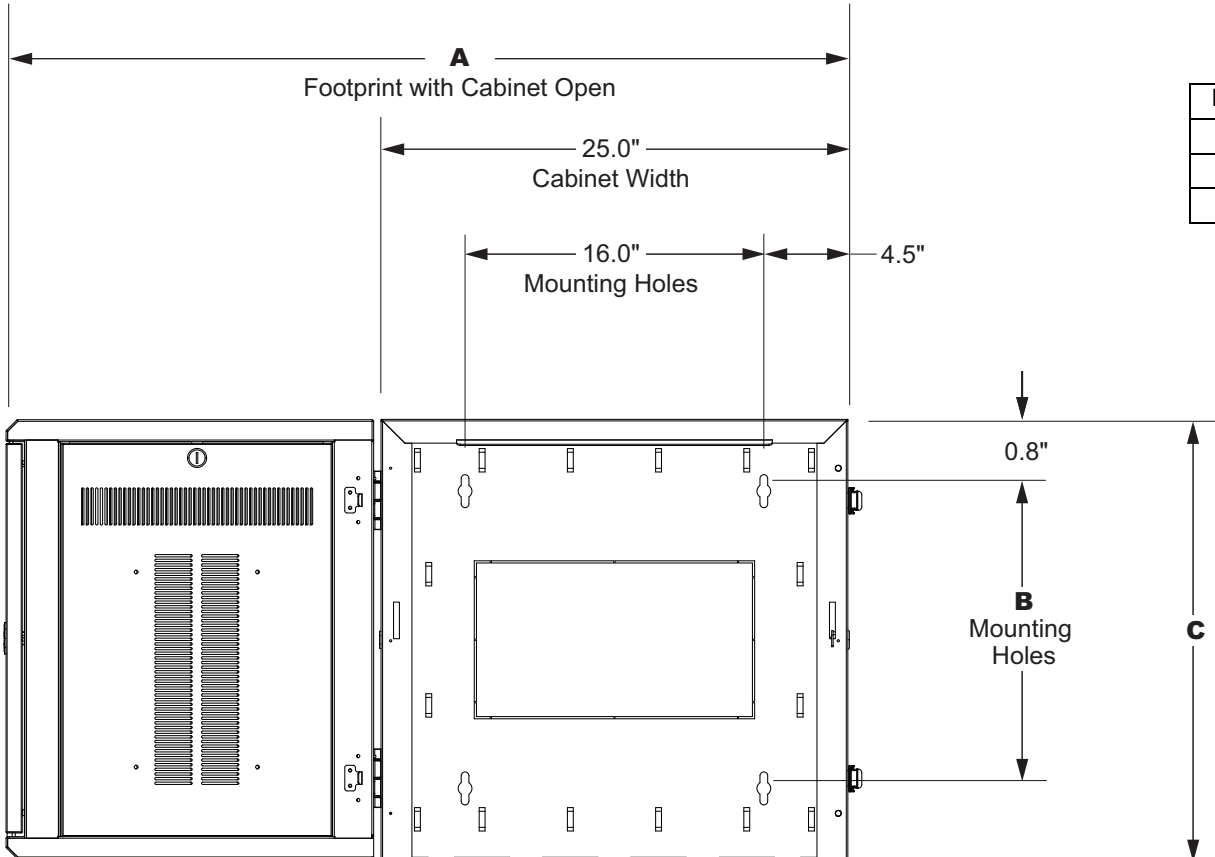


Parts Included:

- (1) - Extra Door Spacer
- (8) - Keys
- (1) - Roll of Tak-Ty
- (12) - #12-24 Screws
- (1) - Removable Top Vent Cover Panel

PZWMC12W
Cabinet with Windowed Door

Location Footprint

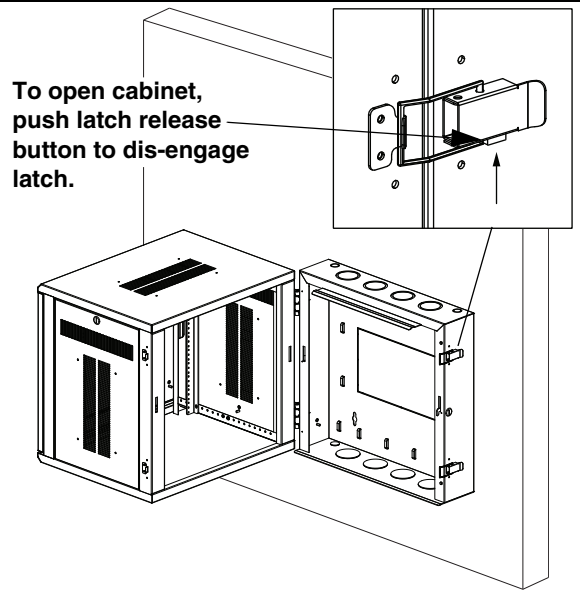
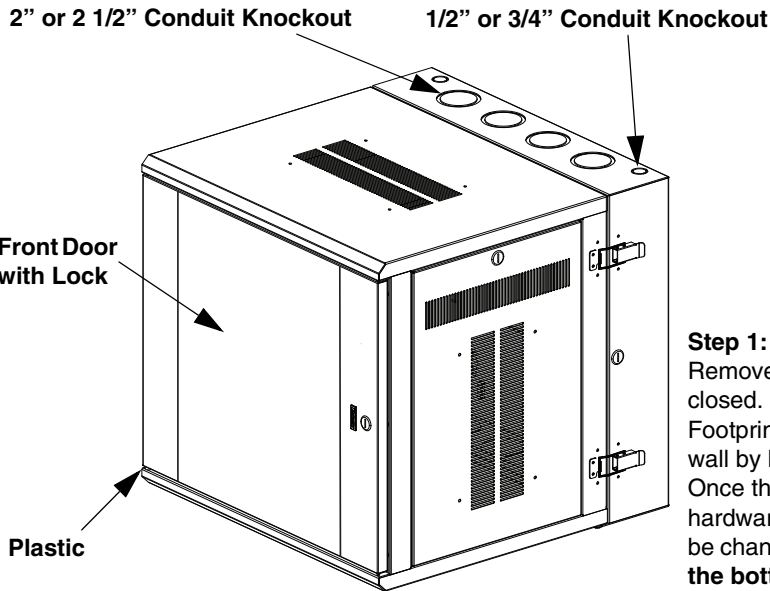


CABINET DEPTH	DIM "A"
25.0	45.1
30.0	50.1

RU	DIM "B"	DIM "C"
12	20.7"	23.8"
18	31.2"	34.3"
26	45.2"	48.3"

INSTRUCTIONS CM315E

PANZONE Wall Mount Cabinets can be installed in a hinged right or hinged left application. For your installation, determine which side of the cabinet will hinge. The cabinet is shown hinged left. Mounting surface must have **sufficient strength to support the cabinet with payload**. The mounting surface must also be flat and extend beyond the overall cabinet footprint.



Step 1:

Remove door and side panels for ease of handling. Ensure rear latches are closed. Install (4) 3/8" mounting hardware (not provided) as shown in Location Footprint. Hardware should protrude 3/8" from wall. Mount the cabinet to the wall by hooking the keyholes over the protruding 3/8" mounting hardware. Once the cabinet is in place, carefully swing cabinet from wall and tighten the hardware securely. Re-install door and side panels. Door swing direction can be changed by rotating the door 180°. **Ensure the plastic spacer is placed at the bottom of the door hinge.**

Step 2:

To reverse rear hinge direction.

Open cabinet, and remove the latch from the rear lock. Remove the rear lock and the lock hole grommet on the opposite side. Close the cabinet and remove decorative covers on hinges. Remove the thread forming screws & lockwashers from the hinges (M5), and latches (M4), and re-install the components on the opposite sides of the cabinet. Open the cabinet and re-install the lock and grommet on the opposite sides. Re-assemble the lock latch, ensuring it locks in the downward rotation (see below).

M5 Thread forming screws & lock-washers

Hinge

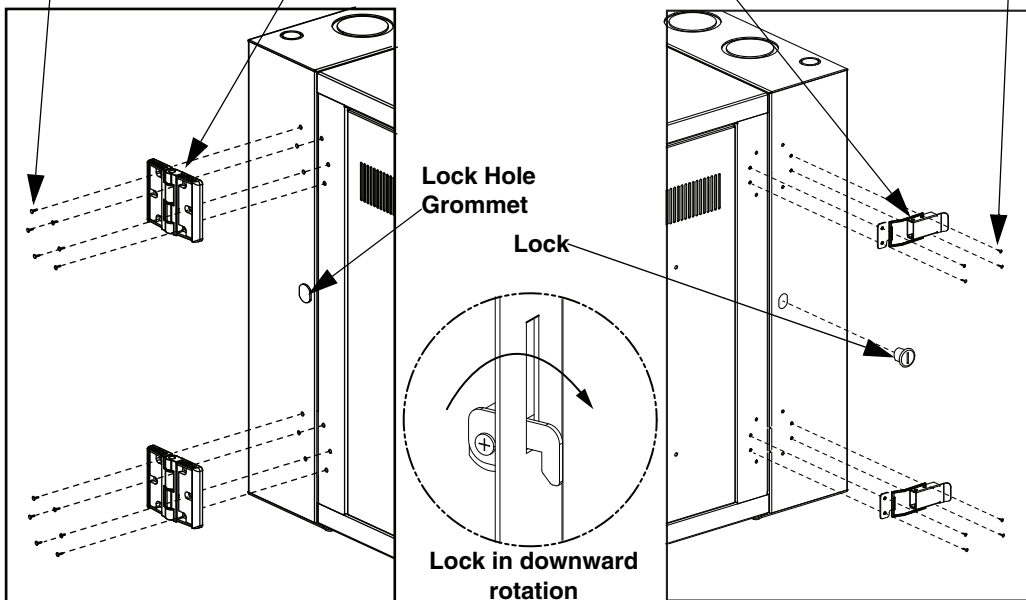
M4 Thread forming screws

Latch

Lock Hole Grommet

Lock

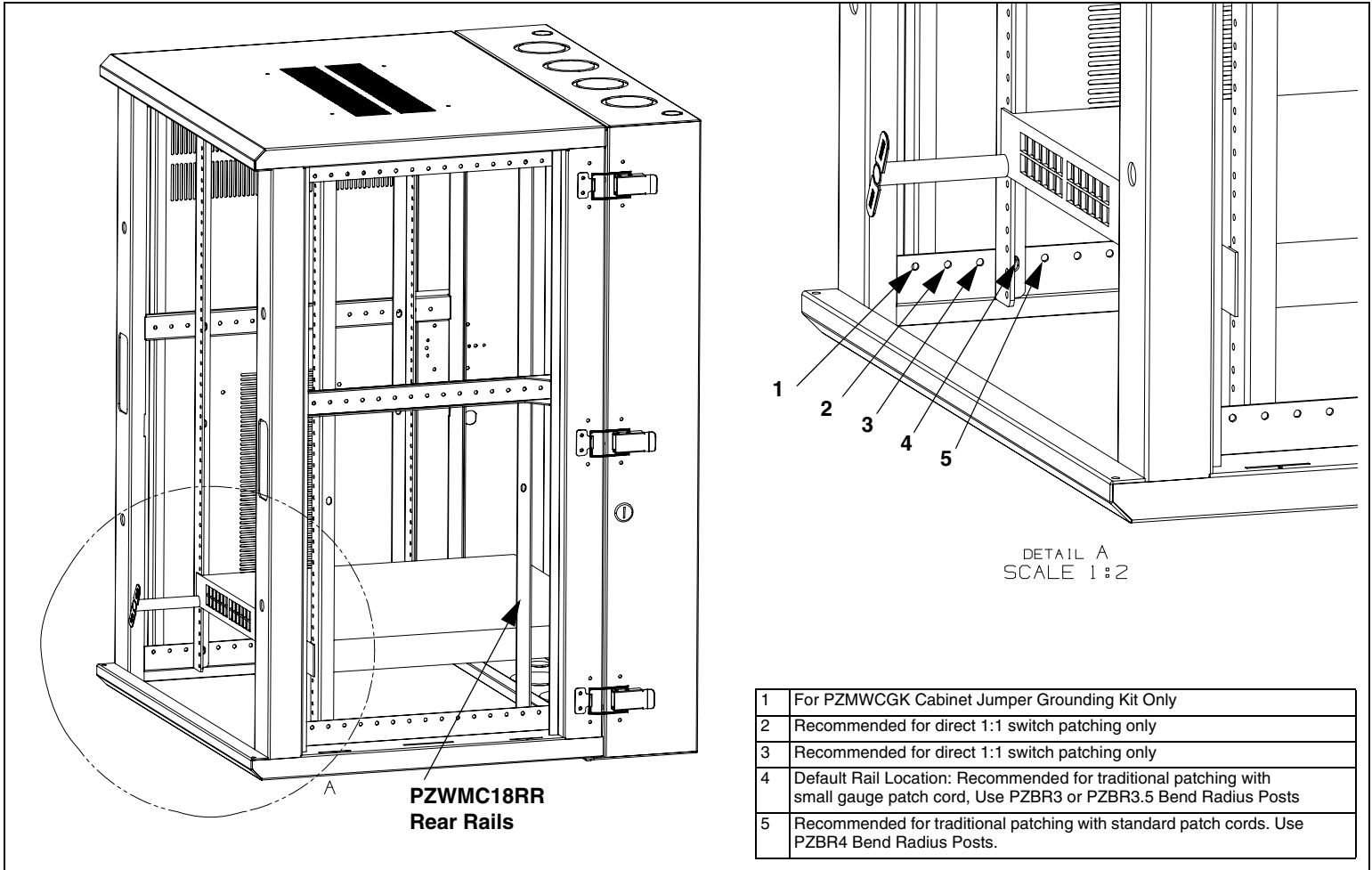
Lock in downward rotation



For Technical Support: www.panduit.com/resources/install_maintain.asp

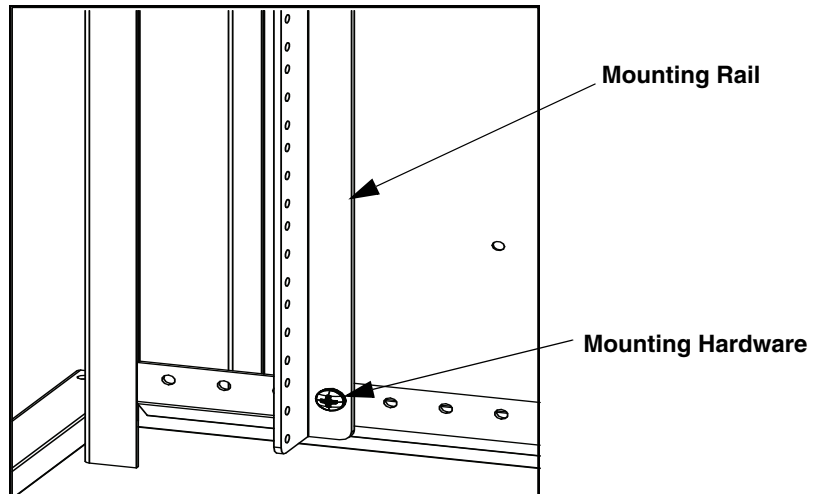
INSTRUCTIONS CM315E

Step 3: To adjust the depth of the mounting rail for specific applications, remove the M6 thread forming screws and lockwashers, move the rail to the desired position and re-install mounting hardware.



Mounting Rail Installation (PZWMC12RR)

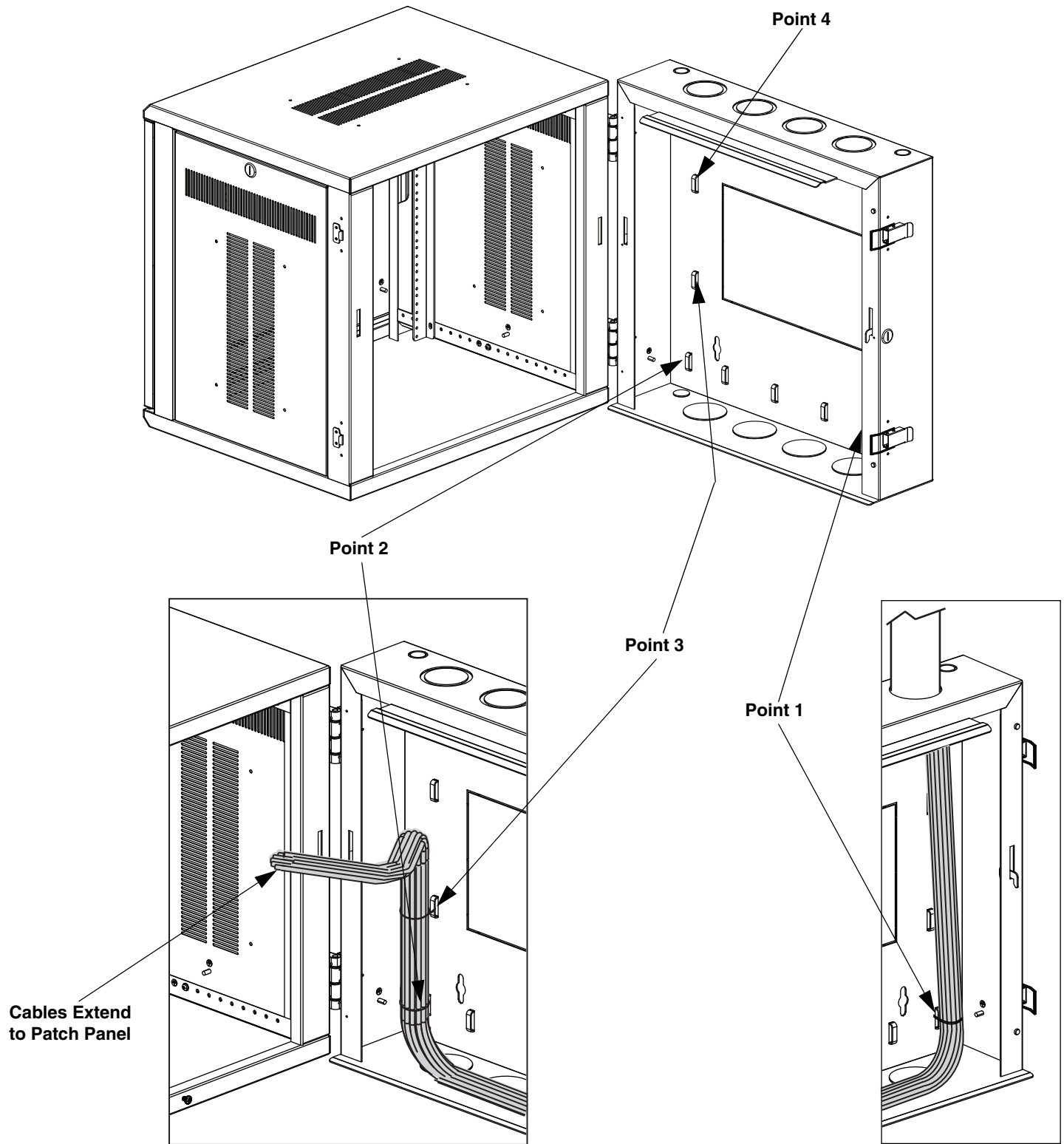
To install mounting rail use (2) M6 thread forming screws & lockwashers at desired location as shown below



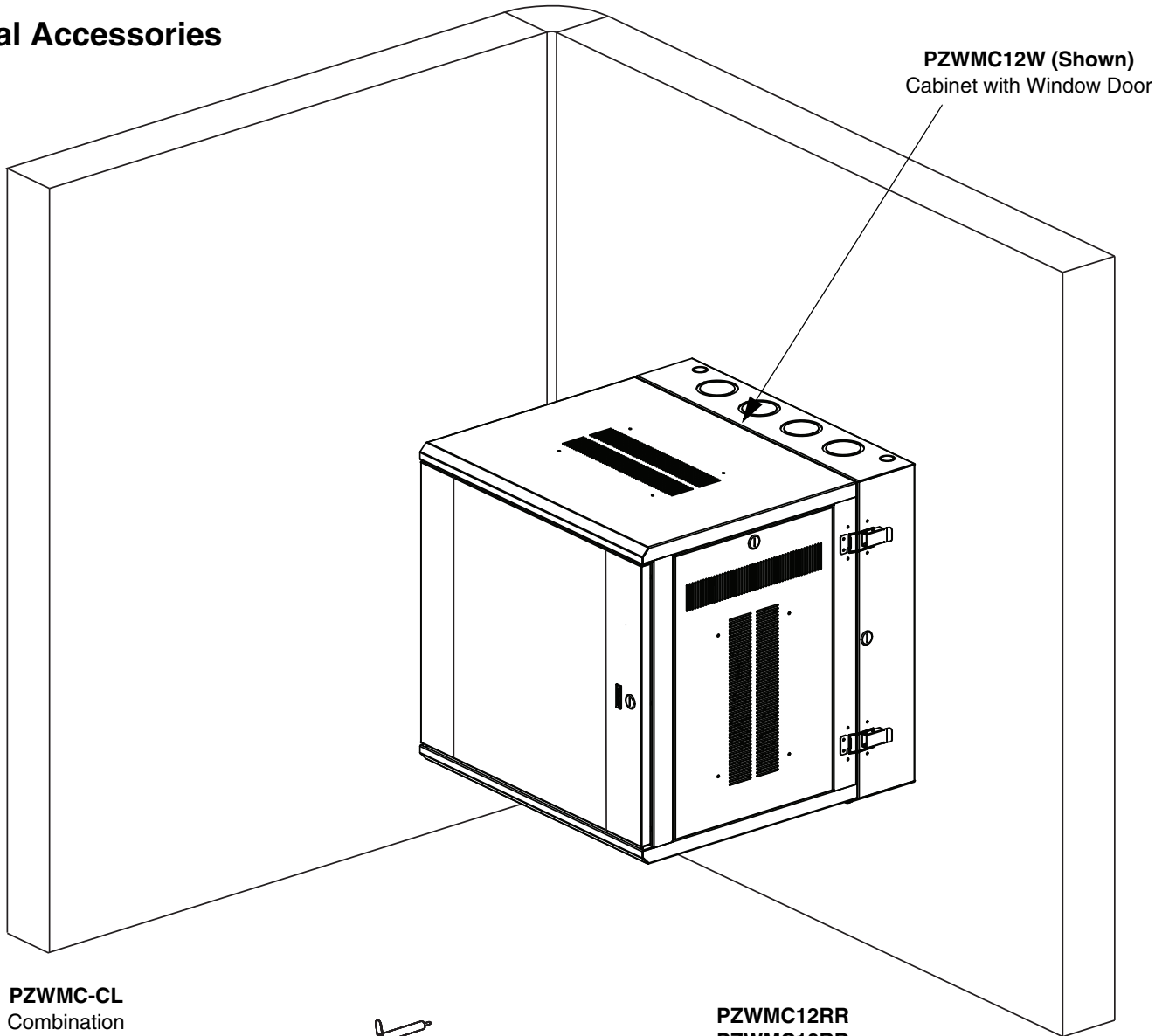
For Technical Support: www.panduit.com/resources/install_maintain.asp

Cable Routing

Cable must be routed with an adequate slack loop to prevent cable damage. Route cable to point 1 secure to tie down with a *TAK-TY*. Next route cable across the bottom of the enclosure to point 2 secure to tie down with a *TAK-TY*. Route to the desired patch panel after securing the cables with a *TAK-TY* at point 3 or 4.

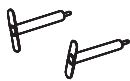
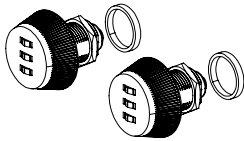


Optional Accessories



PZWMC12W (Shown)
Cabinet with Window Door

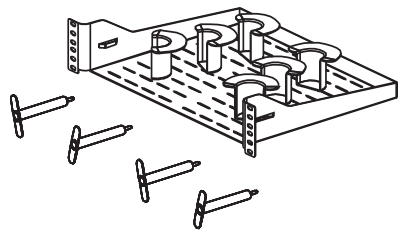
PZWMC-CL
Combination
Lock Kit



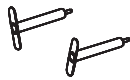
PZBR4
PANZONE 4" Bend
Radius Post Kit

**PZWMC12RR
PZWMC18RR
PZWMC26RR**
PANZONE Rear Equipment
Rail Kits

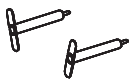
PZCFK
PANZONE Fan Kit



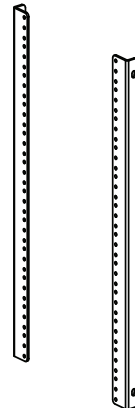
PZCHSM2
PANZONE Horizontal
Slack Manager



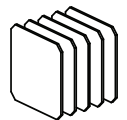
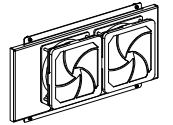
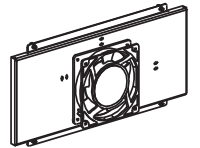
PZBR3
PANZONE 3" Bend
Radius Post Kit



PZBR3.5
PANZONE 3.5" Bend
Radius Post Kit



PZWMCFKHF
PANZONE
Fan Kit
High Flow



PZCFR
PANZONE Fan Media
Replacement Kit

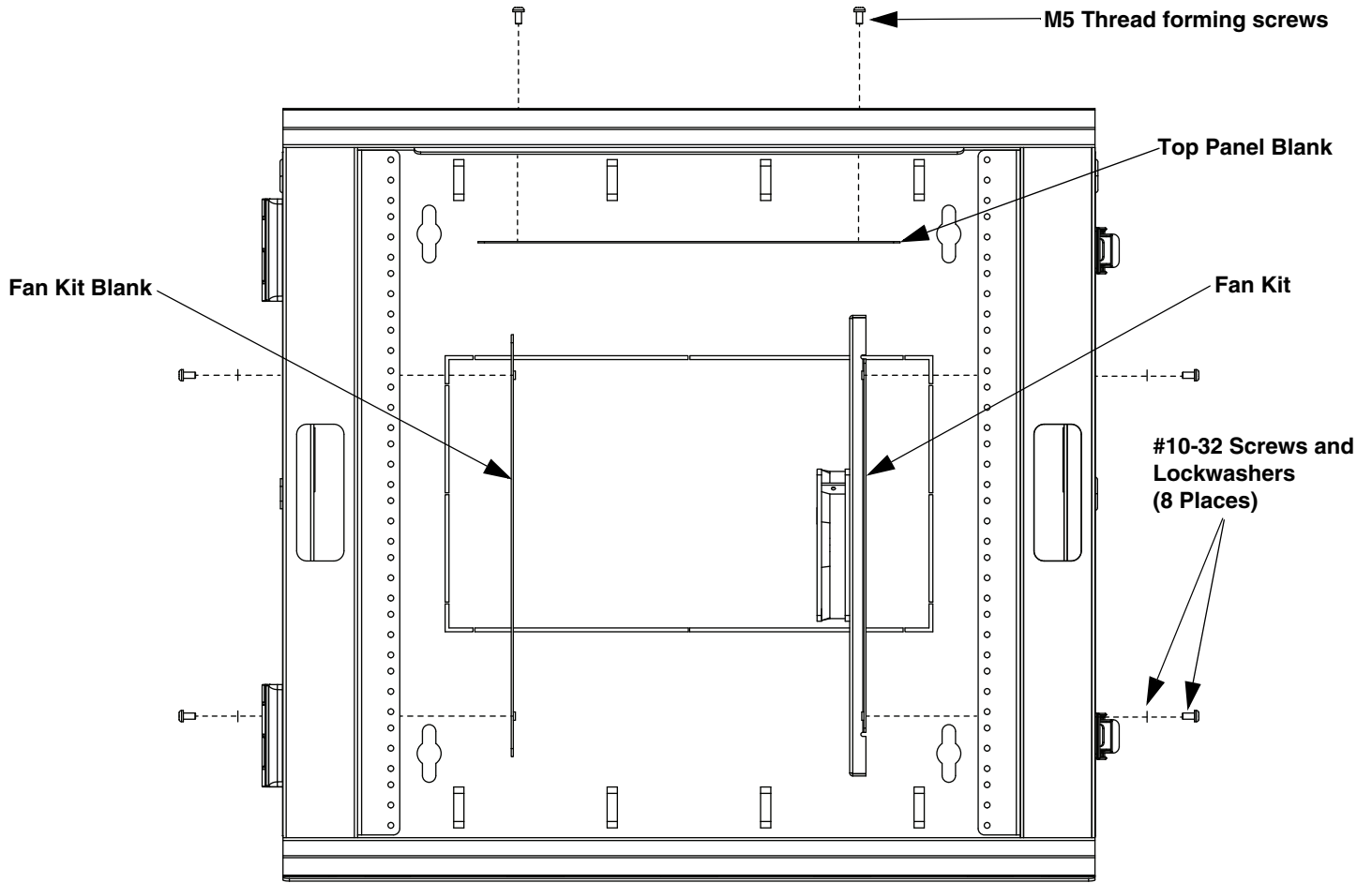
PANZONE Fan Kits (PZCFK, PZCFK-E, PZWMCFKHF, PZWMCFKHF-E)

Fan kits are installed using (4) #10-32 screws and lockwashers provided with kit as shown below. If only one fan kit is used, install the provided blank on the opposite wall using (4) #10-32 screws and lockwashers provided. For European Schuko (240V) plugs, use fan kits with '-E' part numbers

Scenario 1: Switches not exceeding 120 watts of total heat output use fan kit as shown.

Scenario 2: POE (Power over Ethernet) or switches totaling over 120 watts of total heat, use two PZCFK fan kits or one PZWMCFKHF. Mount second fan where blank is shown.

Optional: Remove Top Panel Blank for additional venting. A fan kit can be installed on top vent, but will occupy the top RU space. NOTE: Fan kits draw air into the cabinet.

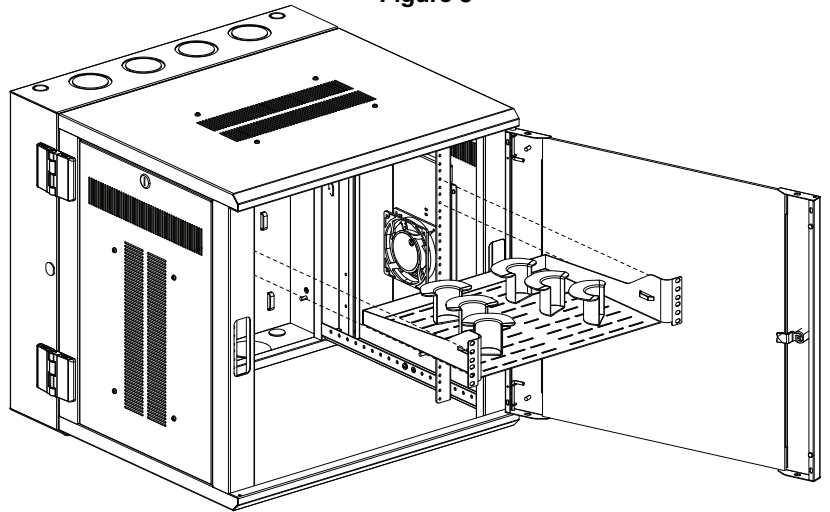
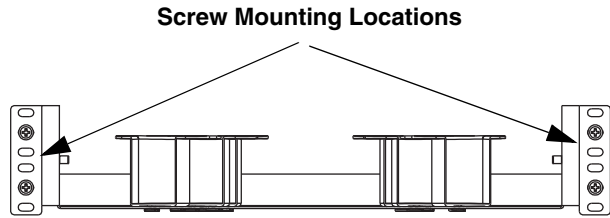


Note: When using switches with side air intake and opposite side exhaust use one fan without fan blank

PANZONE Horizontal Slack Manager

Install tray using (4) #12-24 x 1/2 screws provided at desired RU as shown in figure 3. Refer to recommended layout section for optimal mounting location(s).

Figure 3



Bend Radius Post Installation

Bend radius posts can be installed at any rack location using (1) #12-24 x 2.5" [(1) #12-24 x 1.5" for PZBR3] screw provided as shown in Figure 1. Post can be customized by removing tabs as show in Figure 2.

Note: Post may be installed over active equipment mounting locations.

Figure 1

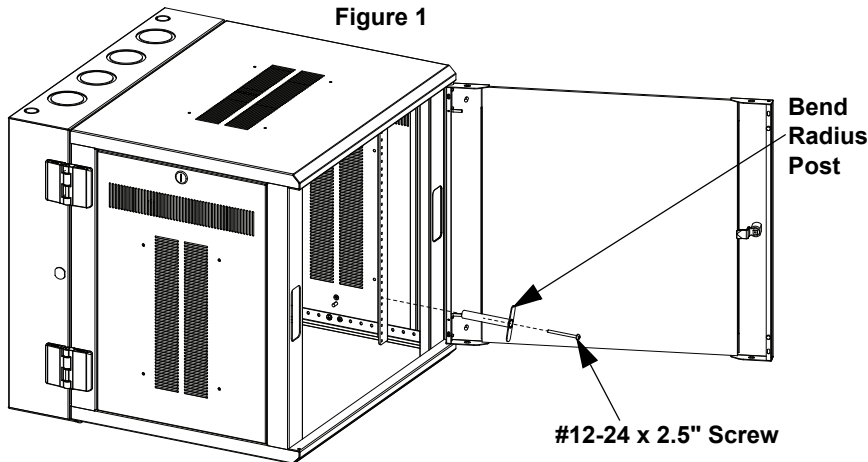
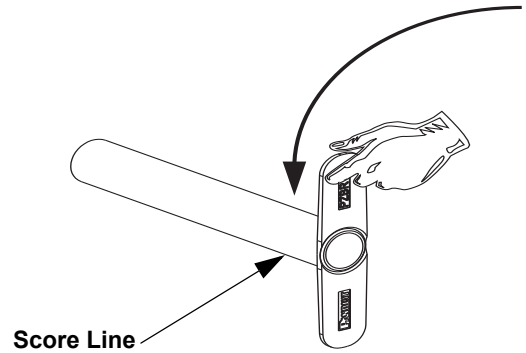


Figure 2



PANZONE Lock Kits (PZWMC-CL)

Kit Contents

- Combination locks (2)
- Spacer rings (2)
- Cylinder nuts (2)
- Retaining screw (2)
- Lock washers (2)
- Flat washers (2)
- Direction setting washers (2)

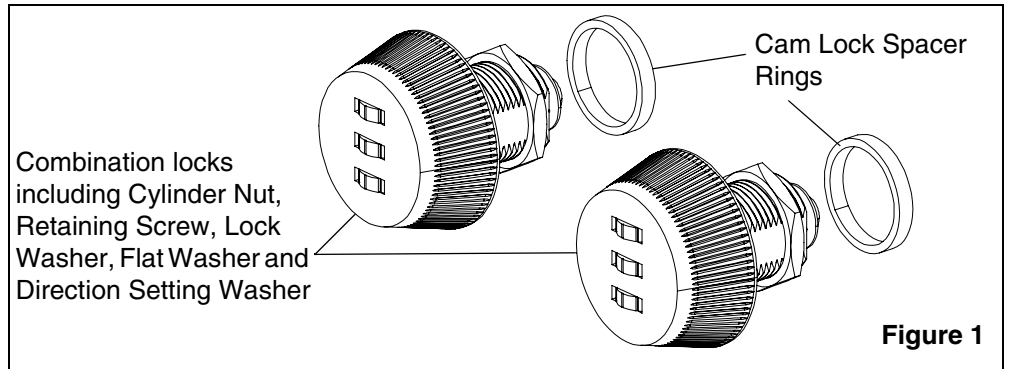
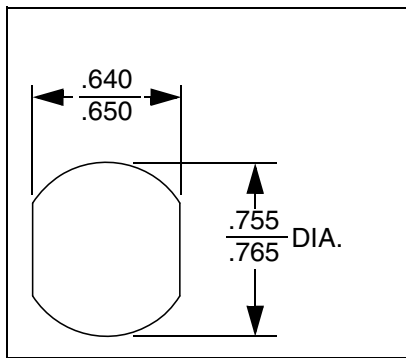


Figure 1



Mounting Cutout

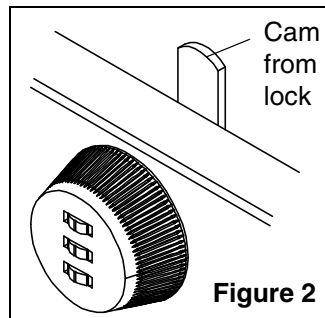


Figure 2

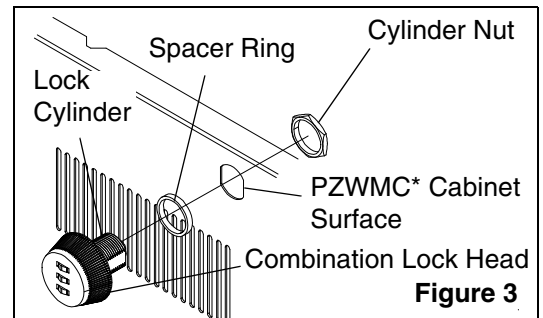


Figure 3

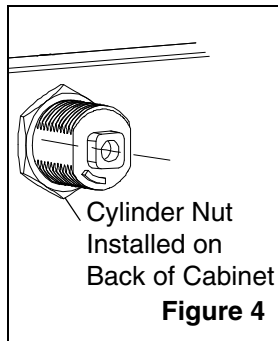


Figure 4

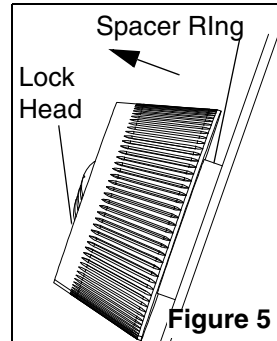


Figure 5

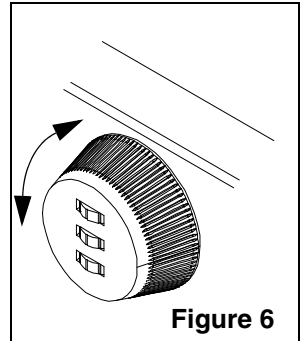


Figure 6

- Remove the existing locks from the cabinet and save cams for later use. (Figure 2)
- Remove the Cylinder Nut from the Combination Lock and insert the Spacer Ring over the Lock Cylinder. (Figure 3)
- Install the Combination Lock onto the Cabinet and tighten the Cylinder Nut. The Lock Head should be spaced away from the Cabinet Surface. (Figures 3 & 4)
- Remove the Retaining Screw, Lock Washer, Flat Washer, and Direction Setting Washer.
- Pull the Lock Head from the cylinder and rotate until oriented in the desired direction. (Figures 5-7)

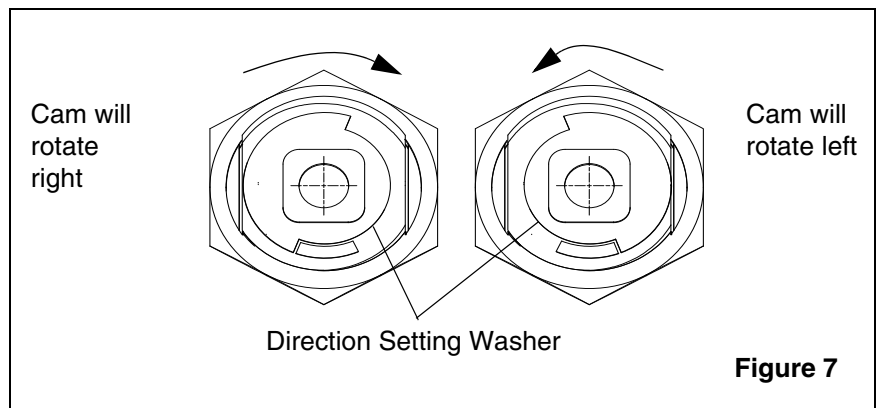


Figure 7

Installation (continued)

- Install the remaining parts in the following order: Direction Setting Washer, Cam (saved from previous lock), Flat Washer, Lock Washer, and Retaining Screw. (Figure 7)
- Set the lock to the factory combination 0-0-0.
- Test lock rotation direction. Adjust cam angle if necessary

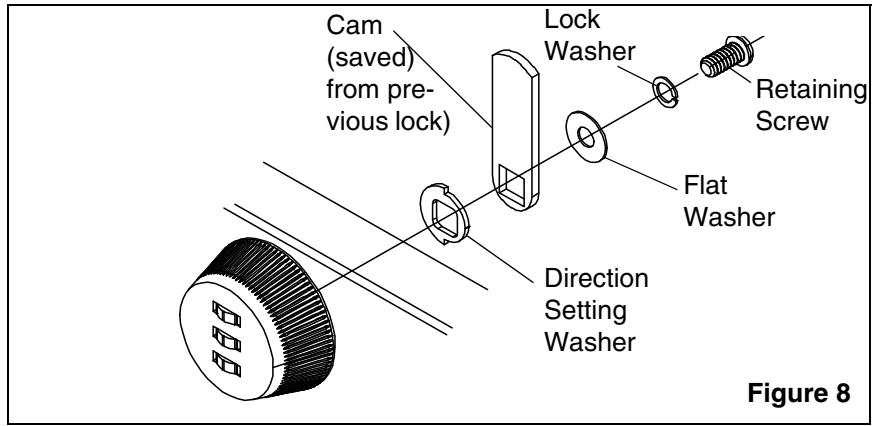


Figure 8

To Change Combination:

- Set the lock to the previous combination or factory combination (0-0-0).
- Push reset button with pin. (Figure 9)
- While reset button is pushed, scroll numbers to the desired combination. (Figure 9)
- Release the reset button to set the combination.

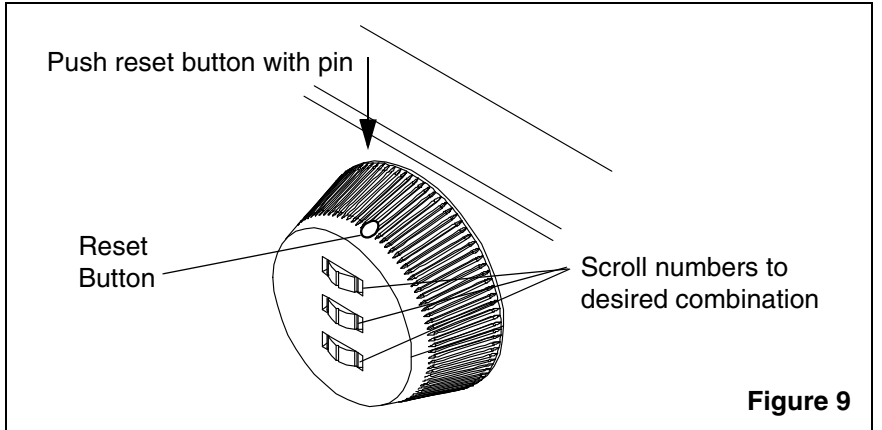


Figure 9

To Hide the Reset Button:

- Set the lock to the desired combination.
- Remove the direction setting washer, cam, flat washer, lock washer, and retaining screw. (Figure 12)
- Pull out the lock head and rotate 180°. (Figures 10-11)
- Reinstall the direction setting washer, cam, flat washer, lock washer, and retaining screw. (Figure 12)

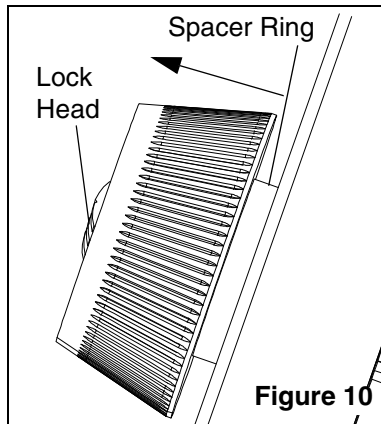


Figure 10

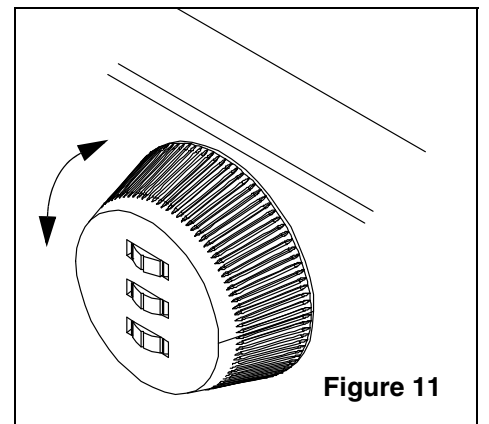


Figure 11

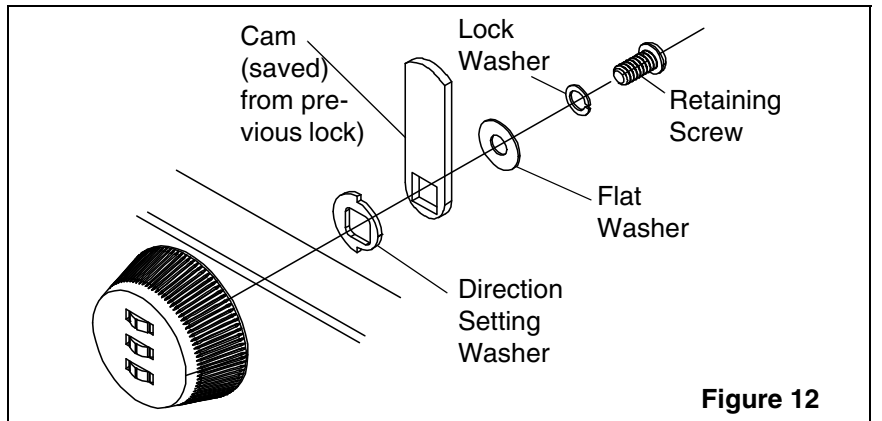
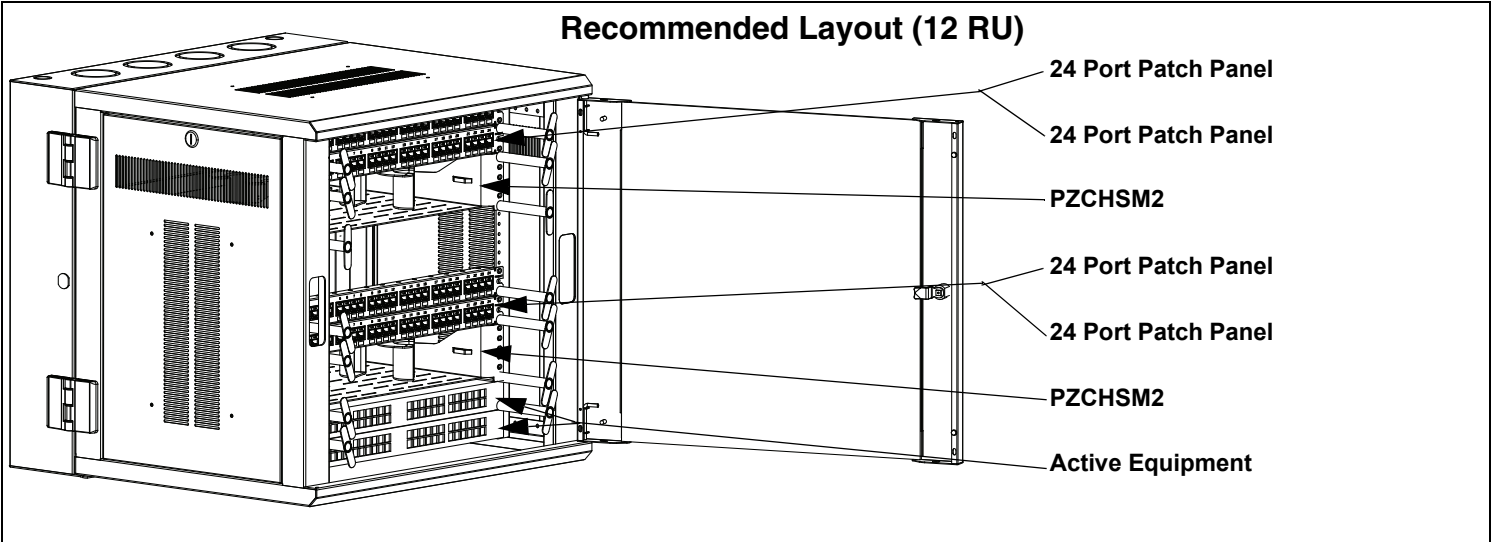
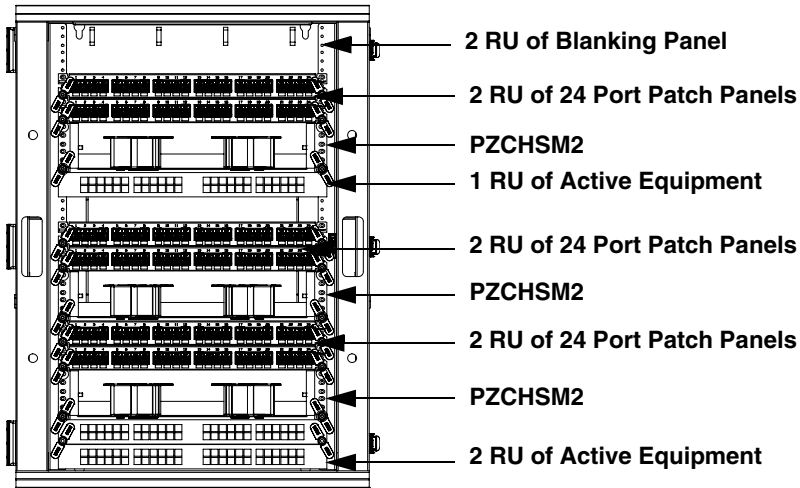


Figure 12

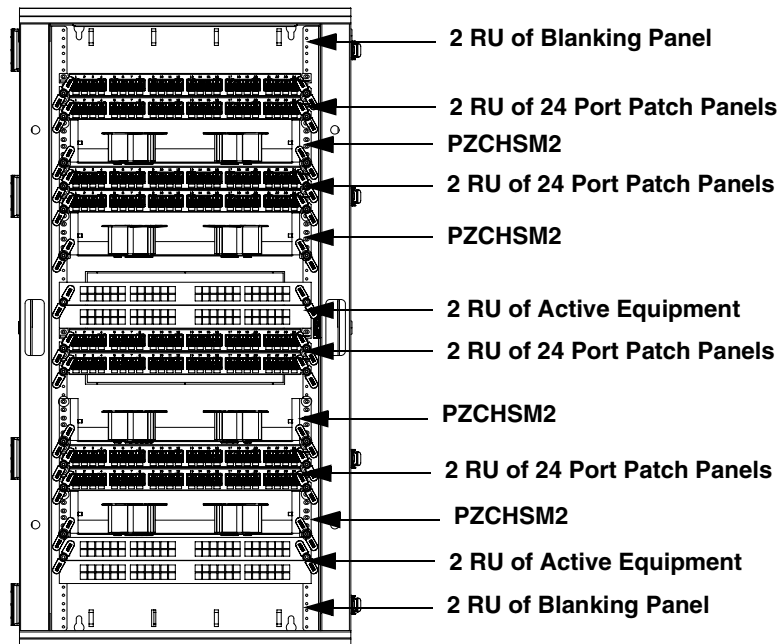
Recommended Layout (12 RU)



Recommended Layout (18 RU)



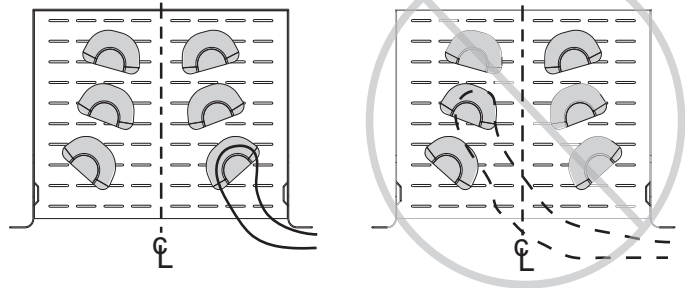
Recommended Layout (26 RU)



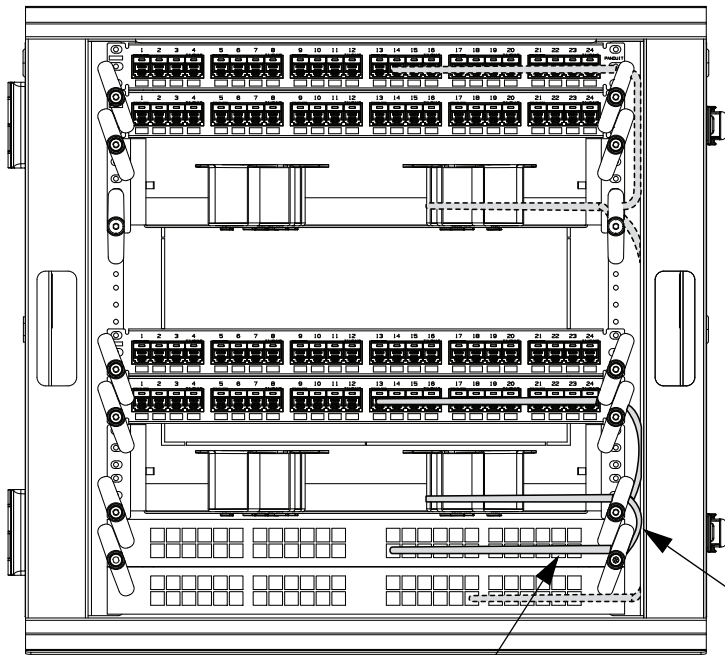
Recommended Cable Routing Guide

Place patch cord slack around furthest spool as feasible to provide best possible cable management

Top View of PZCHSM2

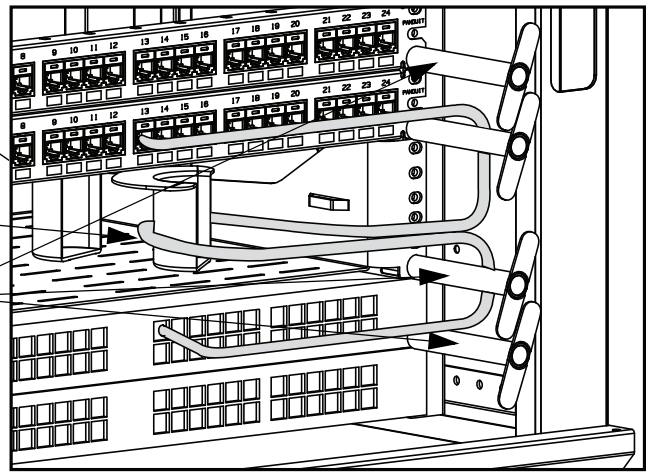


Never cross over center line of horizontal slack manager with cable slack

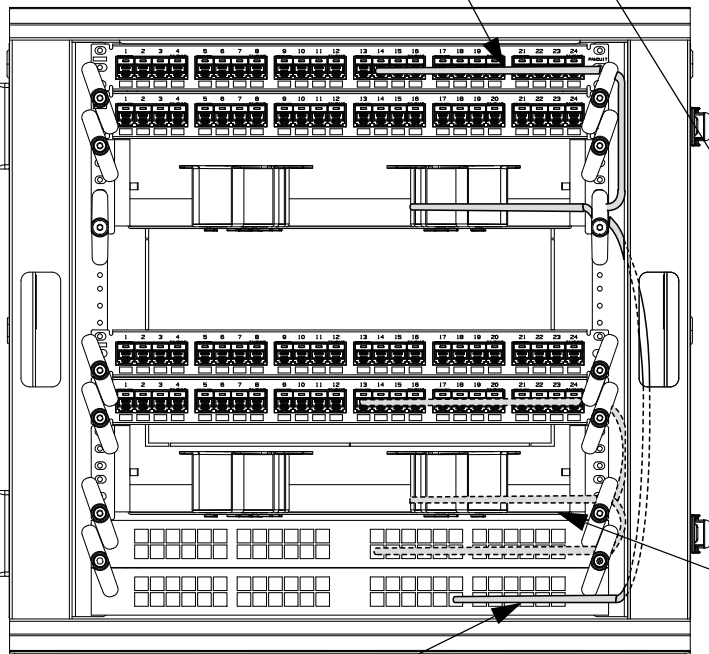


Typical patch cord length is 4 feet minimum
Route patch cords as shown to avoid crossover

Recommended Mounting Locations for Bend Radius Posts

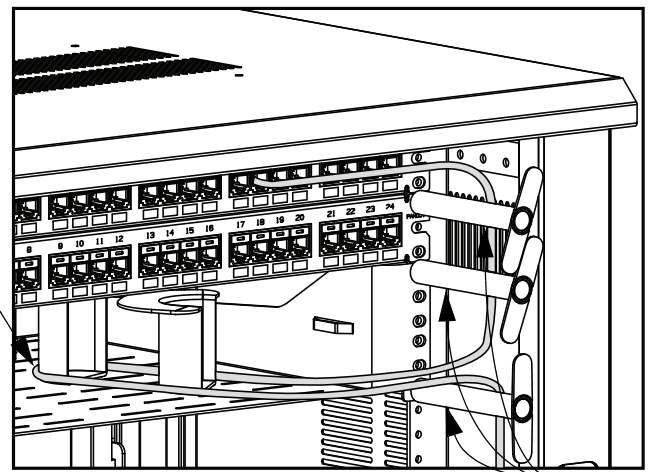


Typical patch cord length is 5 feet minimum
Route patch cords as shown to avoid crossover



Routed to top Horizontal Slack Manager

Lower Horizontal Manager



Recommended Mounting Locations for Bend Radius Posts

Route patch cords going to top horizontal slack towards the outside of the cabinet to avoid cross overs with patch cords going to lower slack manager.

For instructions in Local Languages and Technical Support:

www.panduit.com/resources/install_maintain.asp



E-mail: techsupport@panduit.com
Phone: 866-405-6654