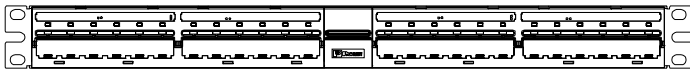
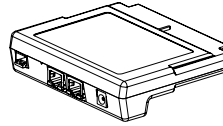


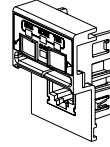
Hardware Components



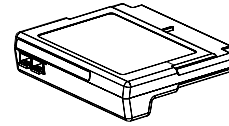
(4) PANVIEW iQ Patch Panels



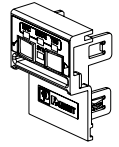
(1) Panel Manager (PM)



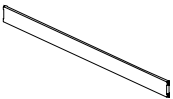
(1) PM Interface Unit



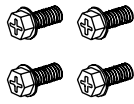
(3) Expansion Modules (EM)



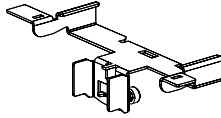
(3) EM Interface Units



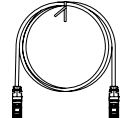
(16) ULTIMATE ID Label Covers



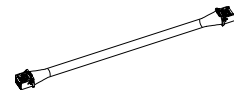
(16) Grounded Bonding Screws



(4) Mounting Brackets for PANVIEW iQ Modules

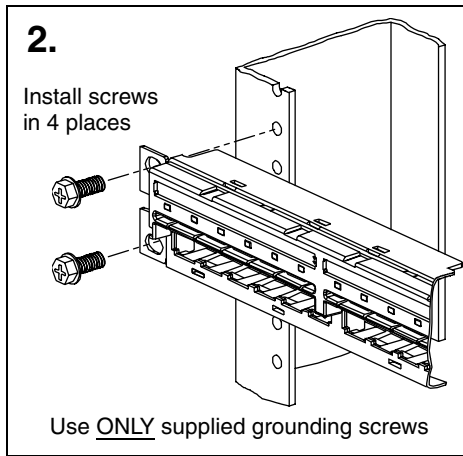
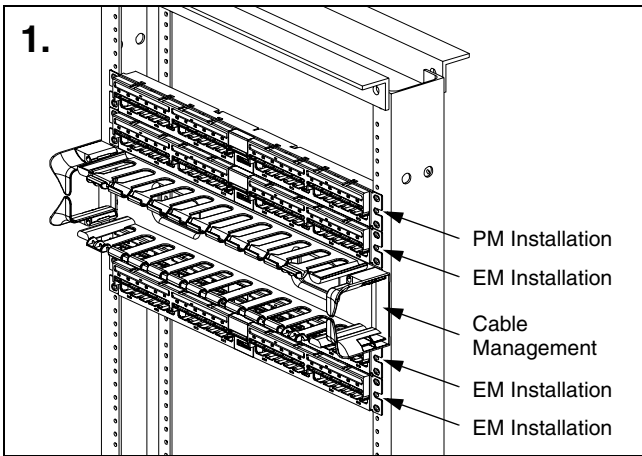


(1) Patch Cord



(3) Expansion Port Cables

Rack Mounting and Grounding



Warning If supplied screws do not fit or work with your rack or rack cabinet to provide appropriate grounding, the following **STRUCTUREDGROUND** Rack Kits from **PANDUIT** are recommended:

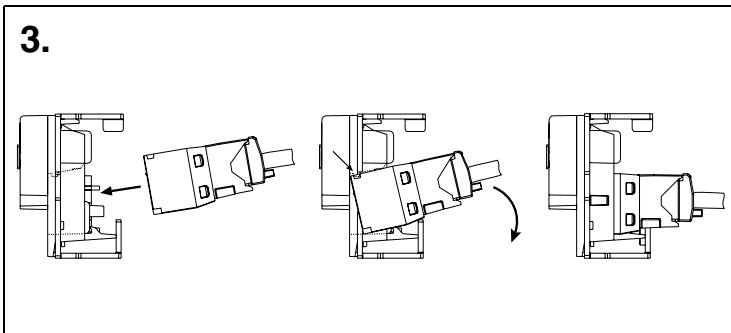
- Grounding Strip Kit (Part # RGS134-1Y)
- ESD Port Kit (Part # RGEDS2-1)
- CBN Network Jumper Kit (Part # RGCBNJ660P22)

While PViQ Patch Panels work interchangeably with either the Panel Manager (PM) or the Expansion Module (EM), it is recommended that PViQ Patch Panels be placed in a manner that will efficiently accommodate one (1) PM for every three (3) EMs, with appropriate cable management installed for proper cable routing. **NOTE:** PM can be arranged at either the top or bottom of order depending on need or preference.

Mount the PViQ Patch Panel onto the face of the rack or rack cabinet using supplied grounding screws (as shown).

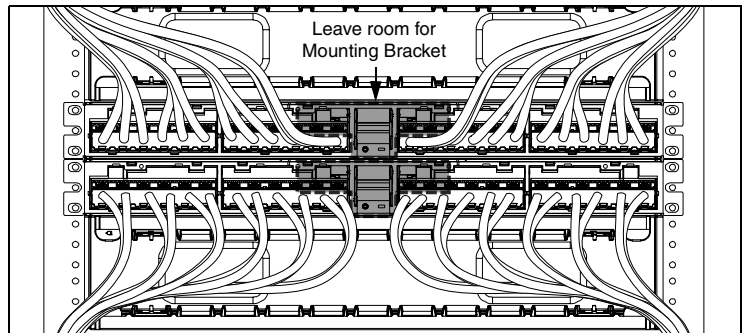
PViQ Patch Panels **MUST** be properly grounded to ensure accurate system operation.

Module Installation



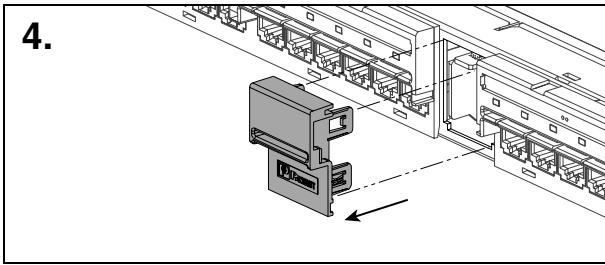
With the PViQ Patch Panel secured to the rack or cabinet, proceed to install terminated jack modules into the patch panel (as shown above). **NOTE:** The PViQ Patch Panel accepts all **MINI-COM** Copper Jack Modules and LC Fiber Adapters.

(Recommended) Cable Routing

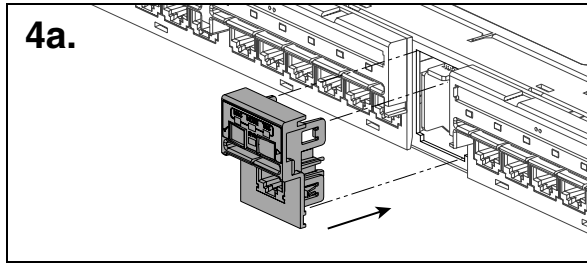


It is advisable to prepare cable management by routing cables into a left/right and upper/lower separation as you install the terminated jack modules (as shown above) to reserve appropriate space for the addition of mounting bracket later.

Installing the Interface Unit



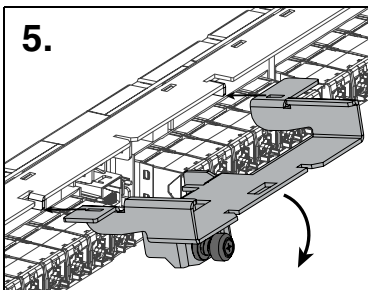
4. To remove the blank plastic interface unit, grip the top and bottom of the unit and then pull it directly outward from the PViQ Patch Panel. If it cannot be removed easily in this manner, a screwdriver can be inserted from behind the panel to push the unit out.



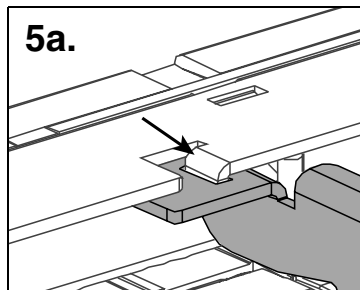
4a. Insert the new PM or EM Interface Unit into the front center of the patch panel, gently pushing it into the open slot until it snaps into place.

NOTE:
Be sure to match the proper Interface Unit included with each module (i.e. PM Interface Unit with PM module)

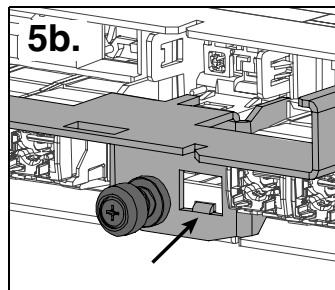
Mounting Bracket Installation



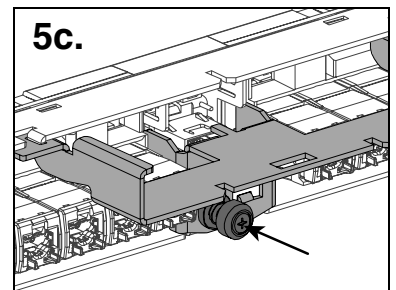
5. Locate and tilt the mounting bracket downward into the center of the PViQ Patch Panel.



5a. Pivot bracket until the tabs on the patch panel rest inside the slots of the mounting bracket.

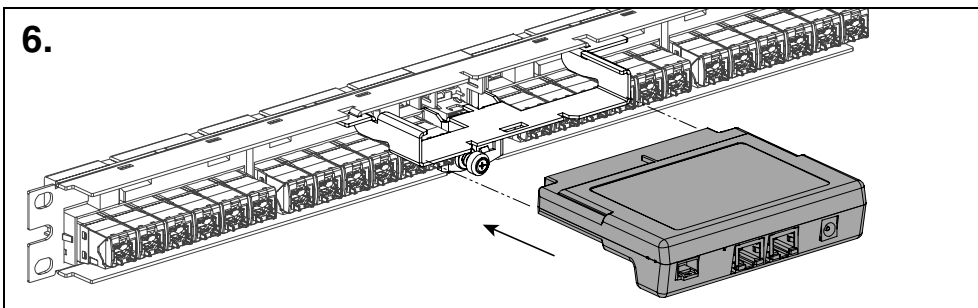


5b. Next apply forward and upward pressure until bracket slides into the catch on the patch panel.

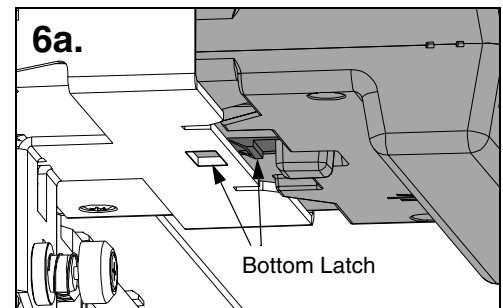


5c. Secure the bracket to the patch panel using a phillips-head screwdriver to push in and turn the securing screw.

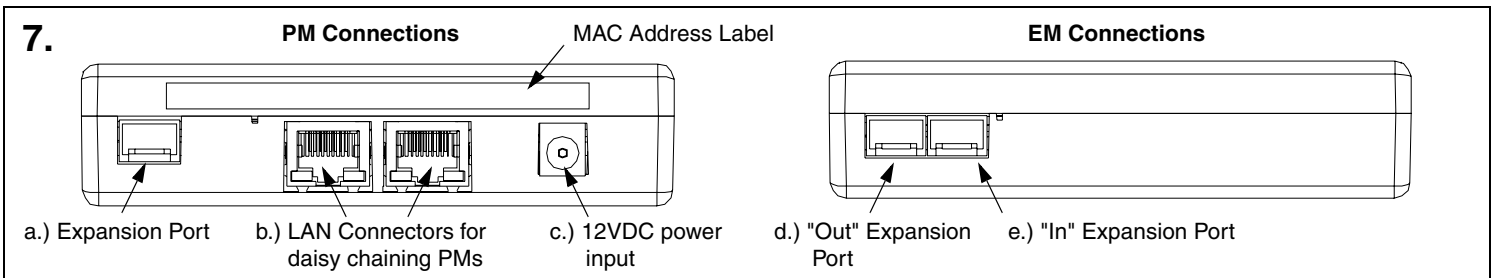
Installing the Panel Manager (PM) or Expansion Module (EM)



6. Slide the PM or EM into the mounting bracket until the latch on the bottom of the PM or EM snaps into the slot on the mounting bracket.



Understanding PM and EM Connections



PM Connections - The PM module includes: a.) Expansion Port which is used to connect the PM to the first EM in a chain; b.) LAN Connectors that connect the PMs to the LAN (either port may be used for connecting to LAN or subsequent PMs); c.) 12VDC power input supplied by power supply (PANDUIT Part# PVQ-PS12VDC-*, sold separately).

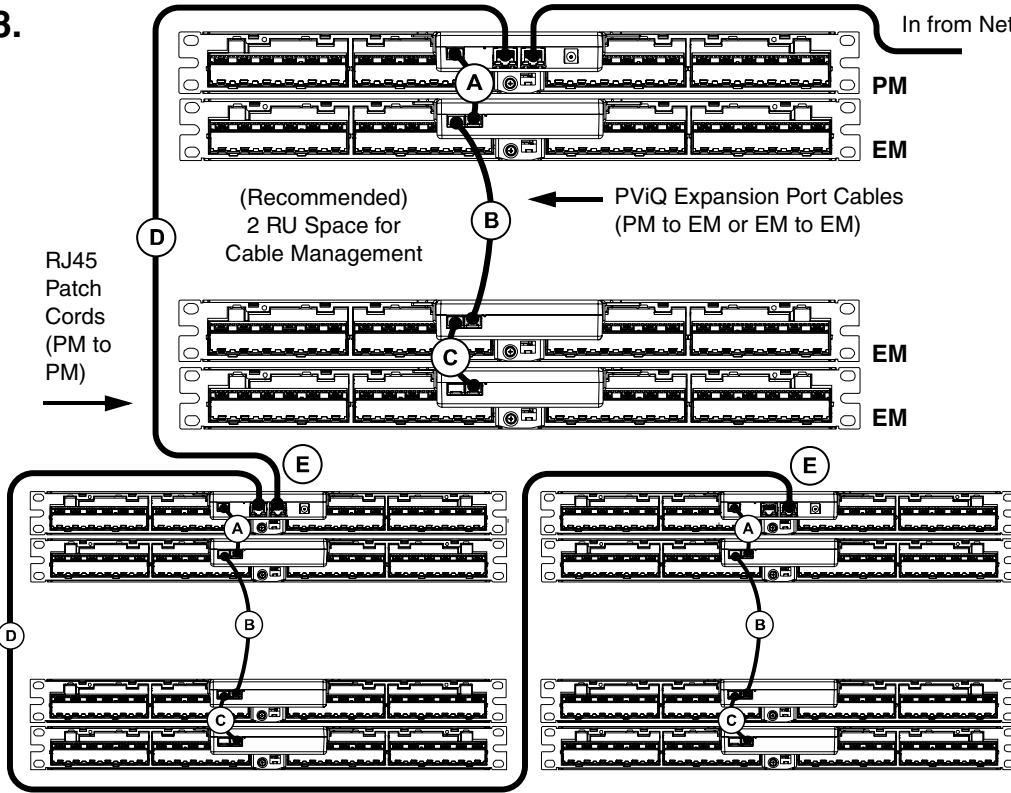
EM Connections - The EM module includes expansion ports which are used to connect the EMs to the PM or subsequent EMs. d.) The "Out" port connects to downstream EMs. e.) The "In" port connects to either the PM or upstream EMs.

* Denotes regional power supply.

For Technical Support: www.panduit.com/resources/install_maintain.asp

PM and EM Connection Configuration - (Back View of Installation)

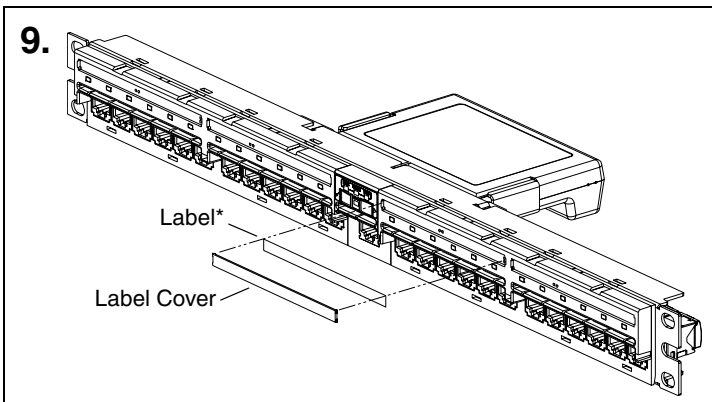
8.



- A** Attach an Expansion Port cable from the Expansion Port on the PM to the "In" port on the first EM in the chain.
- B** Use an Expansion Port cable to connect the "Out" port of first EM to the "In" port of the next EM in the chain.
- C** Repeat step B for subsequent panels with EMs.
NOTE: A single PM can support a maximum of three EMs.
- D** Multiple PM/EM chains can be connected together via the PM LAN connectors, using standard RJ45 patch cords (included).
NOTE: A maximum of 30 PMs can be cascaded together.
- E** Repeat steps A to D as required.

Label / Label Cover Installation

9.



Suggested Label Solutions for TIA/EIA-606-A Compliance

| Patch Panel Part Number | Laser/Ink Jet Desktop Printer Label | PANTHER LS8E Hand-Held Printer Label | COUGAR LS9 Hand-Held Printer Label |
|-------------------------|-------------------------------------|--------------------------------------|------------------------------------|
| All PViQ Patch Panels | UILJ6 | UILS8BW | UILS8BW |

To label PViQ Panel according to TIA/EIA-606-A standard, *ULTIMATE ID* labels (not included) should be created and installed (as shown). Label covers (included) should be installed to protect the label.

* Write on labels are not included with this patch panel per TIA-EIA-606-A standard which states: "To maximize legibility, all labels shall be printed or generated by a mechanical device, and shall not be written by hand." (Refer to table above for label products)

WARNINGS:

If a non-PANDUIT power source is used, it must:

- Provide over current protection appropriate to the size of the power wiring connected to the PViQ System.
- Provide an isolated (SELV) source per National requirements.
- Be certified for use with ITE equipment per National requirements.
- Provide a nominal 12VDC source to the PM (min. 11.4VDC and max 12.6VDC).
- Provide a 12VDC output which is electrically isolated from earth ground (minimum 1500 V isolation).
- Have an output power rating of minimum 30W, which is sufficient for powering PViQ System and associated loads.

PViQ European Emissions Warning:

Product is not intended for use in a residential environment. Use of this product in residential areas may cause electromagnetic interference.

Notes:

1. Never touch un-insulated communications wiring or terminals unless the communication line has been disconnected at the network interface.
2. Only trained and qualified service personnel should install or service PViQ Systems.
3. Before installing or servicing PViQ or communication wiring, be aware of the potential for electrostatic discharge (ESD).

ATTENTION:

Observe precautions for handling electrostatic sensitive electronic devices when installing this product. Ensure that you are properly grounded with a wrist strap or equivalent while installing PM or EM modules.

For Instructions in Local Languages and Technical Support:

www.panduit.com/resources/install_maintain.asp



www.panduit.com

E-mail:
cs@panduit.com

Fax:
(708) 444-6993