



Product designation				Earth leakage relays
Product type designation				RC
General characteristics				
Description				Compact, 1 operating threshold
N° of operating threshold				1
Control circuit				
Toroidal transformer				Incorporated diam. 110mm/4.33"
Adjustments				
	Tripping set-point ($I_{\Delta n}$)			
		(x0.1)	A	0.025...0.25
		(x1)	A	0.25...2.5
		(x10)	A	2.5...25
	Tripping delay time			
		(tx1)	s	0.02...0.5
		(tx10)	s	0.2...5
Selection of multiplier for $I_{\Delta n}$ and t				By dip switches
Resetting				Configurable automatic or manual by button on front
Test Button				Yes
Shunt circuit control				No
Auxiliary supply				
Auxiliary rated supply voltage U_s				24-48VAC/DC
Output contacts				1
Rated frequency			Hz	50...60
Power consumption Max			VA	3
Relay outputs				
Relay state				Normally de-energised
Contact arrangement				1 changeover SPDT (trip)
Rated contact capacity IEC Ith				5A - 250VAC
Insulations				
Power frequency withstand voltage			kV	2.5kV for 60s
Indications				
Auxiliary voltage available (ON)				Green LED
Relay tripping (TRIP)				Red LED
Connections				
Terminals type				Fixed
Tightening torque for terminals				

		max	Nm	0.5
		max	lbin	4.5
Conductor section	AWG/Kcmil	min		24
		max		12
	IEC	min	mm ²	0.2
		max	mm ²	2.5

Operations

Mechanical life		cycles	50000000
Electrical life		cycles	300000

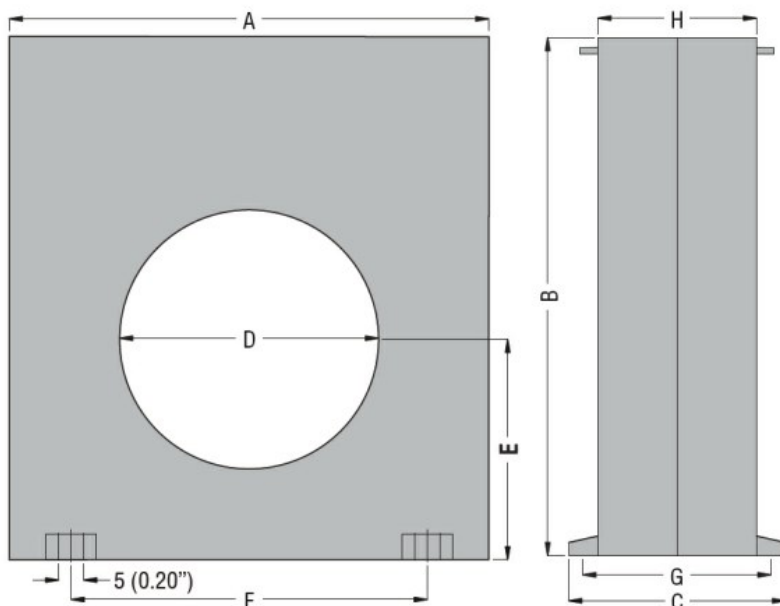
Ambient conditions

Temperature	Operating temperature	min	°C	-10
		max	°C	+60
	Storage temperature	min	°C	-20
		max	°C	+80
Relative humidity		%		≤90%

Housing

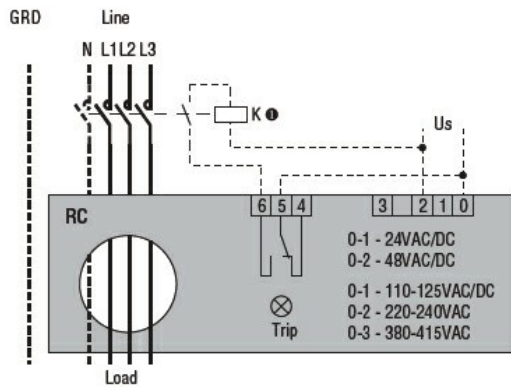
Material		Self-extinguishing polycarbonate
Mounting		35mm DIN rail
Degree of protection		IP20 terminals
Dimensions (W x H x D)	mm	150x160x70
Weight	g	485

Dimensions



TYPE	A	B	C	D	E	F	G	H
RC35	100 (3.94")	110 (4.33")	70 (2.75")	35 (1.38")	47 (1.85")	60 (2.36")	60 (2.36")	50 (1.97")
RC60	100 (3.94")	110 (4.33")	70 (2.75")	60 (2.36")	47 (1.85")	60 (2.36")	60 (2.36")	50 (1.97")
RC80	150 (5.90")	160 (6.30")	70 (2.75")	80 (3.15")	70 (2.75")	110 (4.33")	60 (2.36")	50 (1.97")
RC110	150 (5.90")	160 (6.30")	70 (2.75")	110 (4.33")	70 (2.75")	110 (4.33")	60 (2.36")	50 (1.97")

Wiring diagrams



Certifications and compliance

Compliant with standards

IEC/EN 60947-2

Certificates

EAC

ETIM classification

ETIM 8.0

EC001445 -
 Residual current
 monitoring relay