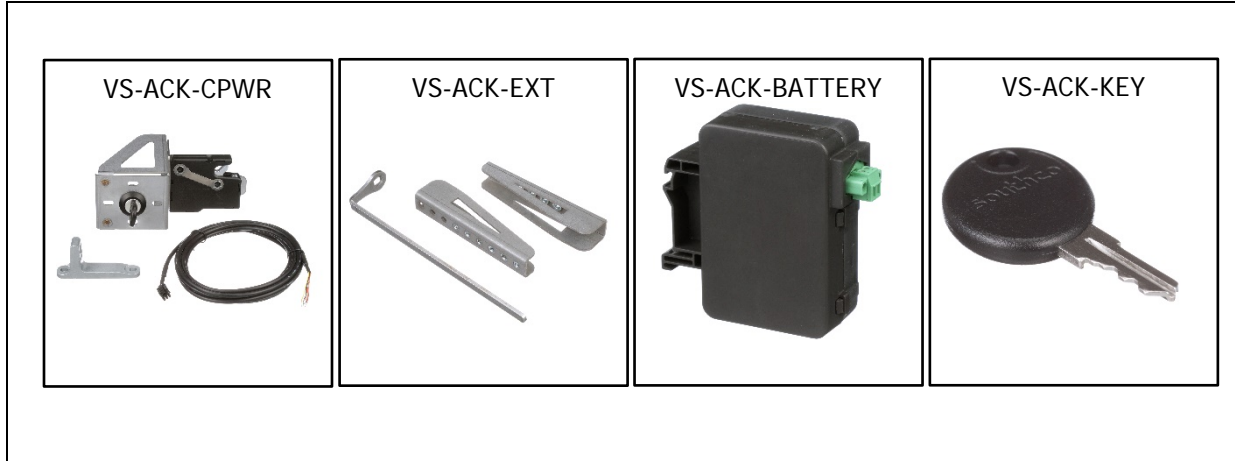


Instruction Manual

Models: VS-ACK-CPWR, VS-ACK-EXT, VS-ACK-KEY & VS-ACK-BATTERY

© Panduit Corp. 2019

Original Instructions



The VeriSafe Access Control Kit, installed with the VeriSafe Absence of Voltage Tester, provides an added layer of protection by preventing enclosure doors from being opened until absence of voltage is confirmed. Before entering the electrical cabinet, personnel will use the VeriSafe Absence of Voltage Tester to test for absence of voltage. The VeriSafe Access Control Kit will receive a signal from the VeriSafe Absence of Voltage Tester when the absence of voltage is confirmed. The rotary latch will unlock, releasing the enclosure door and allow access to the equipment.



TO REDUCE THE RISK OF INJURY, USER MUST READ INSTRUCTION MANUAL



NOTE: In the interest of higher quality and value, Panduit products are continually being improved and updated. Consequently, pictures may vary from the enclosed product.

NOTE: Updates to this Instruction Manual may be available. Check www.panduit.com for the latest version of this manual.

North America Tech Support:
techsupport@panduit.com
Tel: 1-866-405-6654

EU Tech Support :
emeatoolservicecenter
@panduit.com
Tel: +31-546-580-452
Fax: +31-546-580-441

PANDUIT
www.panduit.com

Asia Pacific Tech Support:
TechSupportAP@panduit.com

Telephone:
Singapore: 1-800-Panduit (7263848)
Australia: 1-800-Panduit (7263848)
Korea: 02-21827300

Safety Information

This manual contains information and warnings which must be followed to ensure safe operation of the Access Control Kit. If the Access Control Kit is not used as described in this manual, the safety features of the Access Control Kit might be impaired. The Access Control Kit is designed for use with the VeriSafe AVT. Reference the VeriSafe AVT instruction manual for critical safety information, installation and operating instructions. **Failure to comply with the warnings and information in this manual could result in product failure, electrical shock, severe injury or death.**



Warning:



- *Always de-energize power before accessing an electrical enclosure.*
- *Always follow safety and lockout/tagout procedures when working on or near electrical systems and equipment.*
- *Use of the Access Control Kit does not replace lockout/tagout procedures. The Access Control Kit is intended to be used in conjunction with the VeriSafe AVT and the lockout/tagout processes.*
- *Use proper personal protective equipment (PPE) when working around sources of hazardous electrical energy.*
- *Do not use this product outside of the specified performance and environmental limits. Failure to comply with these specifications could result in product failure, personal injury or death.*
- *This product must be installed by a qualified electrical worker familiar with local and national electrical codes.*
- *Always comply with local installation codes and standards.*
- *The VS-ACK-BATTERY product uses a lithium battery that is a fire, explosion and severe burn hazard. Do not crush, recharge, disassemble or heat above 85° C, incinerate, or expose contents to water.*
- *Use only the included Wire Harness or approved replacement harness to connect the Rotary Latch and VeriSafe AVT.*

Technical Specifications



Warning: Do not use this product outside of the specified performance and environmental limits. Failure to comply with these specifications could result in product failure, personal injury, or death.

Standards

RoHS	Restriction of hazardous substances
------	-------------------------------------

Applications

Electrical System	For use in 1 and 3-phase AC or DC systems
Degree of Protection*	For Flat Surface Mounting in a TYPE (UL, NEMA and CSA) 1, 12, 4, IP65 Enclosure

*Degree of protection specified is related to the Latch Cam only. To meet the TYPE (UL, NEMA and CSA) 1, 12, 4, IP65 requirements, mount on a flat surface of an enclosure meeting the appropriate TYPE rating. Verify that the Sealing Washer is clean and properly seated onto the Latch Cam to ensure proper sealing.

Environment

Operating Temperature	-25°C to 60°C (-13°F to 140°F)
Storage Temperature	-45°C to 85°C (-50°F to 185°F)
Humidity	5 to 90% non-condensing; Rated 80% at 40°C, decreasing linearly to 50% at 60°C

VS-ACK-BATTERY

Type	Industrial 9V Metal Lithium (qty: 2)
Classification	Non-Rechargeable
Designation	ANSI-1604LC
Operating Temperature	-20°C to 60°C (-4°F to 140°F)
Mounting Type	DIN Rail or Surface Mount
Estimated Capacity	1 cycle per week for 10 years

VS-ACK-CPWR Install Instructions

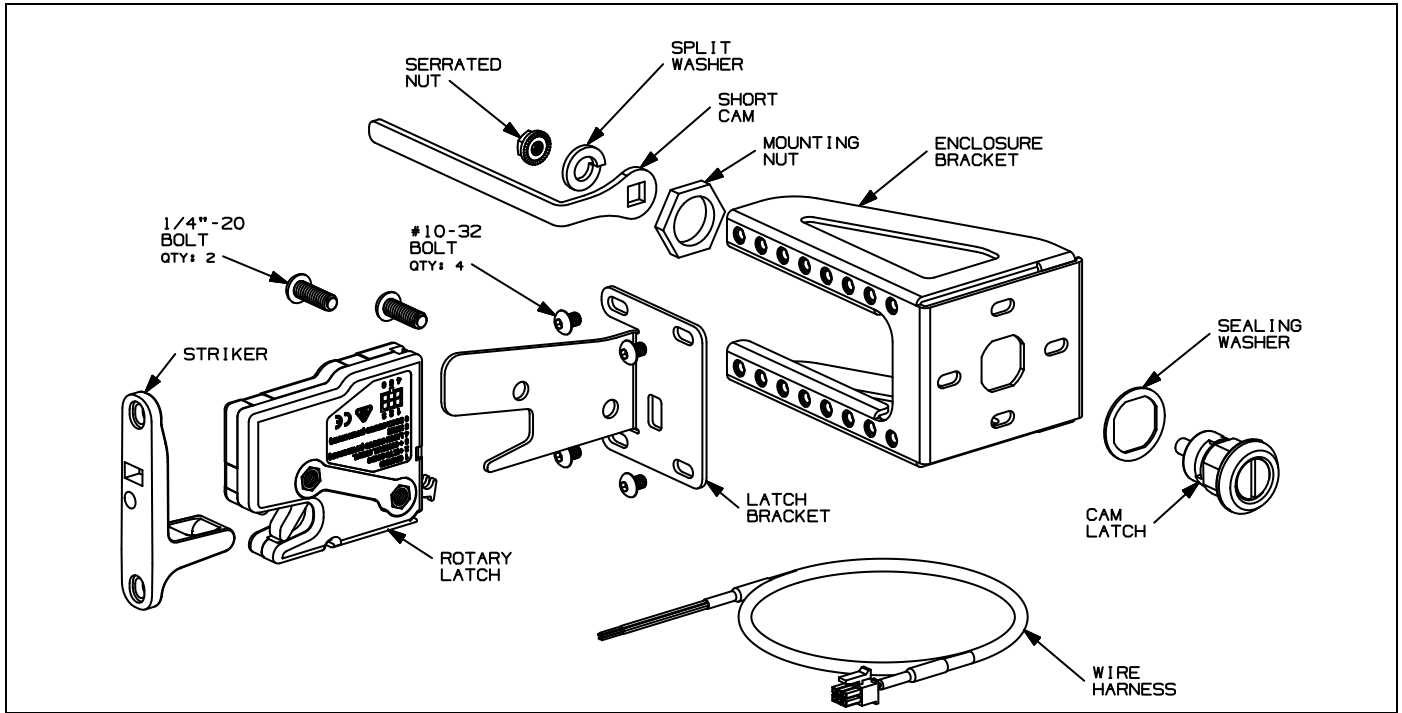


Figure 1 - Components of the VeriSafe Access Control Kit – Control Power (VS-ACK-CPWR)

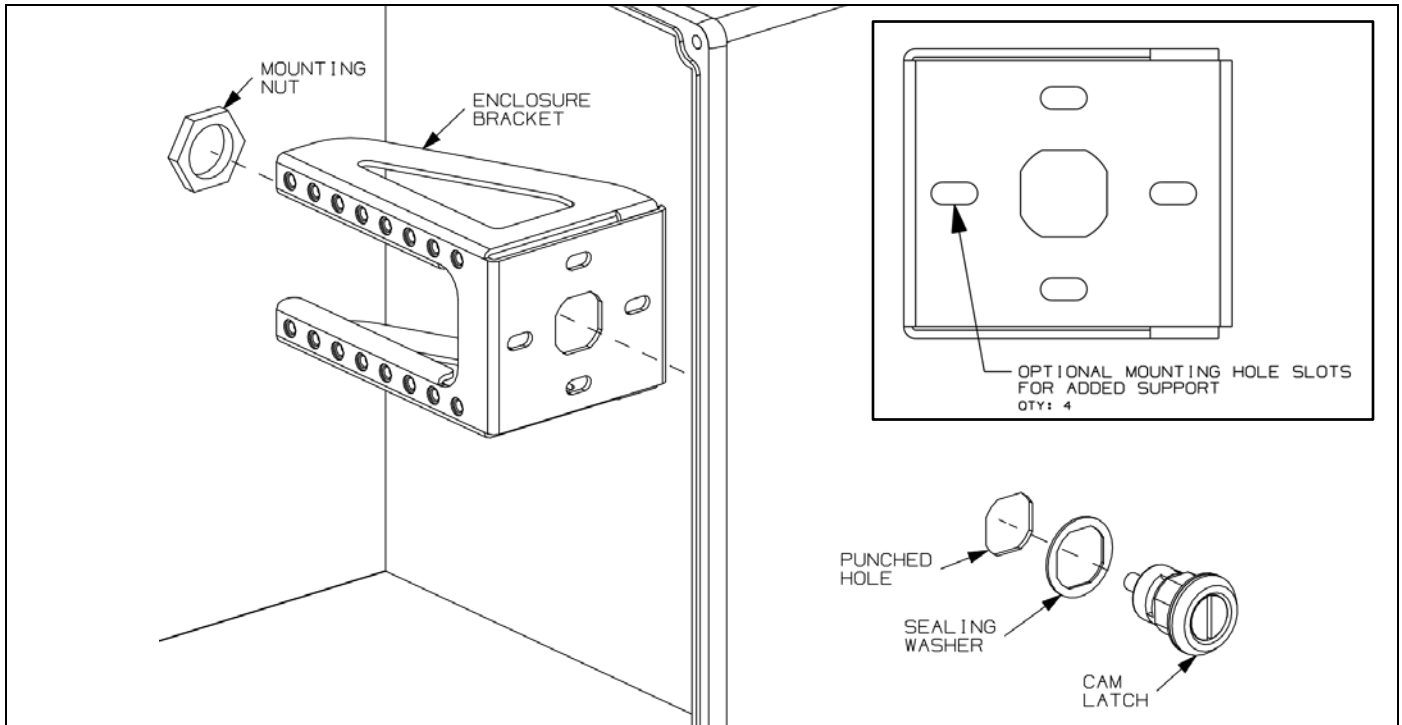


Figure 2 – Quick Assembly Guide 1 – Control Power (VS-ACK-CPWR)

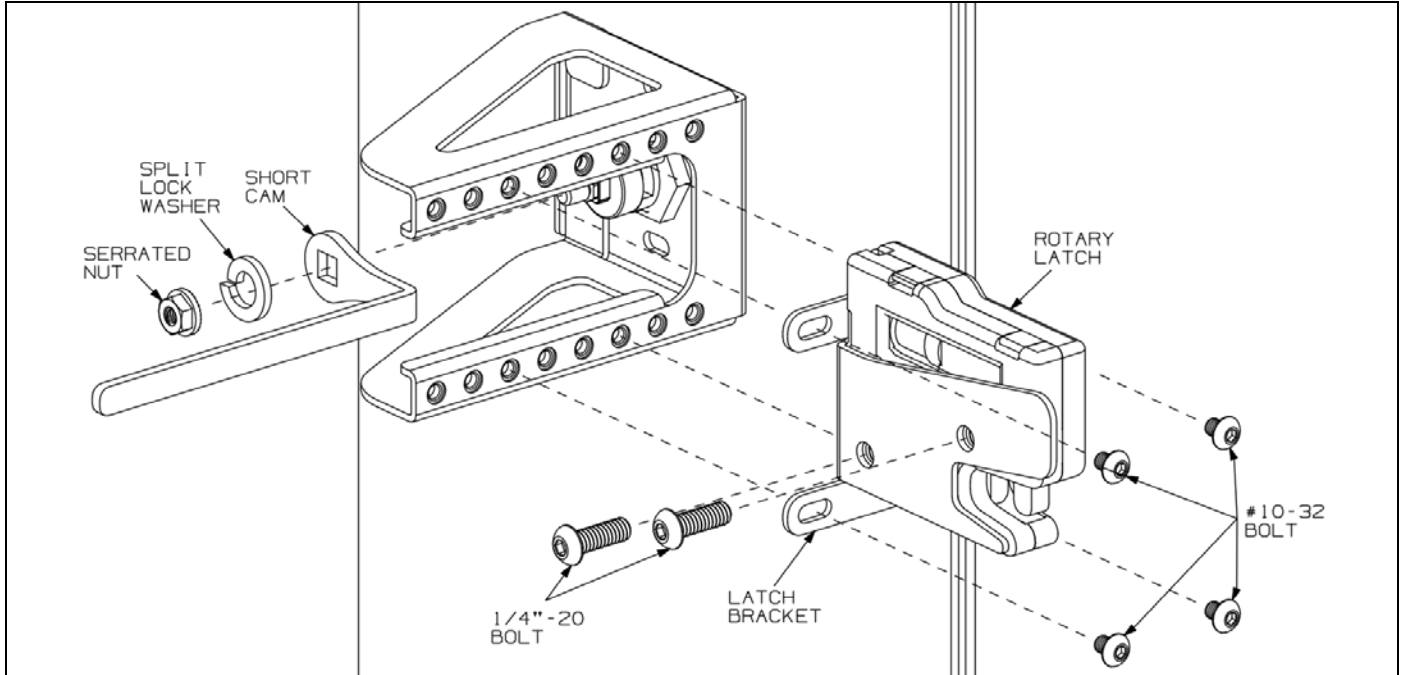


Figure 3 – Quick Assembly Guide 2 – Control Power (VS-ACK-CPWR)

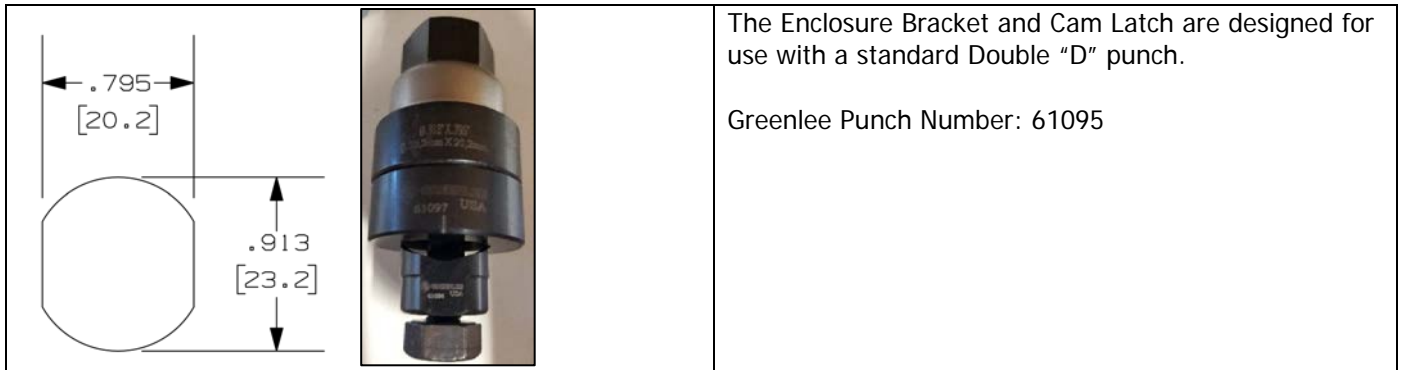


Figure 4 – Punch Knockout

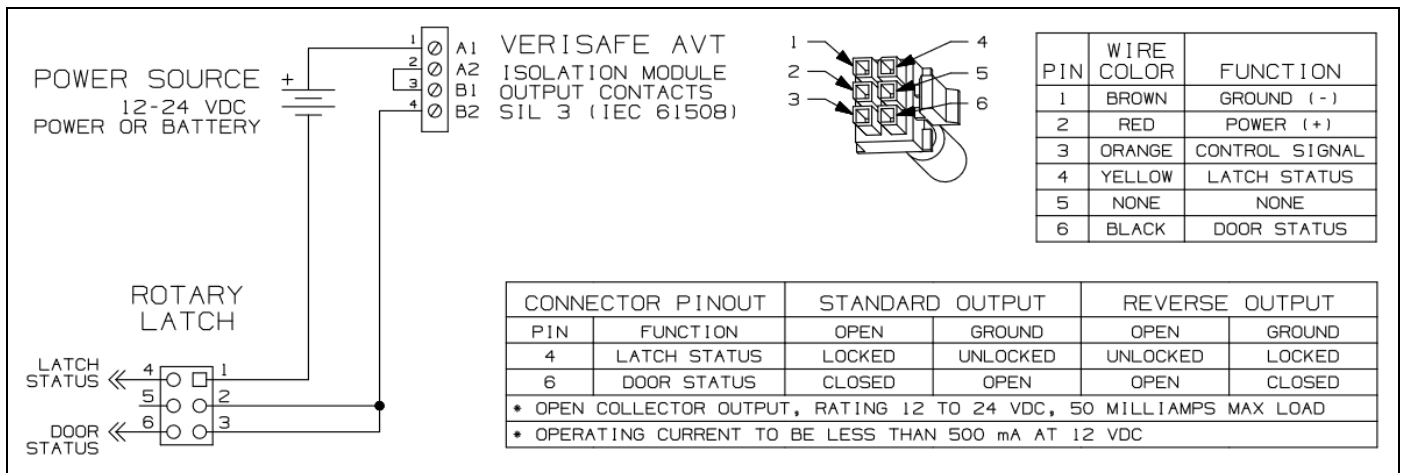


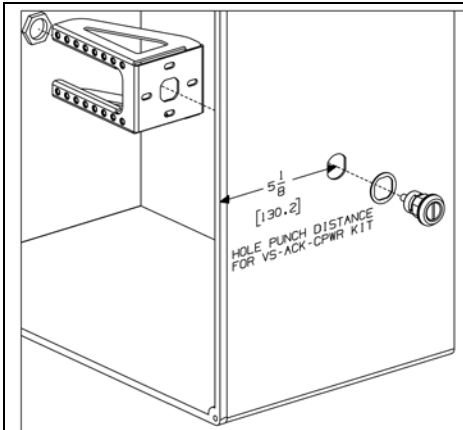
Figure 5 – Wiring Schematic

Installation Instructions



Warning:

- The ACK must be installed correctly and grounded as described in this Instruction Manual to operate properly.
- Always de-energize power before accessing an electrical enclosure.
- Use proper personal protective equipment (PPE) when working around sources of hazardous electrical energy.
- Always follow safety and lockout/tagout procedures when working on or near electrical systems and equipment.
- Do not use this product outside of the specified performance and environmental limits.
- Always comply with local installation codes and standards.



1. Locate position for the knockout hole by measuring 5-1/8 inches from the surface where the cabinet door seats to the desired mounting location on the side of the cabinet (when installing the VS-ACK-EXT kit refer to VS-ACK-EXT install instructions for proper hole distance). Use Double "D" knockout (not included) to punch hole. Ensure that the punch is positioned properly. The punch flats shall be vertical (see **figure 4**).



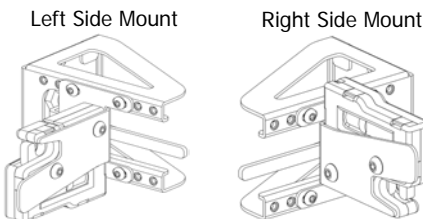
2. Insert the Cam Latch into the knockout hole. Ensure that the Sealing Washer is properly seated between the panel wall and the Cam Latch (see **figure 2**).



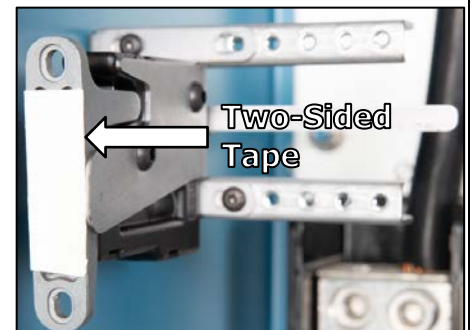
3. Install the Enclosure Bracket onto the Cam Latch and hand tighten the Mounting Nut. Check that the bracket is level and finish tightening the Mounting Nut to 88 IN*LB (10 N*m) max (see **figure 2**).



4. Install Cam onto Cam Latch with supplied Split Washer and Serrated Nut (see **figure 3**).



5. Install the Rotary Latch to the Latch Bracket with supplied 1/4"-20 Bolts (2) and secure to Enclosure Bracket with supplied #10-32 Bolts (4). Ensure that the Rotary Latch is installed so the Cam rotates and engages the Override Latch (left side mount shown) (see **figure 3**).



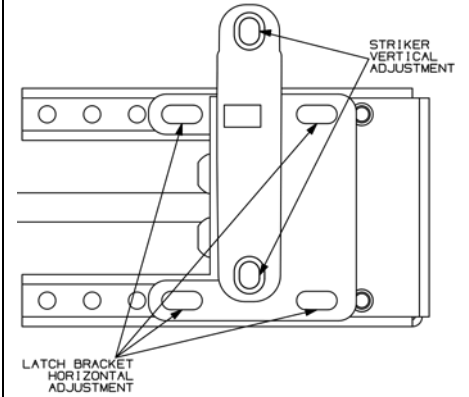
6. Place supplied Two-Sided tape onto the back side of the Striker and install Striker onto the Rotary Latch.



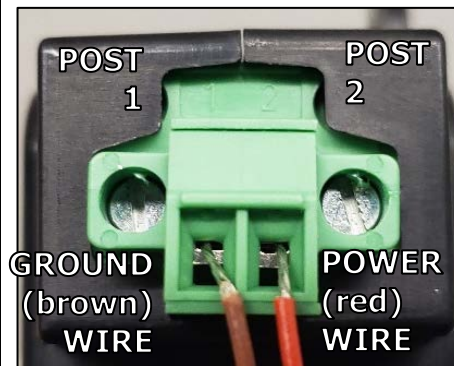
7. Close the cabinet door and lock into position. Engage the mechanical override on the ACK and open the cabinet door. The Striker will be positioned onto the inside of the cabinet door.



8. Mark the mounting locations for the Striker as it is positioned on the cabinet door. Remove Striker from door and remove all the Two-Sided tape from the door and Striker. Mount Striker to the cabinet door using the proper NEMA rated mounting hardware (not included).



9. Close the cabinet door and ensure that the ACK is working properly. If needed adjust the Striker or Latch Bracket to eliminate any interference. The mounting holes for both the Striker and Latch Bracket are slotted for adjustment.



10. IF USING CONTROL POWER OPTION:

Connect the wires of the Wire Harness to the VeriSafe Absence of Voltage Tester (AVT) and the desired power source per the wiring schematic.

POWER SOURCE REQUIREMENTS

- 12-24 VDC
- Operating current to be less than 500mA at 12 VDC

11. VS-ACK-BATTERY POWER OPTION:

Connect the wires of the Wire Harness to the VeriSafe Absence of Voltage Tester (AVT) and the VS-ACK-BATTERY kit.

- Ground (brown) wire to post 1
- Power (red) wire to post 2



12. Install the Wire Harness to the Rotary Latch.

VS-ACK-EXT Install Instructions

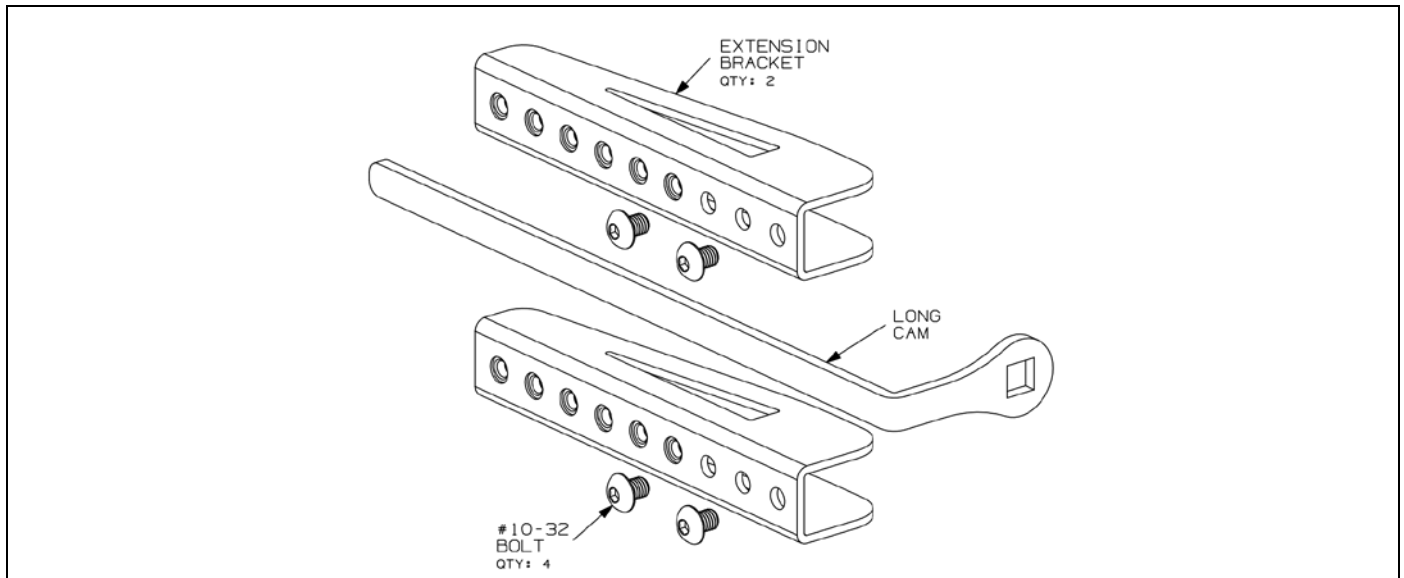


Figure 6 - Components of the VeriSafe Access Control Kit – Extension Kit (VS-ACK-EXT)

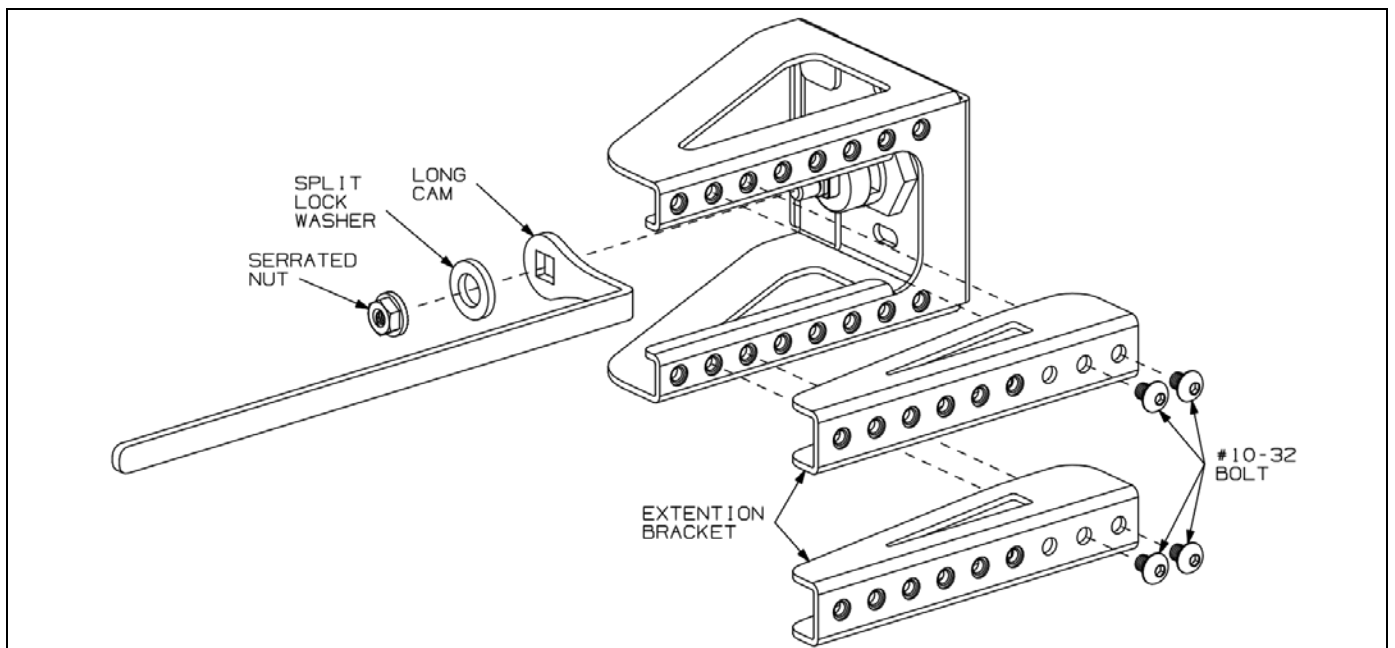


Figure 7 – Quick Assembly Guide – Extension Kit (VS-ACK-EXT)

Installation Instructions

In the case of the cabinet having a door lip greater than 5-1/8 inches the VS-ACK-EXT kit will need to be installed onto the VS-ACK-CPWR kit.

- Locate position for the knockout hole by measuring 5-13/64 inches from the surface where the cabinet door seats to the desired mounting location on the side of the cabinet.
- Replace Short Cam (supplied in VS-ACK-CPWR kit) with the Long Cam (supplied in VS-ACK-EXT kit).
- Install the Extension Brackets onto the Enclosure Bracket with supplied #10-32 Bolts (4). See **figure 7**.

Commissioning Checklist

- Visually inspect the ACK:
 - **Mechanical Override:** Verify that the Cam engages the override latch on the Rotary Latch.
 - **Striker:** Verify that the Striker is properly aligned with the Rotary Latch.
 - **Enclosure Bracket:** Ensure that the Mounting Nut is tightened to 88 IN*LB (10 N*m) max and that the Enclosure Bracket does not rotate. If rotation occurs, there are four (4) #10-32 clearance slots where additional bolts can be added to the Enclosure bracket.
 - **Wire Harness:** Verify that the cable is locked into place on the Rotary Latch. Also verify that the wire leads are securely terminated to the AVT and the power source by gently pulling on each wire lead.
- Record changes to panel documentation.
- Verify that the mechanical override is properly working before closing the panel door.
- Close panel door and secure.



Warning: Always follow your company's safety procedures when energizing equipment. To avoid electric shock, use proper personal protective equipment when working on or near electrical hazards.

- Energize the system.
- Verify that the red Voltage Presence Indicators are illuminated.
- Verify that entry into the cabinet is prohibited by the Access Control Kit.
- De-energize the system.
- Press the Test Button on the AVT Indicator Module to begin the absence of voltage test. Look for the yellow Caution Indicator to flash and then the green Absence of Voltage Indicator should illuminate.
- Verify that entry is allowed into the cabinet.

Maintenance

Visual Inspection

- Periodically inspect the Access Control Kit and replace any damaged parts, cables or terminations.
- Inspect the Access Control Kit Wire Harness to ensure it is locked into place on the Rotary Latch and does not show signs of damage.
- The Procedure described in the Commissioning Checklist can be performed at any time.