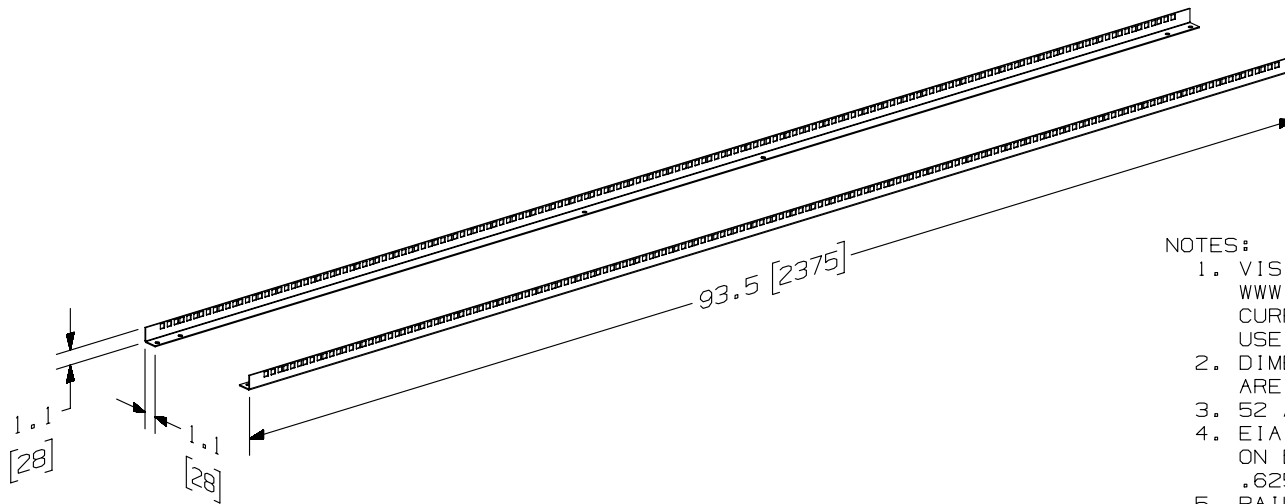


THIS COPY IS PROVIDED ON A RESTRICTED BASIS AND IS NOT TO BE USED IN ANY WAY DETRIMENTAL TO THE INTERESTS OF PANDUIT CORP.

PANDUIT P/N	WEIGHT
R4PRCN96	7.9 LBS/EACH 3.6 Kgs/EACH



NOTES:

- VISIT OUR ON-LINE CATALOG AT [WWW.PANDUIT.COM](http://WWW.PANDUIT.COM) FOR A LIST OF CURRENT PARTS APPLICABLE FOR USE WITH THIS PRODUCT.
- DIMENSIONS IN PARENTHESIS ARE METRIC.
- 52 AVAILABLE RACK SPACES.
- EIA UNIVERSAL STANDARD HOLE PROGRESSION ON BOTH RAILS  
.625", .625", .500", .625", .625", .500"...ETC.
- RAILS WILL MOUNT ON PANDUIT'S R4P SERIES OF 8 FOOT 4 POST RACKS.
- PART INCLUDES:
  - 1- 8 FOOT CAGENUT LEFT REAR/RIGHT FRONT RAIL
  - 1- 8 FOOT CAGENUT RIGHT REAR/LEFT FRONT RAIL
  - 6- 5/16-18 X 3/4" SERRATED HEX WASHERHEAD BOLTS
  - 6- 5/16-18 DUAL WELD NUTS
  - 6- 5/16 GROUND WASHERS
- RU SPACING NUMBERS ARE CLEARLY PRINTED ON MOUNTING RAILS.
- RAILS CAN MOUNTED NUMBERS UP OR NUMBERS DOWN. SEE 4 POST RACK INSTRUCTION SHEET FOR INSTALLATION METHOD.

						TITLE		8 FOOT 4 POST CAGENUT RAILS KIT				
						CUSTOMER DRAWING						
						ITEM REVISION NAME		V10679JJ/00				
						DATASET FILE NAME		V10679JJ_DC/00B				
						UNLESS OTHERWISE SPECIFIED, DIMENSIONAL TOLERANCES ARE: IN ( mm )		MATERIAL:				
						.X ±		.XXX ±				
						.XX ±		ANGLES ±				
								THIRD ANGLE PROJECTION				
OOB 2-17-15 BAME NAGL KRKE UPDATED TITLE BLOCK						V10679JJ-DC		DRAWING NUMBER: V10679JJ-DC				
OOA 6-6-11 BAME CMK RELEASED TO PRODUCTION						V10679JJ-DC						
REV	DATE	BY	CHK	APR	DESCRIPTION	ECN	DRAWN BY	DATE	CHK	SCALE	SHT 1 OF 1	SIZE
							BAME	6-6-11	CMK	NONE		A