



Product designation	Automatic battery chargers
Product type designation	BCF
Type	Single phase automatic battery charger 1 charging level for lead-acid batteries

Power supply

Rated voltage Us	min	VAC	100
	Max	VAC	240 ±10%

Operational frequency	min	Hz	50 ±5%
	max	Hz	60 ±5%

Power consumption	Max	VA	150
	Max	W	77

Power dissipation Max		W	9
-----------------------	--	---	---

Internal fuse		A	2
---------------	--	---	---

Charging cycle

Reference standards			IEC62368-1
---------------------	--	--	------------

Battery type			lead-acid
--------------	--	--	-----------

Battery voltage		VDC	24
-----------------	--	-----	----

Charging voltage (Uc)			27.2 VDC
-----------------------	--	--	----------

Charging current (Ic)		A	2.5
-----------------------	--	---	-----

Charging current adjustment		% Ic	Fixed
-----------------------------	--	------	-------

Protections	Main supply fuse; charging inhibition due to: 1. Short circuit at battery terminals; 2. Reverse battery polarity; 3. Low voltage at battery poles; 4. Output overload.		
-------------	--	--	--

Indications

LED reverse battery polarity			Yes
------------------------------	--	--	-----

Alarm output circuit

Output type			1 relay
-------------	--	--	---------

Rated capacity			AC1: 3A 250VAC
----------------	--	--	----------------

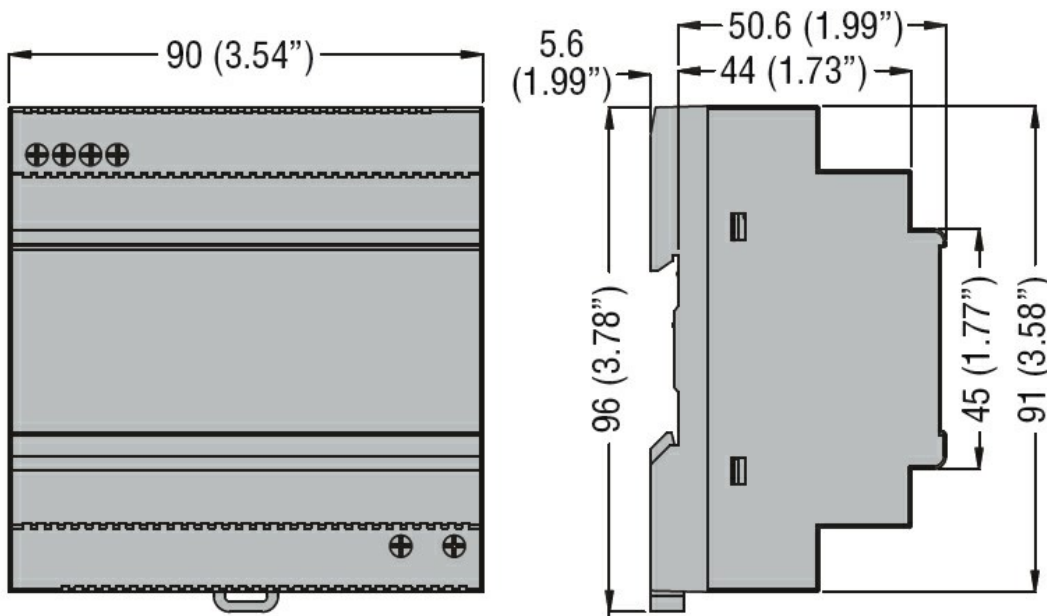
Mechanical features

Housing type			Modular DIN rail mounting
--------------	--	--	---------------------------

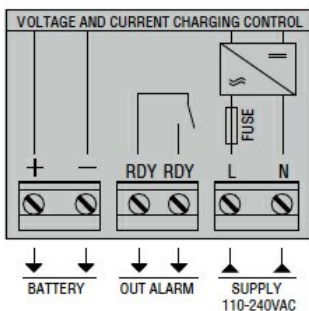
Terminals type			Fixed
----------------	--	--	-------

Fixing	35mm DIN rail or Screw fixing		
Weight	g	332	
Ambient conditions			
Temperature			
Operating temperature			
	min	°C	-40
	max	°C	+51
Storage temperature			
	min	°C	-40
	max	°C	+85
Protection degree	IP20		

Dimensions



Wiring diagrams



Certifications and compliance

Compliance

- IEC/EN/BS 60100-6-2
- IEC/EN/BS 61000-6-3
- IEC/EN/BS 62368-1

Certificates

- cURus
- EAC

ETIM classification

ETIM 8.0

EC000359 - Universal charger