



Enclosures with cut-outs for Ø22mm units - with hole for 1 actuator  
LPZM

Product designation

Product type designation

**General characteristics**

Colour Grey

IEC degree of protection IP66 and IP67

**Mechanical features**

Weight g 349

**UL technical data**

UL degree of protection NEMA 4X

**Ambient conditions**

Temperature

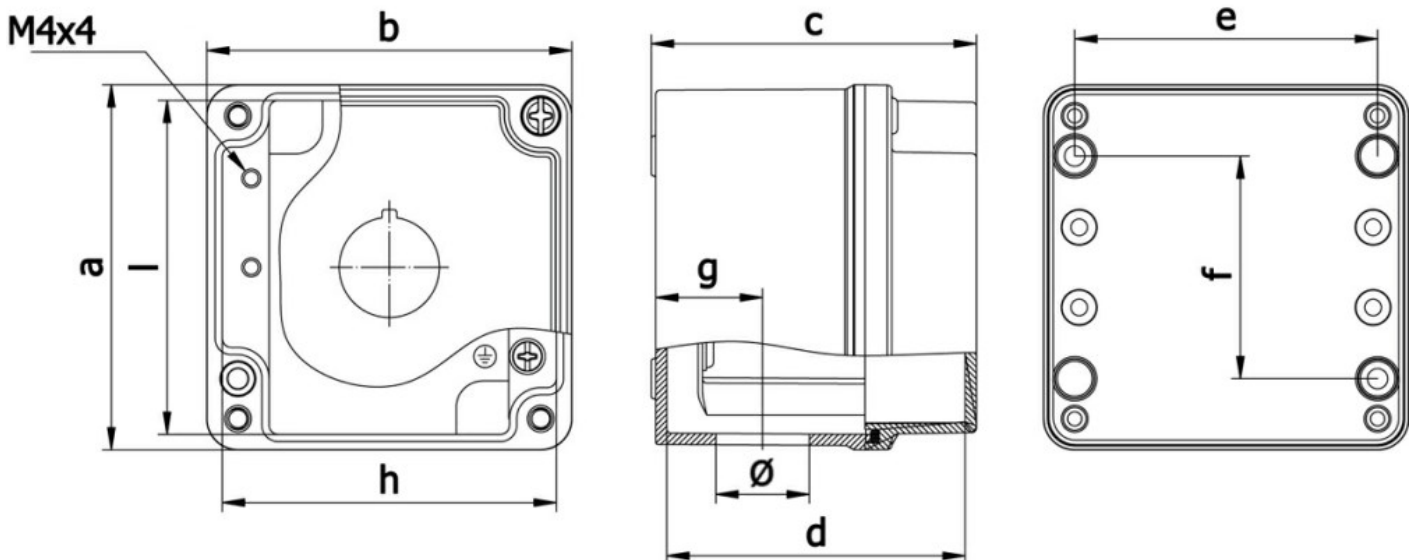
Operating temperature

min °C -25  
max °C +70

Storage temperature

min °C -40  
max °C +85

**Dimensions**



a	b	c	d	e	f	g	h	l	Ø
80	80	73	67	68	50	24	75	75	21

**Certifications and compliance**

Compliance

CSA C22.2 n° 14

IEC/EN 60947-1

IEC/EN 60947-5-1

UL508

Certificates

cULus

EAC

ETIM classification

ETIM 8.0

EC000200 -  
Enclosure for  
control circuit  
devices