

Part number

CMCEF 16 N



Female insert, CMCE series, crimp connection, 32 + 4 poles + PE (2 inserts), 16 A 400/690 V 6 kV 3 / 16 A 500 V 6 kV 3, size "104.62", black colour

Product description	
Product type	Insert
Series	CMCE
Connection type	Crimp connection
Gender	Female
N. of poles	32 poles +
Auxiliary poles	2 poles
Size	Size "104.62"
Specification	Black colour
Technical data	
Current	16 A
Voltage	400 - 690 V
Rated impulse withstand voltage	6 kV
Pollution degree	3
Rated voltage according to UL/CSA	600 V
IP degree of protection	IP20 without enclosure, IP65/IP66 with enclosure
Further technical details	
Characteristics according to EN 61984	16A 830V 8kV 3 (aux: 16A 500V 6kV 3); 16A 1000V 8kV 2 (power contacts only)
Mating cycles	≥ 500
Insulation resistance	≥ 10 GΩ
Contact resistance	≤ 1 mΩ
Weight	67,00 g
Operating temperature range (min, max)	-40 °C ... +125 °C
UL 94 flammability rating	V-0

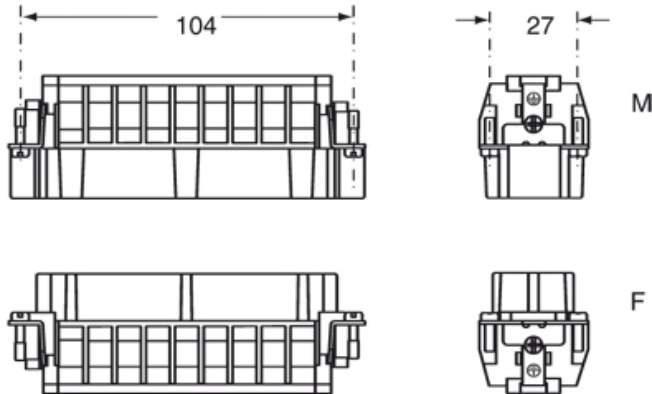
Material properties	
Main material	Polycarbonate (PC)
Colour	RAL 9005 black
RoHs conformity	Compliant
China RoHs - EFUP	E
REACH SVHC substances	No
Approvals / Standards	
Reference standard	EN 61984:2009-06
Certifications	CSA, CQC, DNV, BV, EAC
UL	ECBT2
General ordering information	
EAN13 code	8015747136143
ETIM 7.0	EC000438
Packaging Information	
Packaging length	270,00 mm
Packaging height	75,00 mm
Packaging width	180,00 mm
Packaging weight	2,51 kg
Packaging volume	3,65 dm ³
Packaging description	Carton box
Packaging quantity	30 Pcs
Packaging EAN code	8015747136273
Sub-packaging length	113,00 mm
Sub-packaging height	36,00 mm
Sub-packaging width	180,00 mm
Sub-packaging weight	0,42 kg
Sub-packaging volume	0,73 dm ³
Sub-packaging description	Carton tray
Sub-packaging quantity	5 Pcs
Sub-packaging EAN barcode	8015747136280

Part number

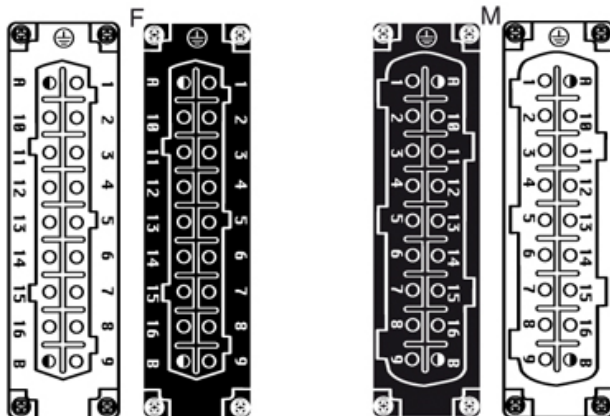
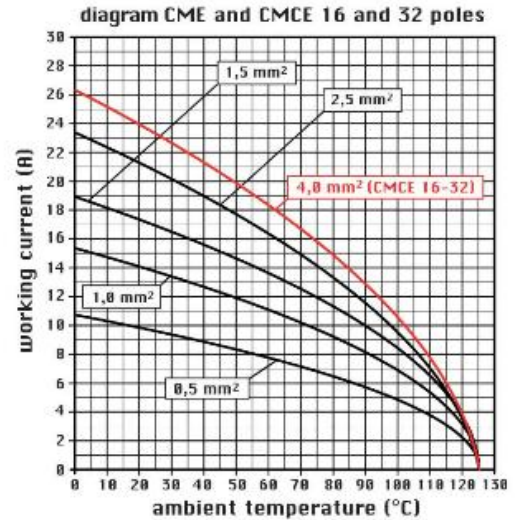
CMCEF 16 N



Catalogue drawings



Catalogue drawings



Notes

CMCEF/M 16 N inserts

- the auxiliary contacts are the same as power contacts: early opening is obtained by drawing back the seats
- characteristics according to EN 61984:
 - 16A 400/690V 6kV 3
 - 16A 1000V 8kV 2
 - 16A 720/1250V 8kV 2
- auxiliary contacts: 16A 500V 6kV 3
- rated voltage according to UL/CSA: 600V
- insulation resistance: > 10 GOhm
- ambient temperature limit: -40 °C ... +125 °C
- are made of self-extinguishing thermoplastic resin UL 94 V0
- mechanical life: > 500 cycles

- contact resistance: < 1 mOhm
- enclosures: size 104.62:
 - C-TYPE IP65/IP66
 - W-TYPE aggressive environments

Dimensions shown in mm are not binding and may be changed without notice.

California Proposition 65 Information



WARNING

This product can expose you to nickel compounds, known to the State of California to cause cancer and/or reproductive toxicity. For more information go to www.P65Warnings.ca.gov.
