

# Fuse base & accessories

for NF/UTE high voltage fuse links

## FUSE HOLDERS, FUSE BASES AND SUPPORTS

### IEC HV FUSE SUPPORTS



#### FEATURES & BENEFITS

- Easy to use
- For indoor use

#### STANDARDS

- IEC 60282-1

Fuse bases for NF/UTE HTA fuse-links with dimensions 55x520mm (French standard).

The indicating device enables electrical actuating of the opening mechanism for a circuit or triggering of an indicator during the melting of a fuse equipped with a trip-indicator.

This very robust and original device means freedom for any mechanical system and offers the advantage of being able to incorporate a microswitch unit or units according to the equipment configuration.

#### TECHNICAL DATA OVERVIEW

Body Material	Base plate: galvanized steel Terminal lug: nickel-plated copper Screws: galvanized steel Clip: nickel-plated copper Clip spring: Stainless steel
---------------	--

# Fuse base & accessories

for NF/UTE high voltage fuse links

## PRODUCT RANGE

### Fuse Holder

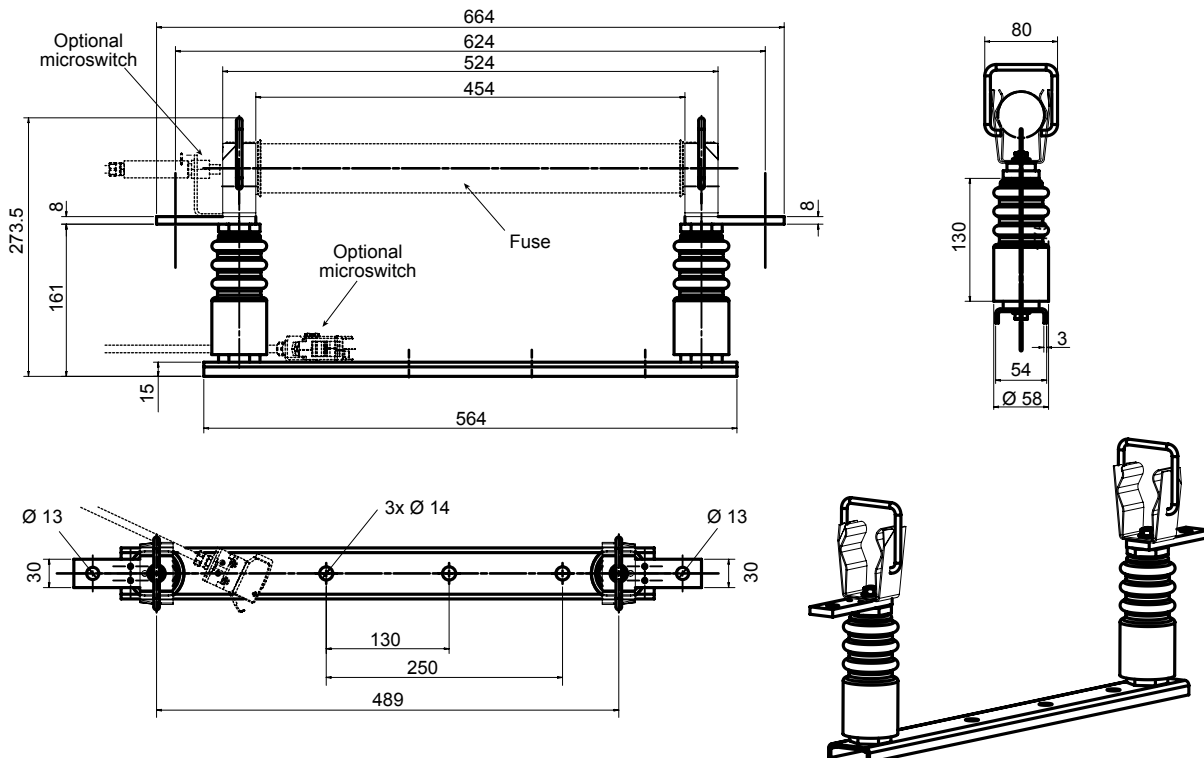
Catalog number	Item number	Rated voltage AC (IEC)	Dielectric withstand between live parts and earth (50 Hz - 1 min)	Package	Weight
SI130-55-520	K092354	7.2 kV	20 kV	1	2.8 kg
SI175-55-520	Q092934	12 kV	28 kV	1	3.6 kg
SI210-55-520	R092935	24 kV	50 kV	1	4.8 kg
SI300-55-520	L092355	36 kV	70 kV	1	6.8 kg

### Indicating Device

Catalog number	Item number	Rated voltage of corresponding fuse-holder	Indication System	Design	Length	Package	Weight
MC1-5NFLEXQ	E092694	7.2 kV	1 microswitch	Length flexible part: 395mm	560 mm	1	0.21 kg
MC1-5NFLEXQ640	T092615	12-36 kV	1 microswitch	Length flexible part: 545mm	710 mm	1	0.22 kg
MC1-9NFLEXQ	F092695	7.2 kV	2 microswitches	Length flexible part: 395mm	560 mm	1	0.22 kg
MC1-9NFLEXQ640	K078945	12-36 kV	2 microswitches	Length flexible part: 545mm	710 mm	1	0.23 kg

## DIMENSIONS

### HV Fuse base 55x520 7.2kV



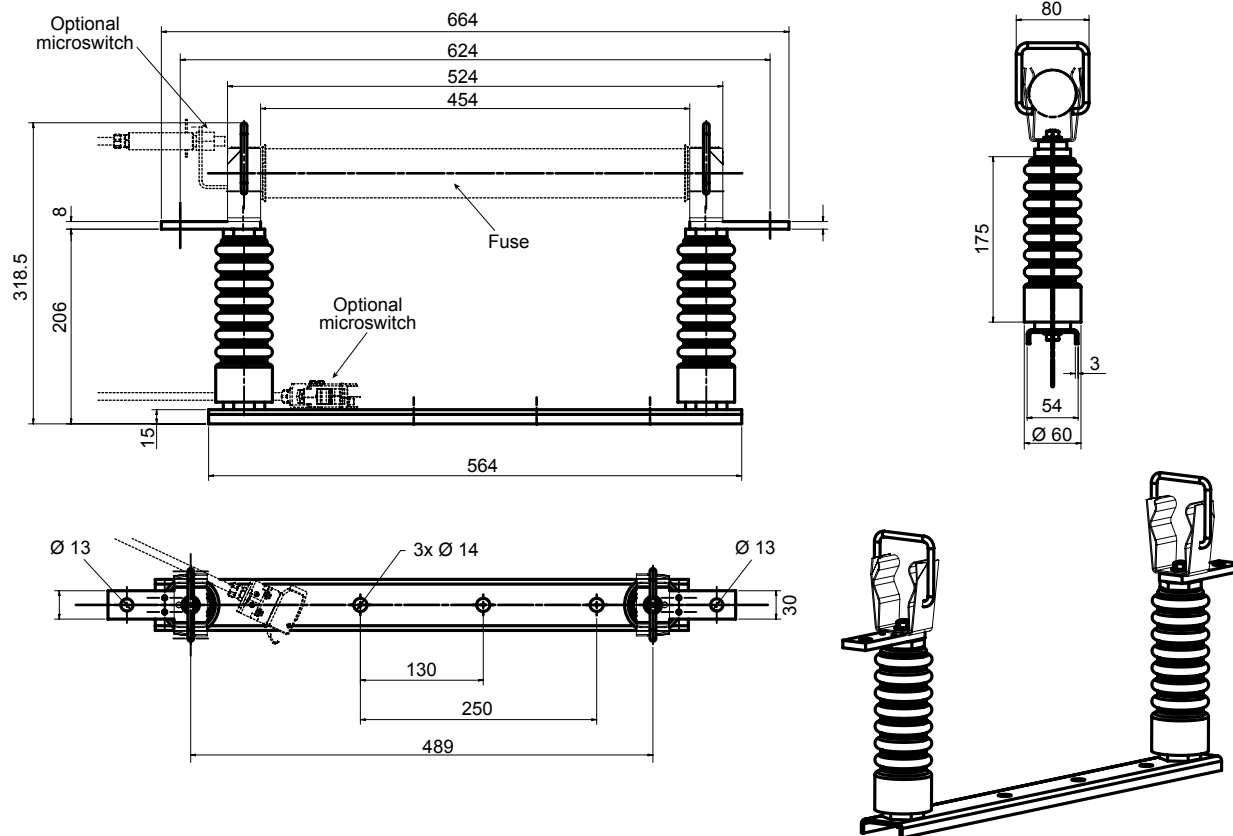
Dimensions in mm

# Fuse base & accessories

for NF/UTE high voltage fuse links

## DIMENSIONS

### HV Fuse base 55x520 12kV



Dimensions in mm

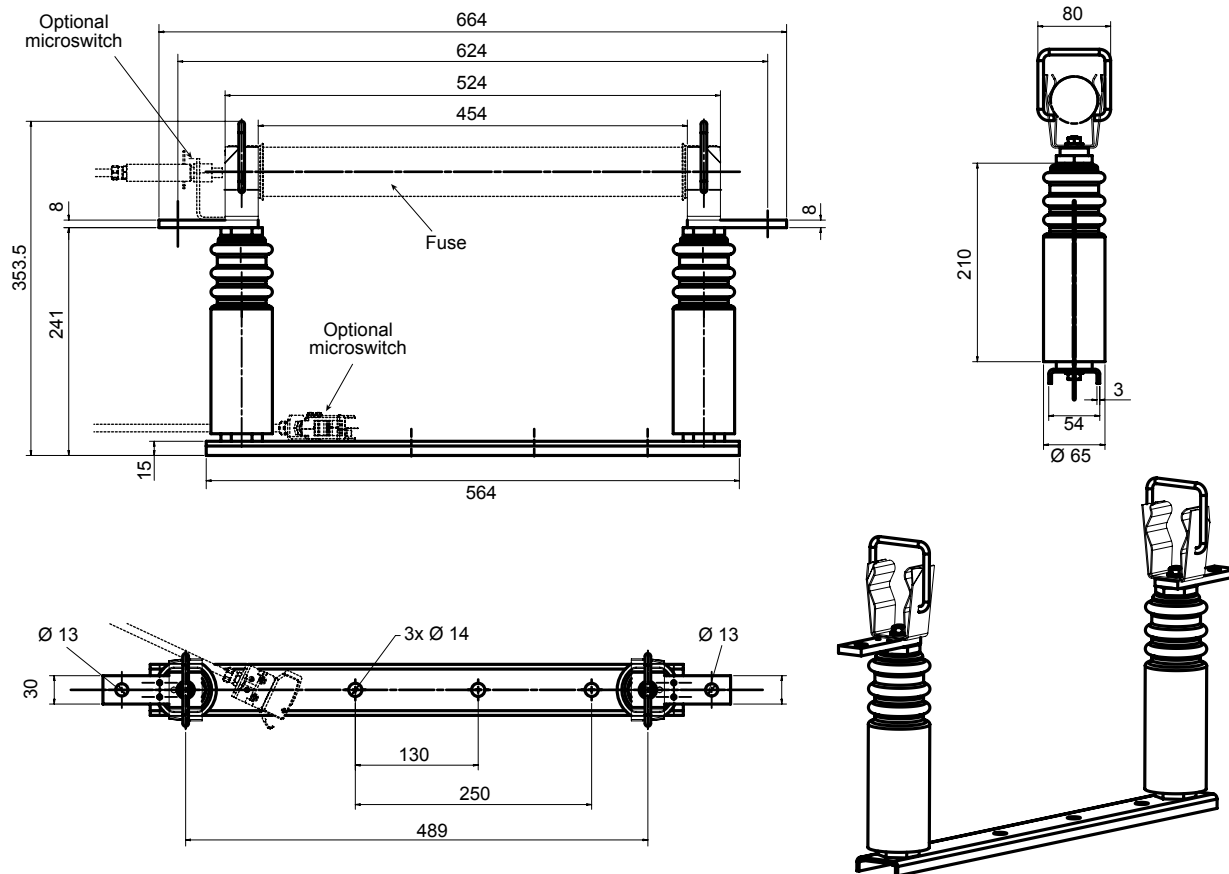
MERSEN reserves the right to change, update or correct, without notice, any information contained in this datasheet.

# Fuse base & accessories

for NF/UTE high voltage fuse links

## DIMENSIONS

### HV Fuse base 55x520 24kV



Dimensions in mm

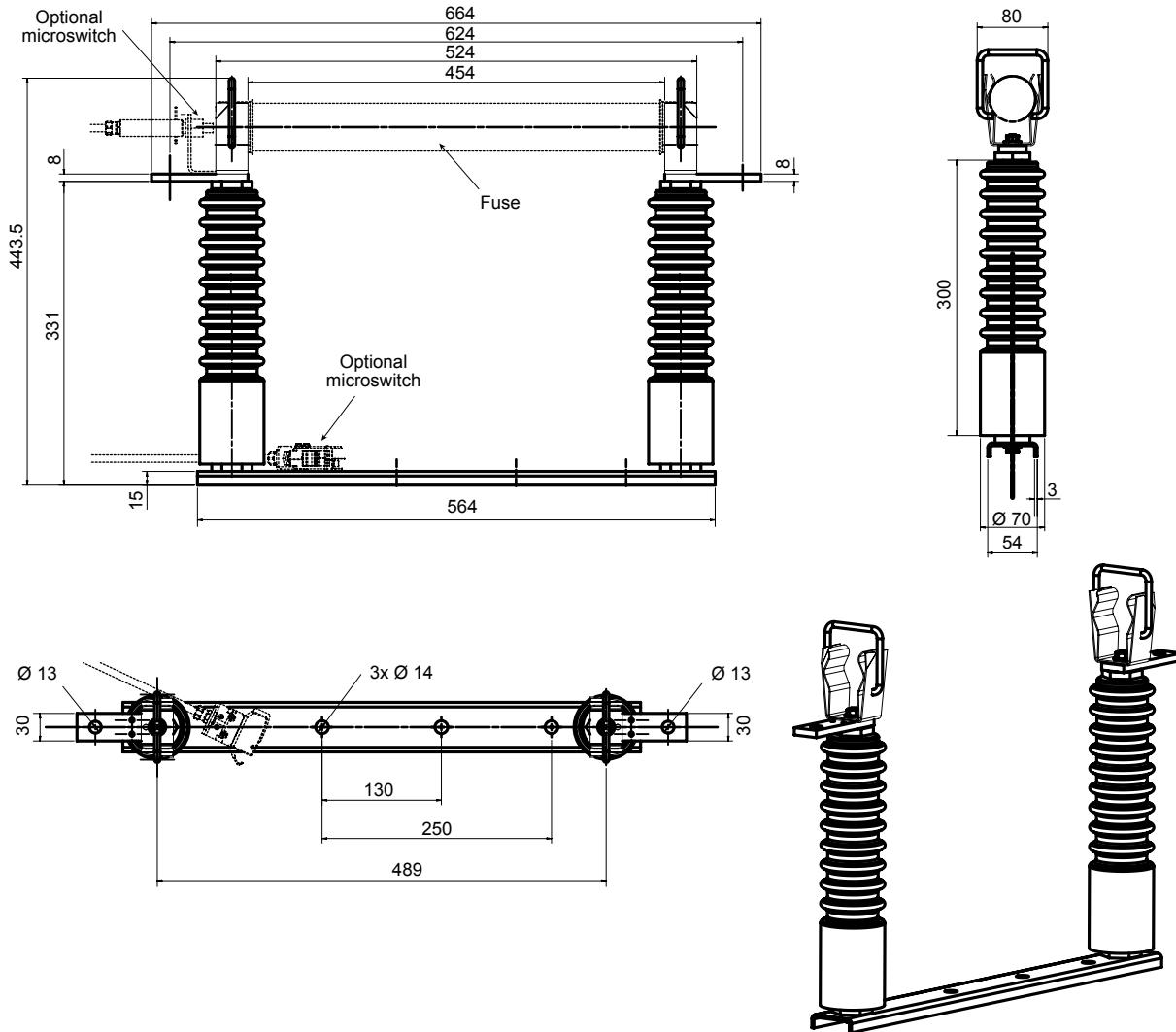
MERSEN reserves the right to change, update or correct, without notice, any information contained in this datasheet.

# Fuse base & accessories

for NF/UTE high voltage fuse links

## DIMENSIONS

### HV Fuse base 55x520 36kV



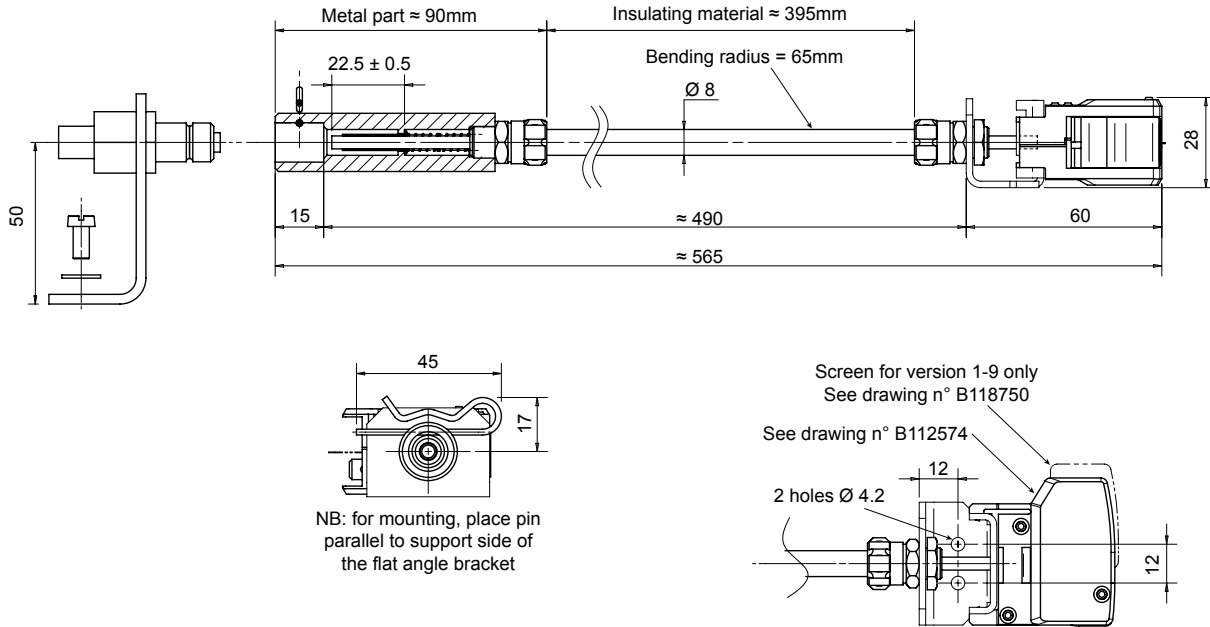
Dimensions in mm

# Fuse base & accessories

for NF/UTE high voltage fuse links

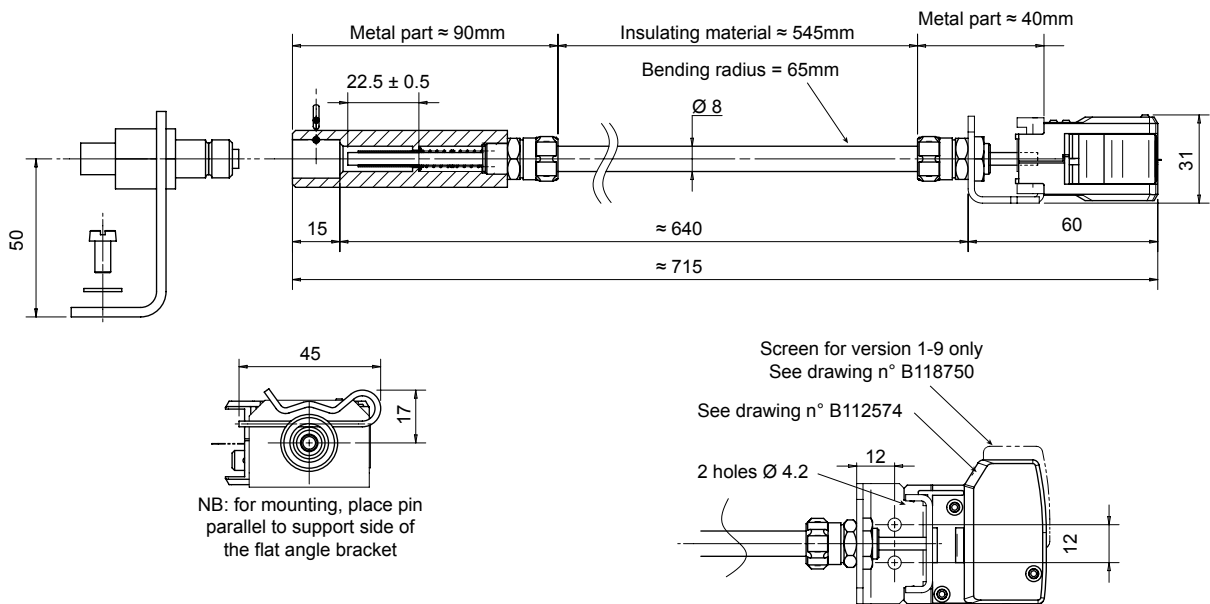
## DIMENSIONS

### Indicating device



Dimensions in mm

### Indicating device



Dimensions in mm

MERSEN reserves the right to change, update or correct, without notice, any information contained in this datasheet.