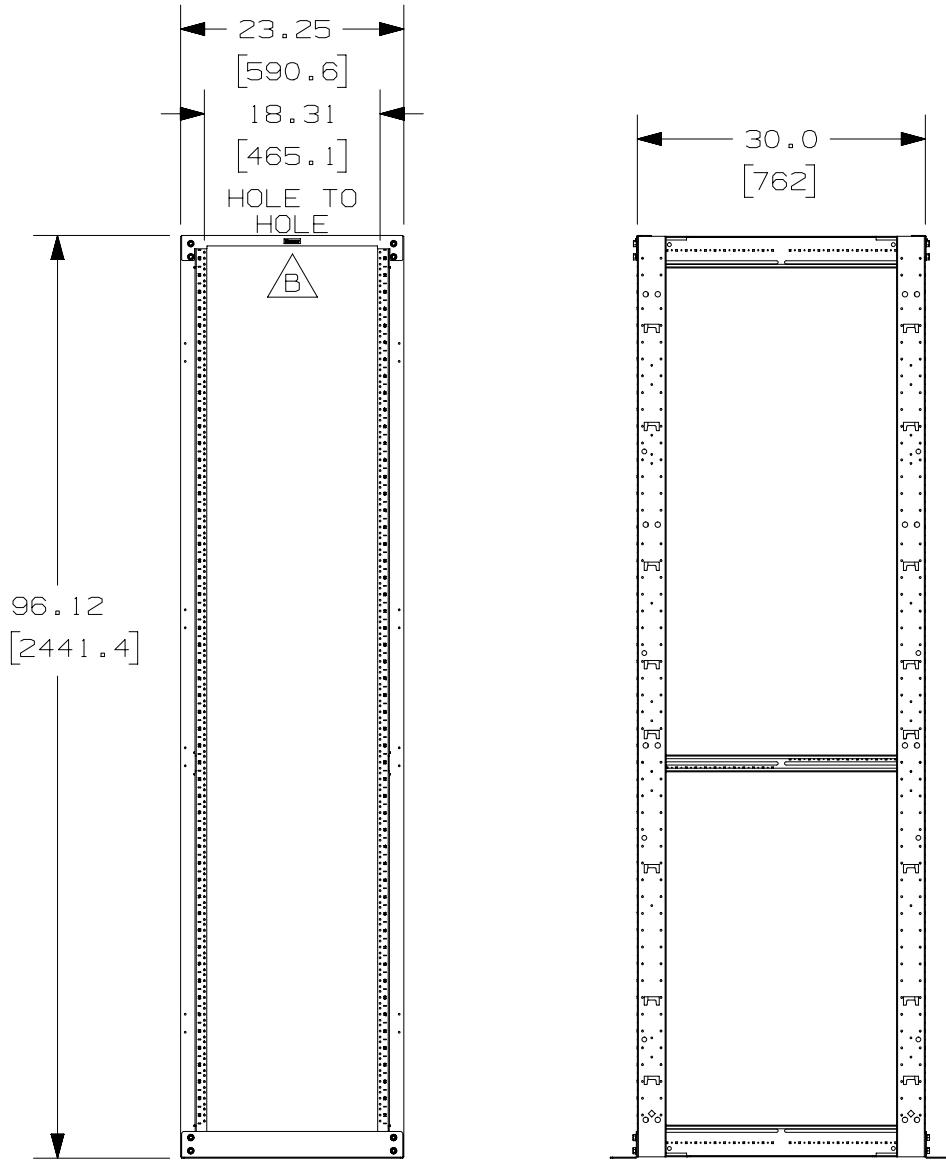



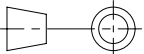
THIS COPY IS PROVIDED ON A RESTRICTED BASIS AND IS NOT TO BE USED IN ANY WAY DETRIMENTAL TO THE INTERESTS OF PANDUIT CORP.



PANDUIT P/N	WEIGHT
R4P96	116 LBS/EACH 52.5 Kg/EACH
R4PCN96	106 LBS/EACH 48.0 Kg/EACH

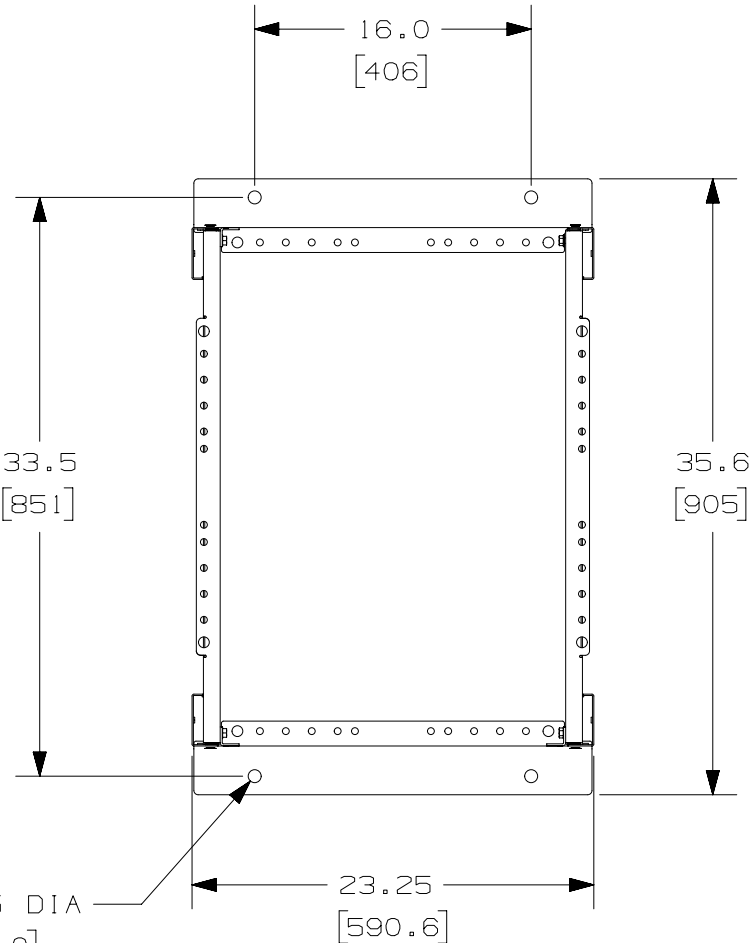
NOTES:

- VISIT OUR ON-LINE CATALOG AT WWW.PANDUIT.COM FOR A LIST OF CURRENT PARTS APPLICABLE FOR USE WITH THIS PRODUCT.
- DIMENSIONS IN PARENTHESIS ARE METRIC.
- INDEPENDENT ADJUSTABLE FRONT & REAR MOUNTING RAILS (EIA) ADJUST FROM 2.75" TO 30" DEPTH.
- CAN BE USED WITH ANY EIA STANDARD COMPONENT IN ADDITION TO ALL PANDUIT HORIZONTAL CABLE MANAGEMENT AND PATCH PANEL PRODUCTS.
- 52 AVAILABLE RACK SPACES.
- EIA UNIVERSAL STANDARD HOLE PROGRESSION ON FRONT CHANNELS AND REAR MOUNT RAILS .625", .625", .500", .625", .625", .500"...ETC.
- ALL RACKS WILL HAVE NUMBERS UP ORIENTATION (RU "01" ON BOTTOM, RU "52" ON TOP). INSTRUCTIONS WILL BE PROVIDED ON HOW TO GET NUMBERS DOWN ORIENTATION.
- RU SPACING NUMBERS ARE CLEARLY PRINTED ON MOUNTING RAILS.
- ALL ASSEMBLY HARDWARE INCLUDED:
 - (16) 3/8-16 X 1" BLACK HEX BOLT
 - (16) 3/8" PAINT PIERCING GROUNDING WASHER
 - (1) TUBE OF ANTI-OXIDIZING PASTE
 - (25) 12-24 X .5" SLOTTED PAN HEAD STEEL SCREW
 - (25) #12-24 CAGE NUTS (ONLY PROVIDED FOR R4PCN96)
- EASY ASSEMBLY, ONE WRENCH NEEDED TO INSTALL BOLTS INTO WELDNUTS IN ALL 8 CORNERS.
- FULLY BONDED STRUCTURE WHEN ASSEMBLED PER INSTRUCTIONS.
- LOAD RATING - 2500 LBS.

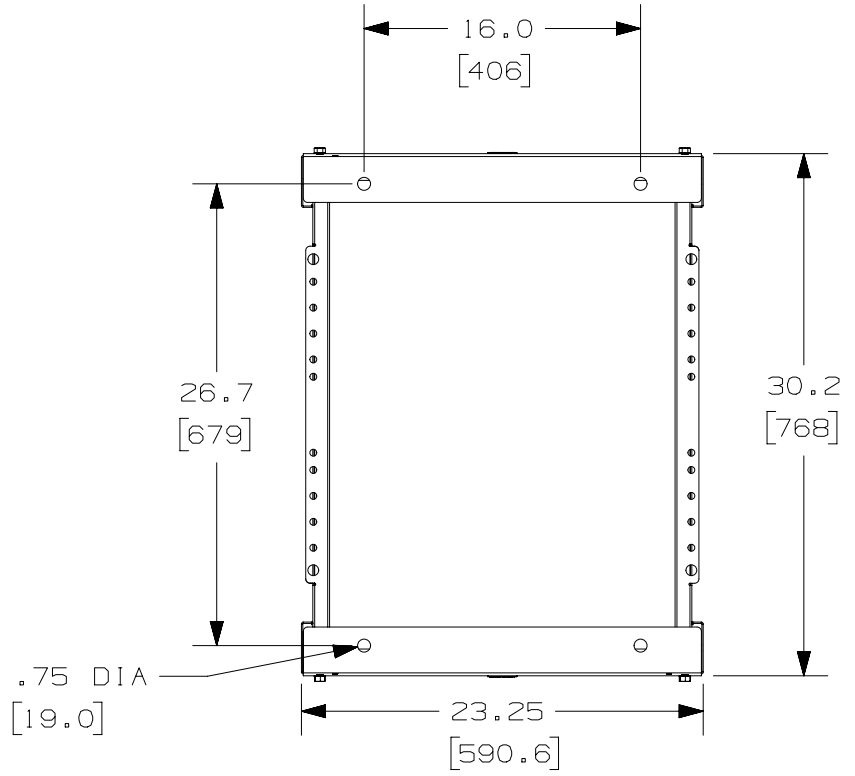
TITLE 8 FOOT 30" DEEP 4 POST RACK (R4P96/R4PCN96)					
CUSTOMER DRAWING					
ITEM REVISION NAME V10679AH/05			 MATERIAL: STEEL DRAWING NUMBER: V10679AH-DC		
DATASET FILE NAME V10679AH_DC/05A					
UNLESS OTHERWISE SPECIFIED, DIMENSIONAL TOLERANCES ARE: IN (mm)					
.X ± .XXX ± .XX ± ANGLES ±  THIRD ANGLE PROJECTION					
DRAWN BY BAME	DATE 7-2-09	CHK DSI	SCALE NONE	SHT 1 OF 3	

REV	DATE	BY	CHK	APR	DESCRIPTION	ECN
05A	7-7-16	BAME	RYB	KRKE	ADDED NOTE TO PAGE 3	M09000EF
04A	4-10-13	PM	BKA	CMK	B. REPLACED PANDUIT LABEL A. REPLACED DRAWING BORDER	V10679AH-DC
01A	10-9-09	BAME	DPN	CMK	ADJUSTED LOAD RATING HEIGHT WAS 96.00	V10679AH-DC
00A	7-2-09	BAME	DSI	CMK	RELEASED TO PRODUCTION	V10679AH-DC

D10100DA/14



FLOOR FOOTPRINT WITH
BASE ANGLES TURNED
OUTWARD FOR EXTENDED
FOOTPRINT



FLOOR FOOTPRINT WITH
BASE ANGLES TURNED INWARD

REV	DATE	BY	CHK	APR	DESCRIPTION	ECN
05A	7-7-16	BAME	RYB	KRKE	SEE SHEET 1 OF 3 FOR REVISIONS	M09000EF
04A	4-10-13	PM	BKA	CMK	SEE SHEET 1 OF 3 FOR REVISIONS	V10679AH-DC
01A	10-9-09	BAME	DPN	CMK	SEE SHEET 1 OF 3 FOR REVISIONS	V10679AH-DC
00A	7-2-09	BAME	DSI	CMK	SEE SHEET 1 OF 3 FOR REVISIONS	V10679AH-DC

TITLE 8 FOOT 30" DEEP 4 POST RACK (R4P96/R4PCN96) CUSTOMER DRAWING					
ITEM REVISION NAME V10679AH/05				PANDUIT	
DATASET FILE NAME V10679AH_DC/05A					
UNLESS OTHERWISE SPECIFIED, DIMENSIONAL TOLERANCES ARE: IN (mm)					
.X ±		.XXX ±		MATERIAL: STEEL	
.XX ±		ANGLES ±		DRAWING NUMBER: V10679AH-DC	
DRAWN BY BAME		DATE 7-2-09		THIRD ANGLE PROJECTION	
CHK DSI		SCALE NONE		SHT 2 OF 3	
REV		DATE		SIZE A	

D10100DA/14

THIS COPY IS PROVIDED ON A RESTRICTED BASIS AND IS NOT TO BE USED IN ANY WAY DETRIMENTAL TO THE INTERESTS OF PANDUIT CORP.

J-HOOKS UP TO 3/8" DIA. MAY BE MOUNTED TO THE FRONT OF THE TOP ANGLES

BONUS HOLES ARE FOR MOUNTING PANDUIT ACCESSORIES. SEE NOTE 1.

MOUNTING HOLES FOR OPTIONAL POWER STRIP BRACKET. BRACKETS CAN BE MOUNTED ON ANY OF THE 4 POSTS OR ADJUSTABLE RAILS.

OPTIONAL POST HOLES FOR BRACKET MOUNTING NETRUNNER

MASKED AREA FOR GROUNDING, TOP & BOTTOM OF RACK. 4 PLACES

BASE ANGLES (SEE SHEET 2 FOR MOUNTING POSITIONS)

"J" BOLT MOUNTING HOLES FOR SECURING LADDER RACK PERPENDICULAR AND PARALLEL TO 4 POST RACK.

MOUNTING RAILS (ADJUSTABLE FROM 2.75" TO 30")

CUTOUTS ARE FOR MOUNTING PANDUIT ACCESSORIES SEE NOTE 1.

CROSS BEAMS ARE MARKED EVERY 1/2" FOR MOUNTING RAIL ALIGNMENT

MOUNTING HOLES FOR VERTICAL MANAGERS. DOUBLE HOLES ARE FOR MOUNTING PATCHRUNNER. SINGLE HOLES ARE FOR SIDE MOUNTING NETRUNNER.

RU SPACINGS ARE PRINTED ON MOUNTING RAILS

R4P96 RAILS HAVE TAPPED HOLES

R4PCN96 RAILS HAVE CAGE NUT HOLES

2

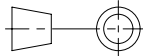
1

2

1

05A	7-7-16	BAME	RYB	KRKE	SEE SHEET 1 OF 3 FOR REVISIONS	M09000EF
04A	4-10-13	PM	BKA	CMK	SEE SHEET 1 OF 3 FOR REVISIONS	V10679AH-DC
01A	10-9-09	BAME	DPN	CMK	SEE SHEET 1 OF 3 FOR REVISIONS	V10679AH-DC
00A	7-2-09	BAME	DSI	CMK	SEE SHEET 1 OF 3 FOR REVISIONS	V10679AH-DC

REV	DATE	BY	CHK	APR	DESCRIPTION	ECN
		BAME				

TITLE						
8 FOOT 30" DEEP 4 POST RACK (R4P96/R4PCN96) CUSTOMER DRAWING						
ITEM REVISION NAME				V10679AH/05		
DATASET FILE NAME				V10679AH_DC/05A		
UNLESS OTHERWISE SPECIFIED, DIMENSIONAL TOLERANCES ARE: IN (mm)						PANDUIT MATERIAL: STEEL DRAWING NUMBER: V10679AH-DC
.X ±		.XXX ±		ANGLES ±		
.XX ±						
 THIRD ANGLE PROJECTION						
DRAWN BY	DATE	CHK	SCALE	SIZE		
BAME	7-2-09	DSI	NONE	SHT 3 OF 3		

D10100DA/14