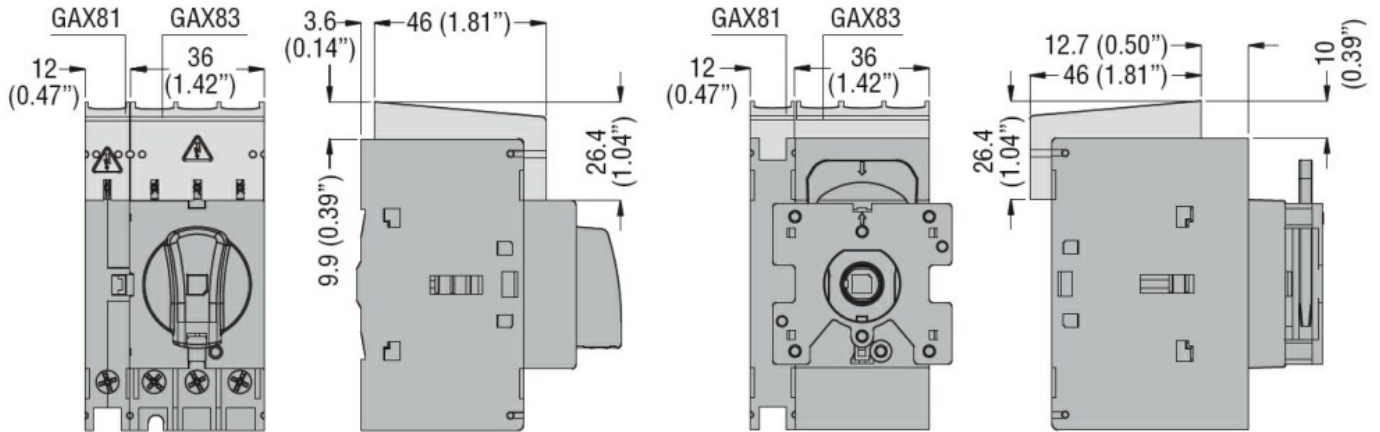


**Dimensions**



**Certifications and compliance**

**Compliance**

CSA C22.2

IEC/EN 60947-1

IEC/EN 60947-3

UL508

UL98

**Certifications**

cULus according to UL508 /CSA C22.2 n°14

EAC

**ETIM classification**

ETIM 8.0

EC002498 -  
Accessories/spare  
parts for low-  
voltage switch  
technology