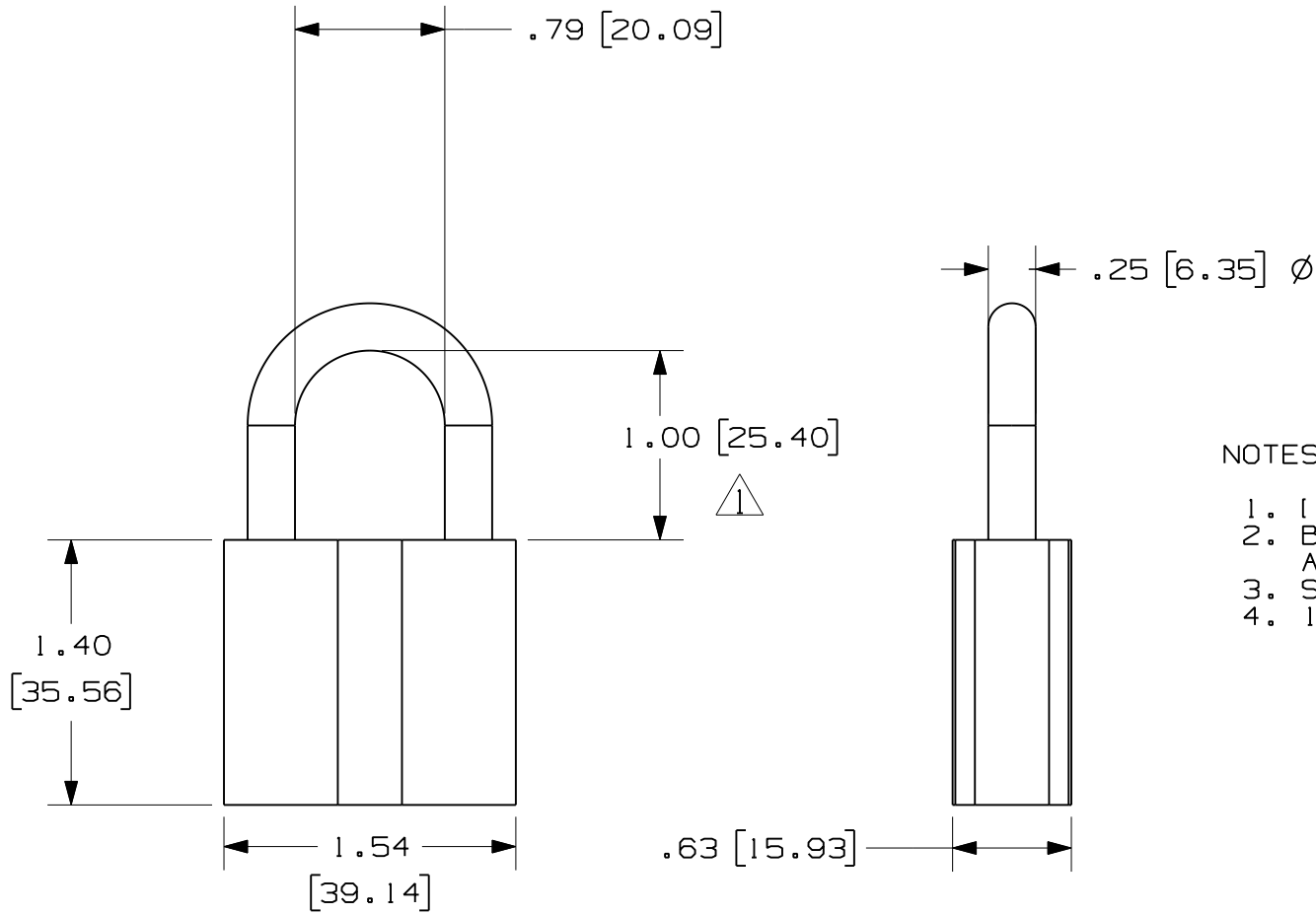


THIS COPY IS PROVIDED ON A RESTRICTED BASIS AND IS NOT TO BE USED IN ANY WAY DETRIMENTAL TO THE INTERESTS OF PANDUIT CORP.



NOTES:

1. [] DENOTE MILLIMETERS
2. BODY IS SOLID BRASS WITH A BRUSHED CHROME PLATING
3. SHACKLE IS STAINLESS STEEL
4. 10,000 KEY COMBINATION

CAD FILENAME/LAYERS 100923CP_DC_C10921/01B

PANDUIT CORP. TINLEY PARK, ILLINOIS

PSL-9 CUSTOMER DRAWING
HARSH ENVIRONMENT PADLOCK

UNLESS OTHERWISE SPECIFIED,
DIMENSIONAL TOLERANCES ARE:
(.X) ± .1 (XXX) ± .03
(.XX) ± .05 ANGLES ± 5°

UNLESS OTHERWISE SPECIFIED,
ALL DIMENSIONS ARE GIVEN
IN INCHES, THIRD ANGLE PROJECTION.

REV	DATE	BY	CHK	DESCRIPTION	ECN	R	CUST	SUP
1	10/20/11	JHAC		CHANGED SHACKLE INSIDE HEIGHT FROM 2.25 TO 1.0	6549			
0	5/11/11	JHAC		DRAWING RELEASE	6375			

DRAWN BY JHAC	MAT'L: BRUSHED CHROME PLATED BRASS	SCALE 1 : 1
DATE 05/11/11		DRAWING NO. C10921
CHK'D <i>[Signature]</i>		DWG A SIZE