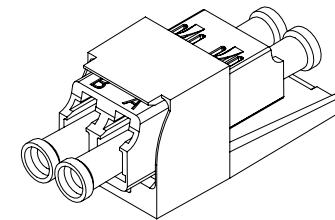
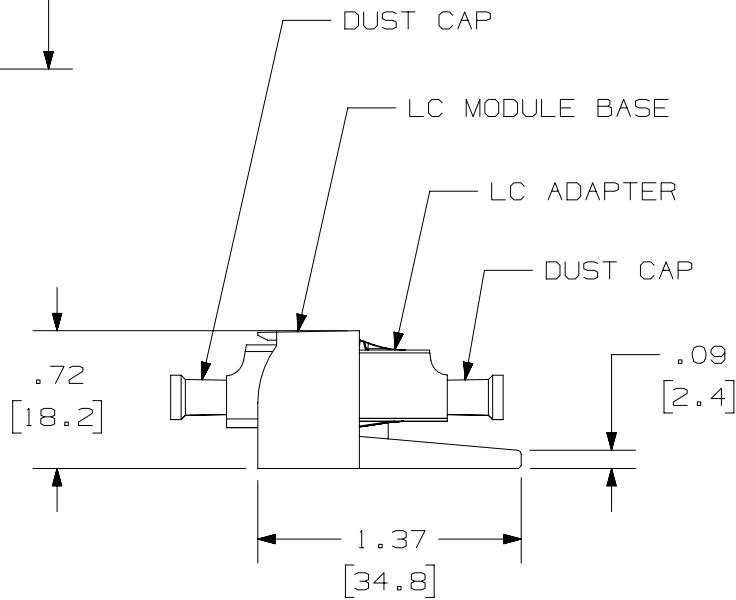
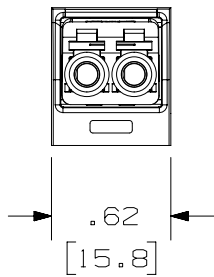
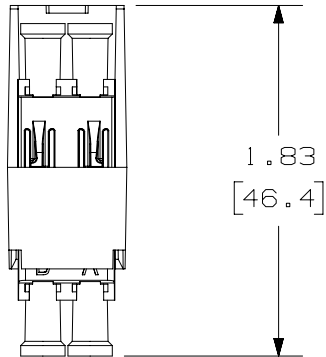


THIS COPY IS PROVIDED ON A RESTRICTED BASIS AND IS NOT TO BE USED IN ANY WAY DETRIMENTAL TO THE INTERESTS OF PANDUIT CORP.



PANDUIT P/N	WEIGHT	SPLIT SLEEVE TYPE
CMDSLCZ**	.11 lbs/10 Pcs [48.8 g/10 Pcs]	ZIRCONIA
CMDSAQLCZ**		
CMD**LCZ**		
CMDRDLCZIW/N		

NOTES:

- SEE CURRENT CATALOG FOR PART NUMBER SUFFIXES TO INDICATE COLOR OF MODULE BASE, AND/OR PACKAGE QUANTITIES.
- SEE CATALOG FOR COMPLETE LIST OF PARTS APPLICABLE FOR USE WITH THIS PART.
- MATERIALS:
 - MODULE BASE: ABS
 - ADAPTER HOUSING: PLASTIC
 - SPLIT SLEEVE: SEE TABLE
 - DUST CAP: PLASTIC
- COMPATIBLE WITH TIA/EIA-604-10 (FOCIS-10) AND TIA/EIA-568B.3
- DIMENSIONS IN BRACKETS ARE METRIC [mm]

REV	DATE	BY	CHK	APR	DESCRIPTION	ECN
01C	12-18-20	SAT	JSP	EJH	D. ADDED P/N CMDRDLCZIW/N.	00948-17
01B	05-08-19	SAT	WJM	AW	C. ADDED NON-SHUTTERED TO TITLE. B. ADDED P/N CMD**LCZ**. A. REMOVED PPHOS BRONZE.	00948-17

TITLE		MINI-COM NON-SHUTTERED DUPLEX LC FIBER OPTIC ADAPTER MODULE	
ITEM REVISION NAME		M00948AJ/01	
DATASET FILE NAME		M00948AJ_DC/01C	
UNLESS OTHERWISE SPECIFIED, DIMENSIONAL TOLERANCES ARE: IN [mm]			
.x ± .xxx ± .010 [0.3] .xx ± .03 [0.8] ANGLES ±			
THIRD ANGLE PROJECTION		PART NO.	
		DRAWING NUMBER: 00948-17	
DRAWN BY	DATE	CHK	SCALE
MC	06-26-03	KWR	NONE
SHT 1 OF 1		SIZE A	